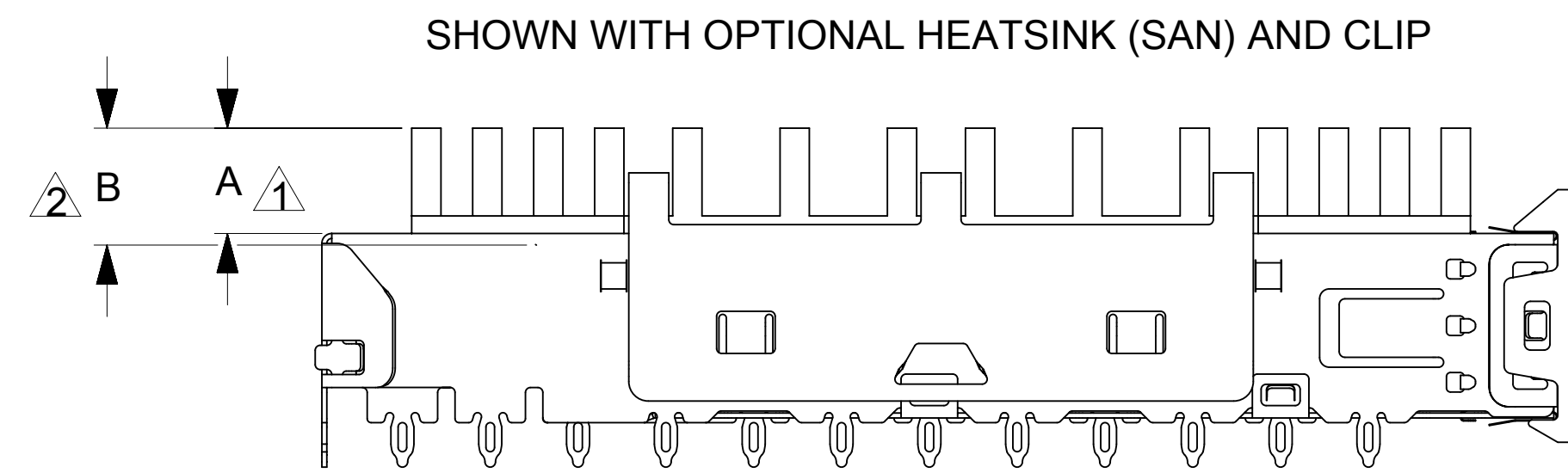
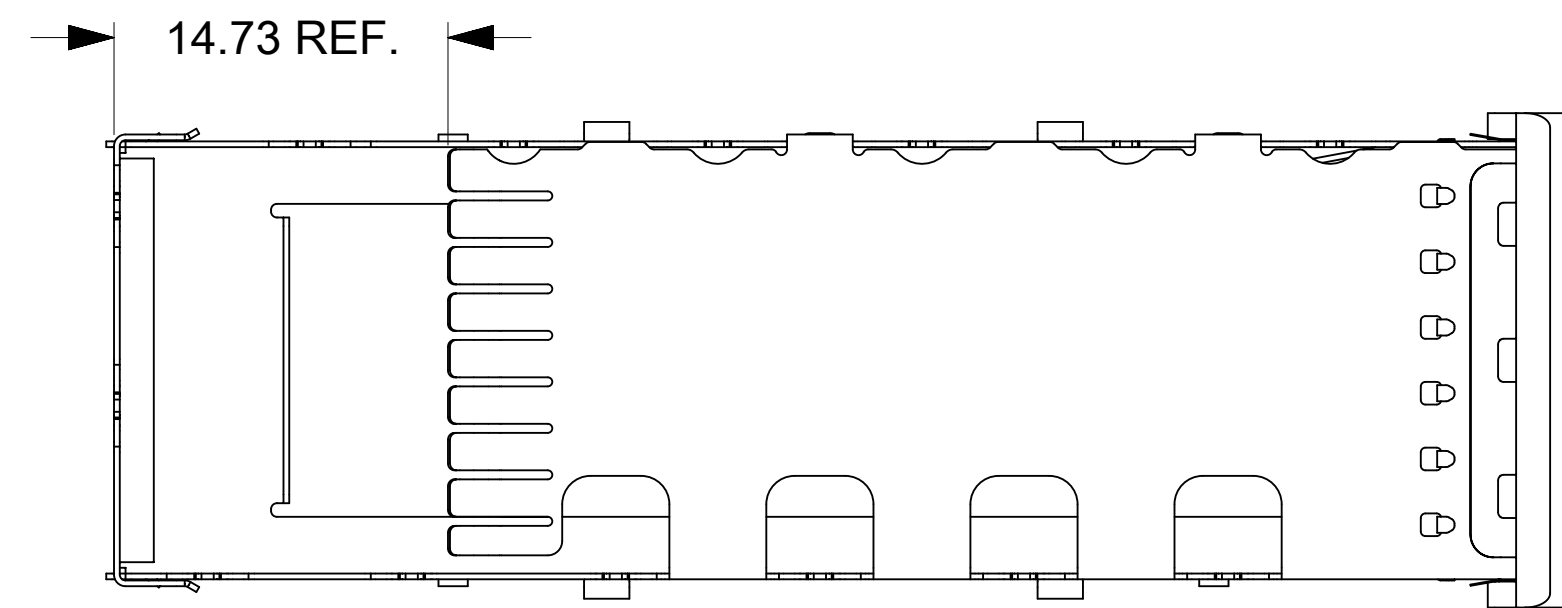
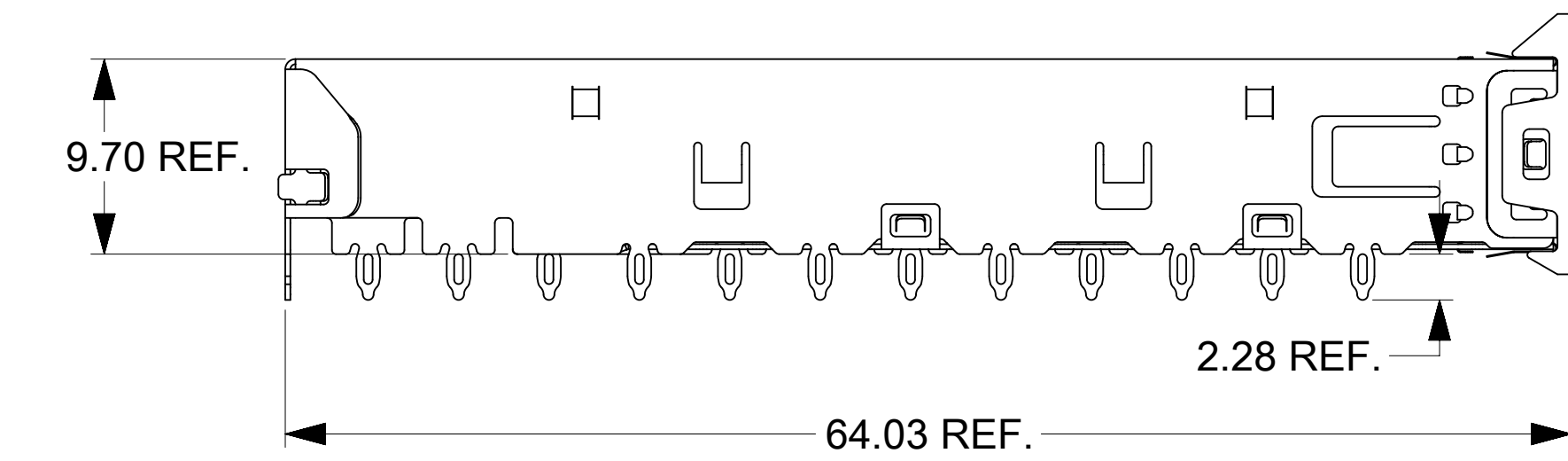
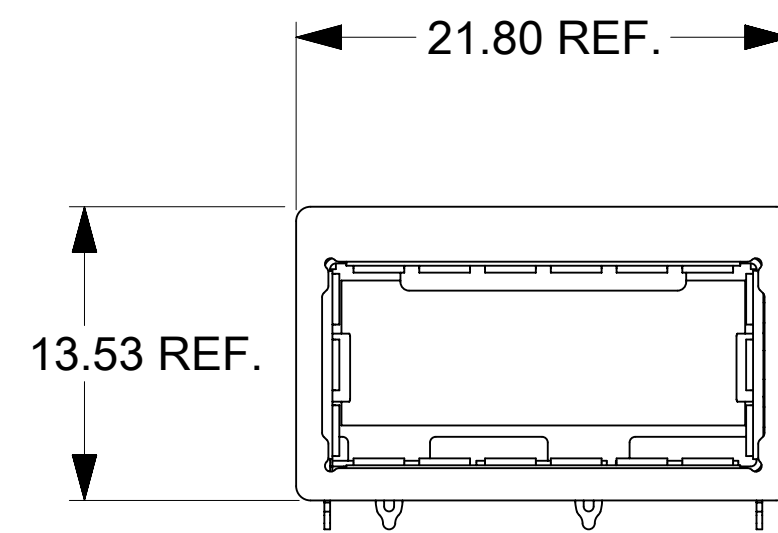


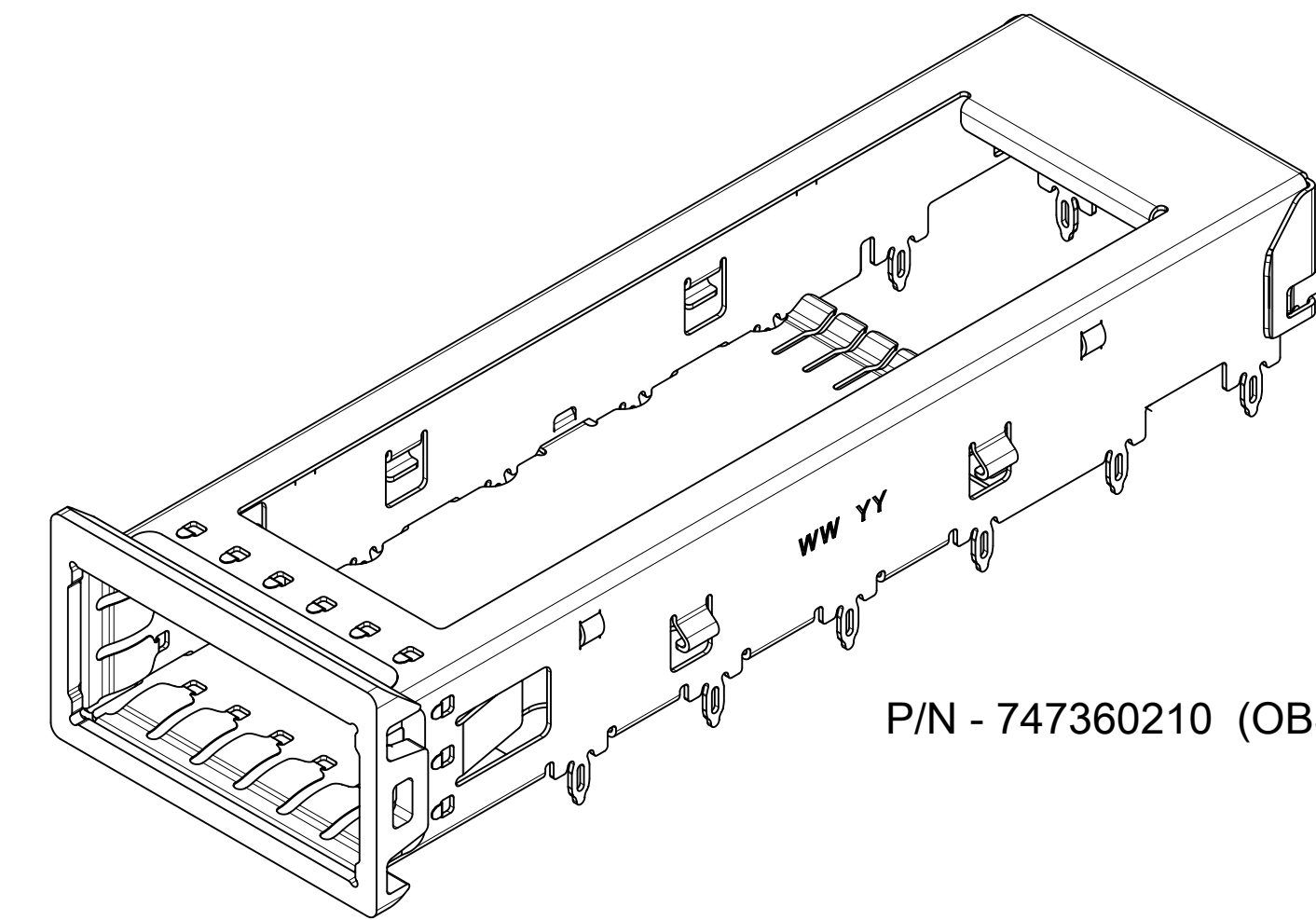
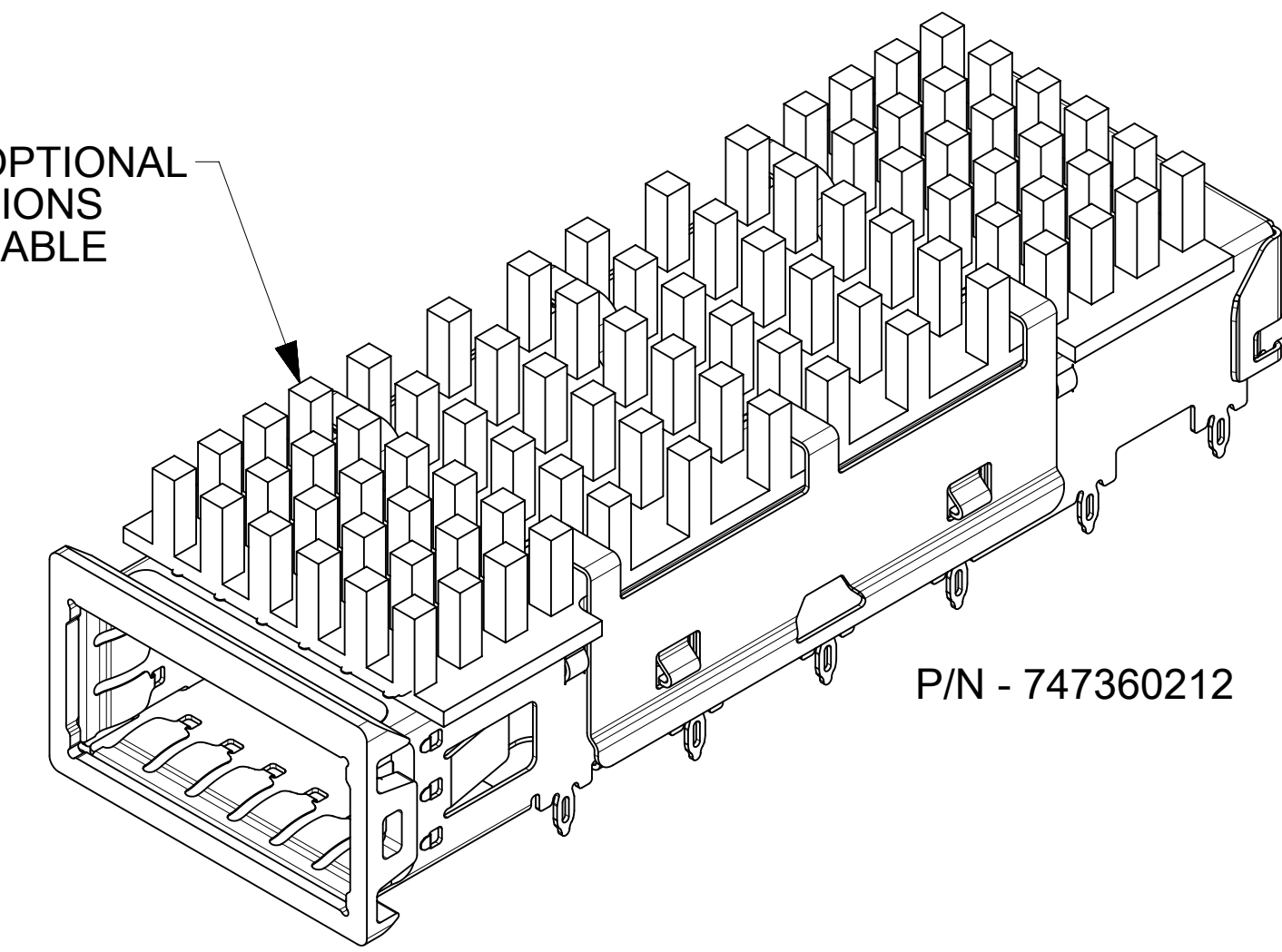
PARTIAL A
SCALE 3:1



SHOWN WITH OPTIONAL HEATSINK (SAN) AND CLIP

- 1 MAXIMUM HEIGHT OF HEATSINK WITH MODULE INSERTED
- 2 OVERALL HEIGHT OF HEATSINK
- 3. OTHER HEATSINK DESIGNS ARE AVAILABLE INCLUDING CUSTOM DESIGNS

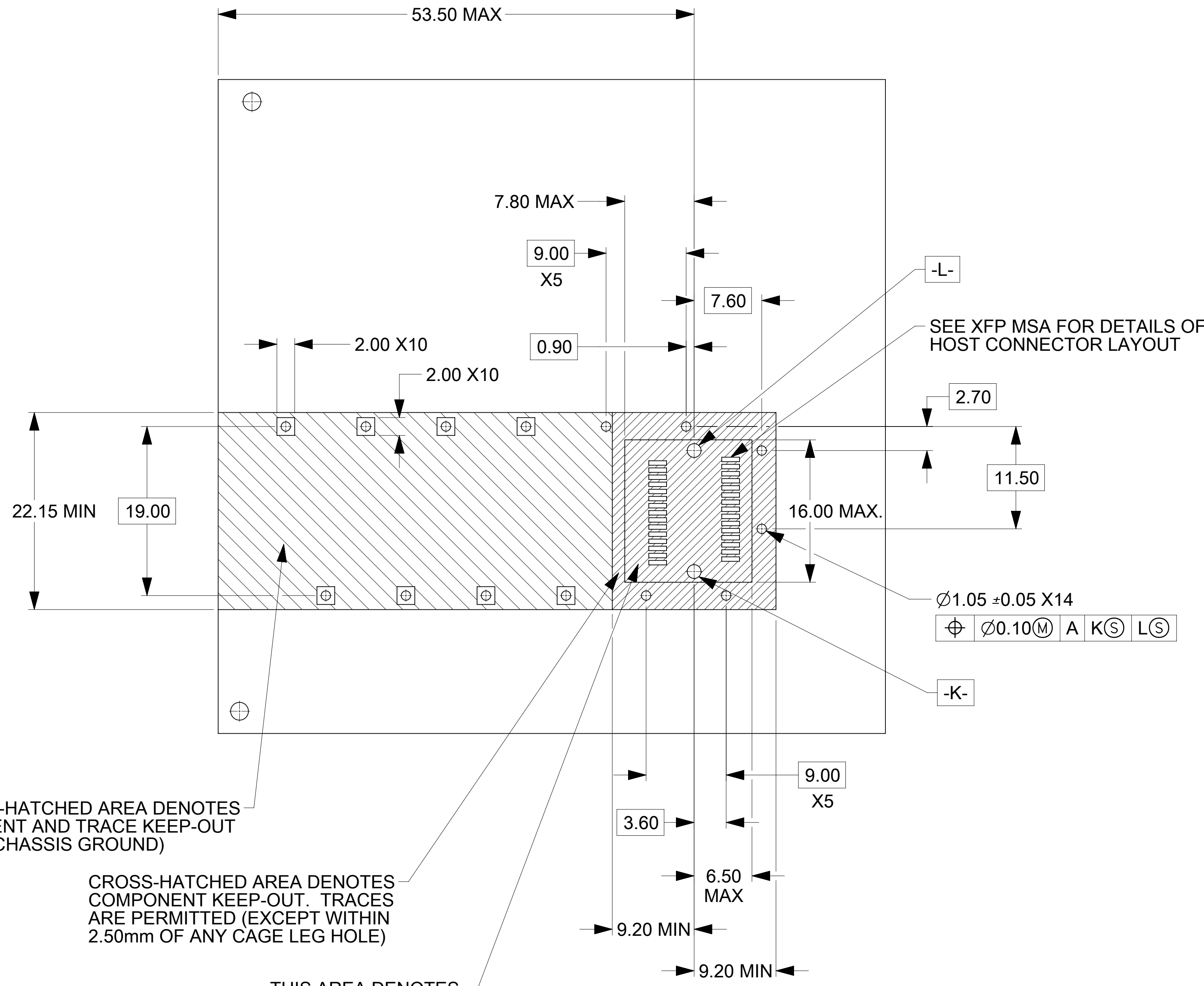
HEATSINK SINK AND CLIP ARE OPTIONAL
SEE CHART FOR HEATSINK OPTIONS
CUSTOM HEATSINKS ARE AVAILABLE



PART NUMBER FOR XFP CAGE ASSEMBLY & PARTS (W/OUT ELASTOMER EMI GASKET)					
P/N	DIM A	DIM B	DESCRIPTION	POWER LEVEL	THERMAL RESISTANCE @200 LFM
747360211	4.0	4.2	XFP CAGE WITH PCI HEATSINK	UP TO 1.5W	<18.0 C/W
747360212	6.3	6.5	XFP CAGE WITH SAN HEATSINK (SHOWN)	UP TO 2.5W	<11.5 C/W
747360213	13.3	13.5	XFP CAGE WITH TALL HEATSINK	UP TO 3.5W	<8.0 C/W
747360230	N/A	N/A	HEATSINK CLIP ONLY	N/A	N/A
747360240	N/A	N/A	PCI HEATSINK ONLY	UP TO 1.5W	<18.0 C/W
747360241	N/A	N/A	SAN HEATSINK ONLY	UP TO 2.5W	<11.5 C/W
747360242	N/A	N/A	TALL HEATSINK ONLY	UP TO 3.5W	<8.0 C/W

THIS DRAWING CONTAINS INFORMATION THAT IS PROPRIETARY TO MOLEX ELECTRONIC TECHNOLOGIES, LLC AND SHOULD NOT BE USED WITHOUT WRITTEN PERMISSION

DIMENSION UNITS mm	SCALE 3:1	CURRENT REV DESC:		molex
GENERAL TOLERANCES (UNLESS SPECIFIED)		EC NO: 624461	2019/02/04	
4 PLACES ±	±	DRWN: AKUMAR19	2019/10/17	XFP CAGE ASSEMBLY WITHOUT ELASTOMER EMI GASKET
3 PLACES ±	±	CHK'D: GGA	2019/10/17	
2 PLACES ±	0.1 ±	APPR: GGA	2019/10/17	PRODUCT CUSTOMER DRAWING
1 PLACE ±	0.25 ±	INITIAL REVISION:		DOCUMENT NUMBER
0 PLACES ±	±	DRWN: KLLOYD	2004/12/02	SD-74736-210
ANGULAR TOL ±	1.0 °	APPR: RMAHMOOD	2010/11/09	DOC TYPE
DRAFT WHERE APPLICABLE MUST REMAIN WITHIN DIMENSIONS	THIRD ANGLE PROJECTION	DRAWING	SERIES	DOC PART
		D-SIZE	74736	REVISION
		SEE TABLE	GENERAL MARKET	PSD 001 C
				SHEET NUMBER
				1 OF 2

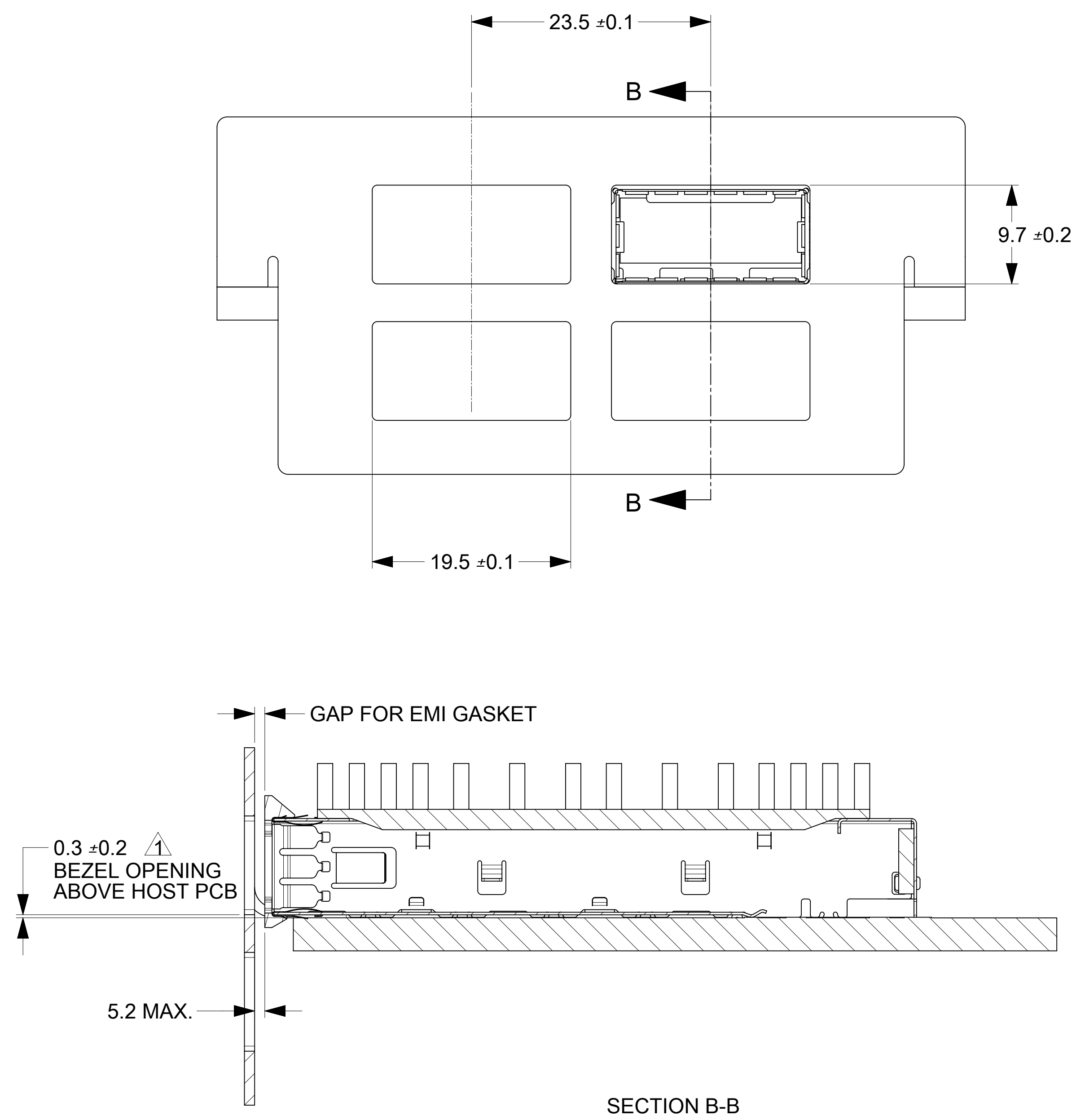


CROSSED-HATCHED AREA DENOTES COMPONENT AND TRACE KEEP-OUT (EXCEPT CHASSIS GROUND)

CROSS-HATCHED AREA DENOTES COMPONENT KEEP-OUT. TRACES ARE PERMITTED (EXCEPT WITHIN 2.50mm OF ANY CAGE LEG HOLE)

THIS AREA DENOTES COMPONENT KEEP-OUT (TRACES ALLOWED)

\triangle FOR PCI APPLICATIONS RECOMMENDED DIMENSION IS 0.4 ±0.1



THIS DRAWING CONTAINS INFORMATION THAT IS PROPRIETARY TO MOLEX ELECTRONIC TECHNOLOGIES, LLC AND SHOULD NOT BE USED WITHOUT WRITTEN PERMISSION									
DIMENSION UNITS		SCALE		CURRENT REV DESC:					
mm		3:1							
GENERAL TOLERANCES (UNLESS SPECIFIED)				EC NO: 624461					
	MM		INCH	DRWN: AKUMAR19		2019/02/04			
4 PLACES	±		±	CHK'D: GGA		2019/10/17			
3 PLACES	±		±	APPR: GGA		2019/10/17			
2 PLACES	±	0.1	±	INITIAL REVISION:					
1 PLACE	±	0.25	±	DRWN: KLLOYD		2004/12/02		DOCUMENT NUMBER: SD-74736-210 DOC TYPE: PSD DOC PART: 001 REVISION: C	
0 PLACES	±		±	APPR: RMAHMOOD		2010/11/09			
ANGULAR TOL ± 1.0 °				DRAFT WHERE APPLICABLE MUST REMAIN WITHIN DIMENSIONS		THIRD ANGLE PROJECTION		SERIES: D-SIZE 74736	
				MATERIAL NUMBER: SEE TABLE		CUSTOMER: GENERAL MARKET		SHEET NUMBER: 2 OF 2	

DOCUMENT STATUS	P1	RELEASE DATE	2019/10/17	02:39:02
-----------------	----	--------------	------------	----------