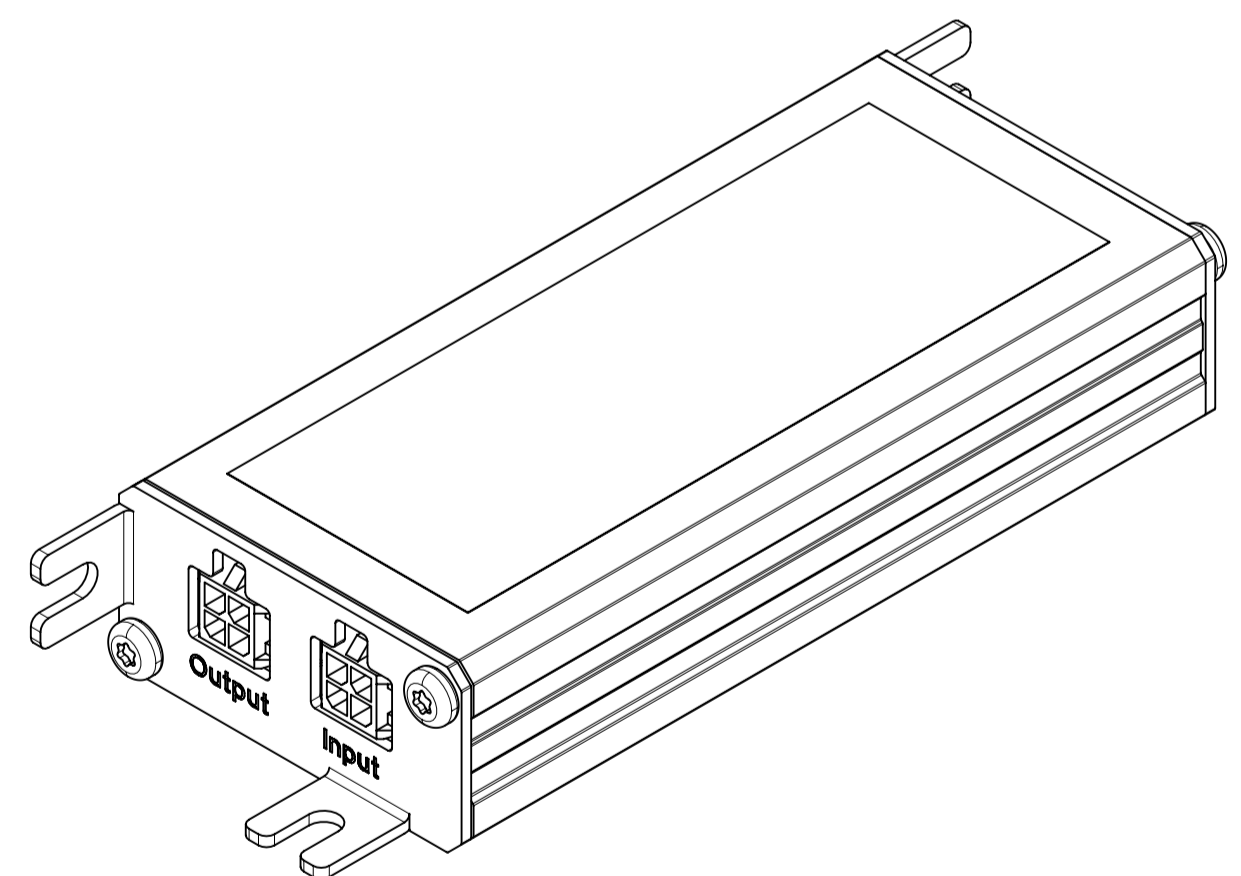
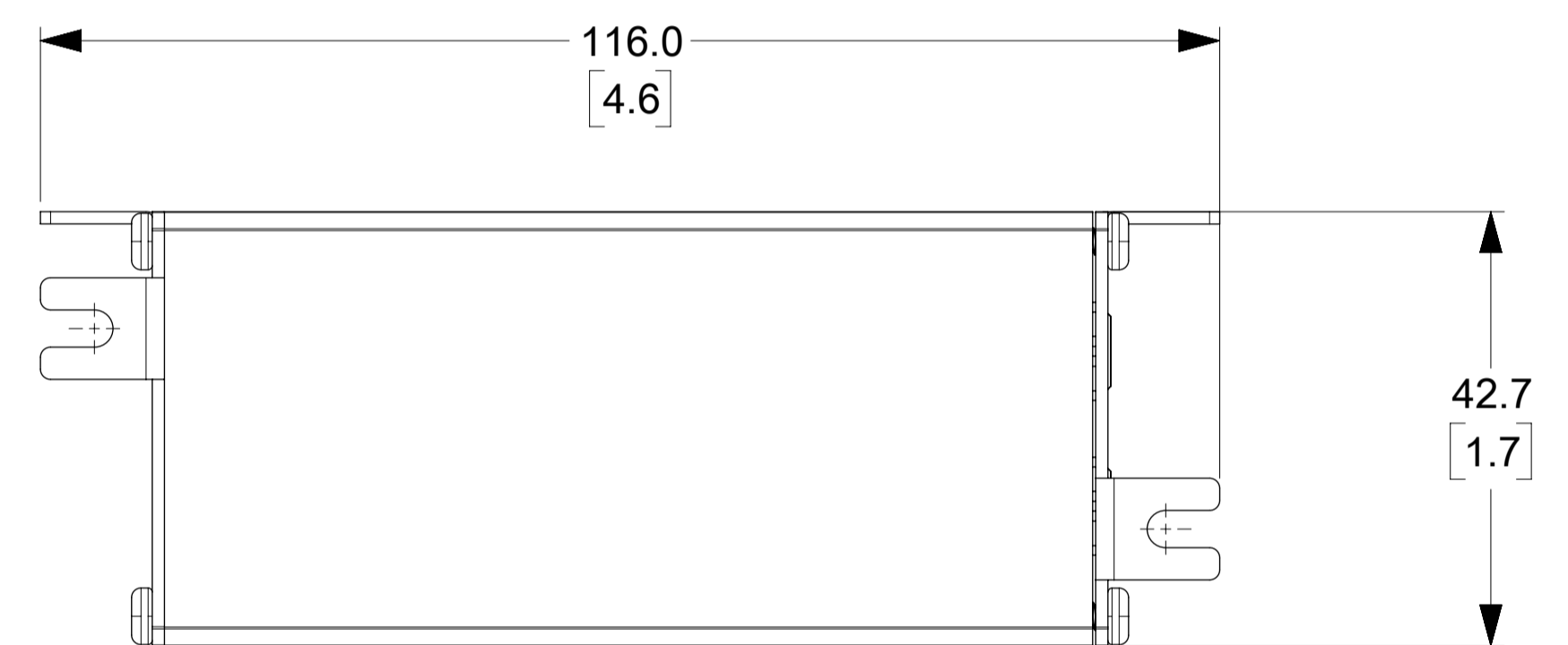
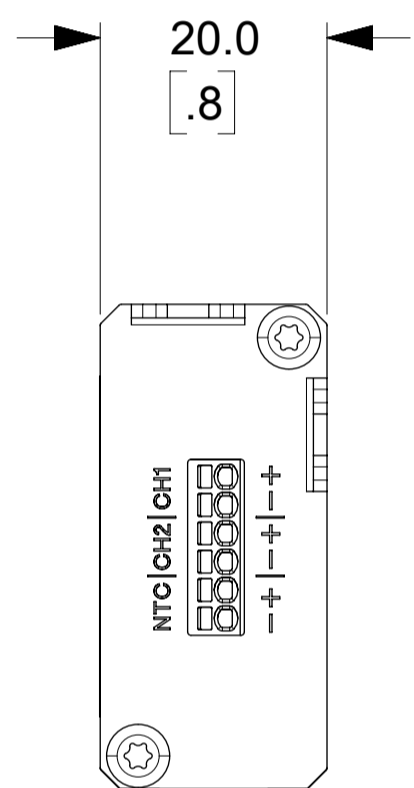
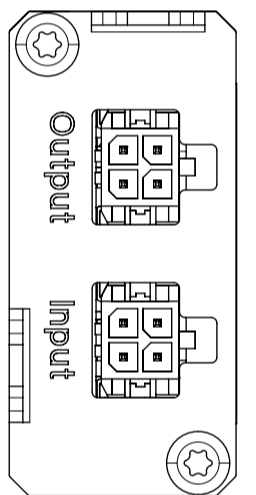
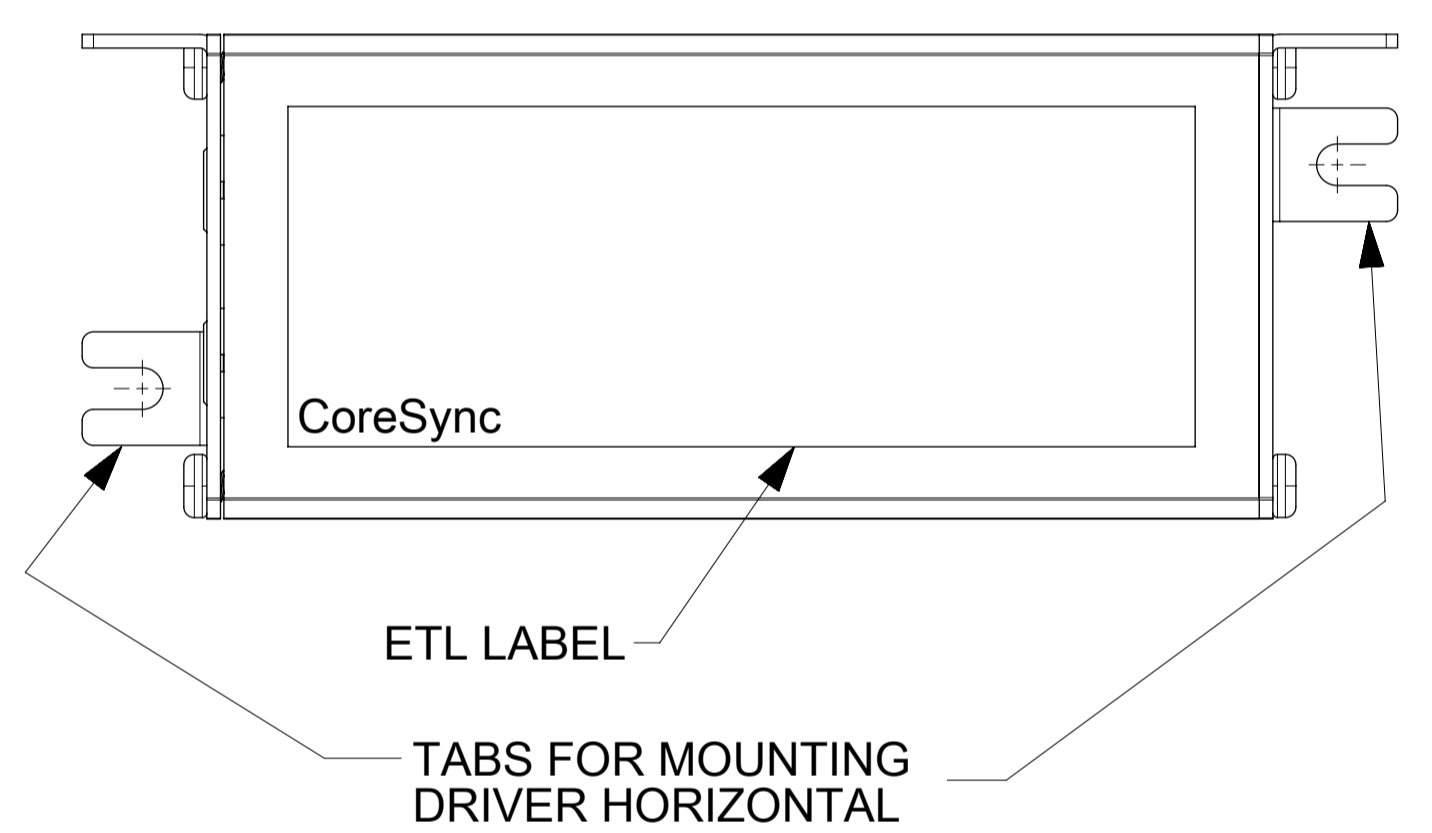
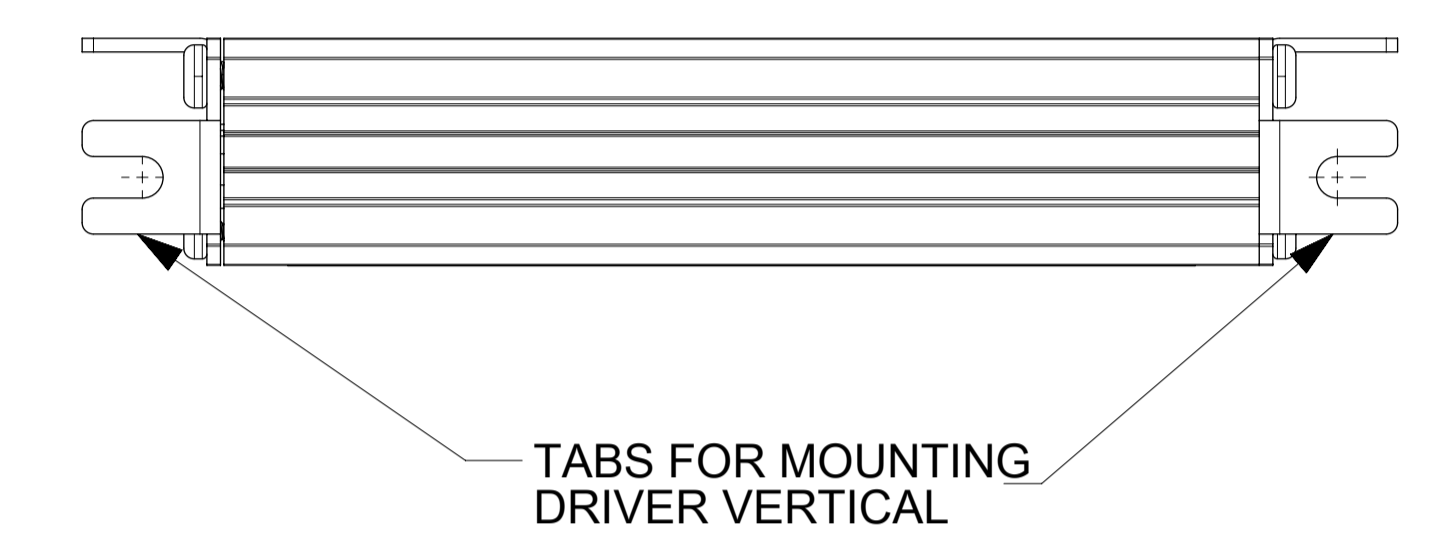
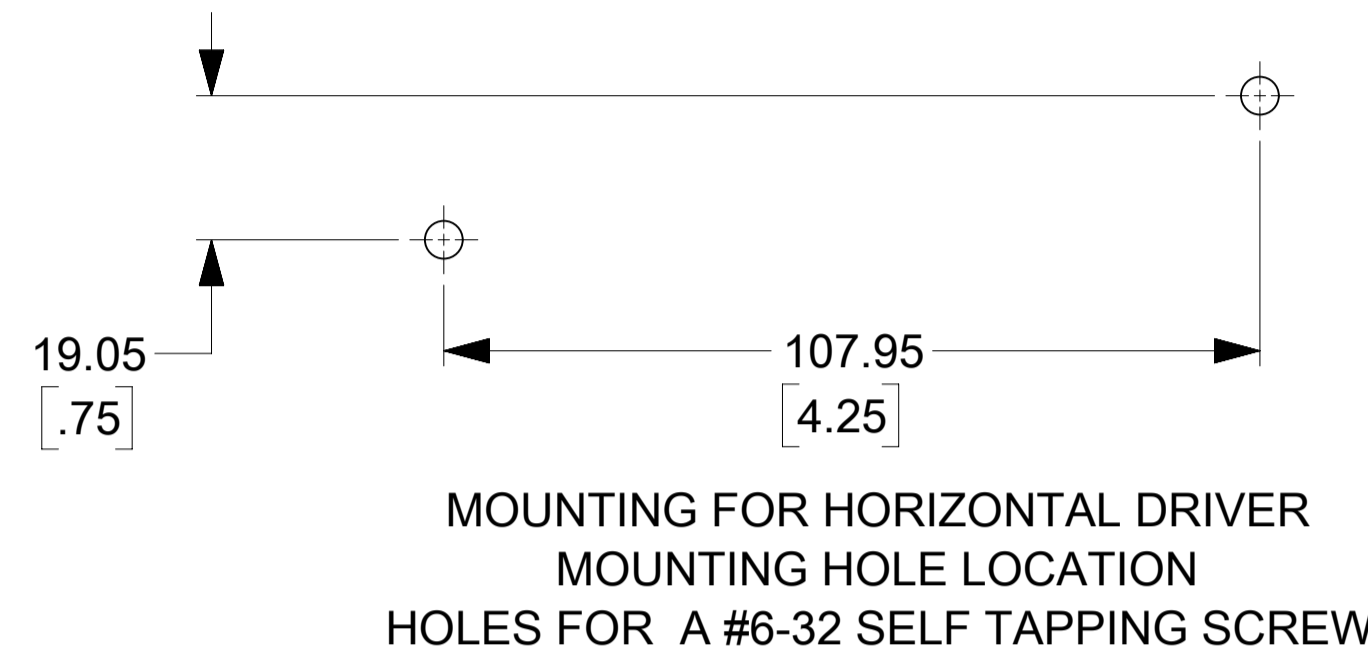
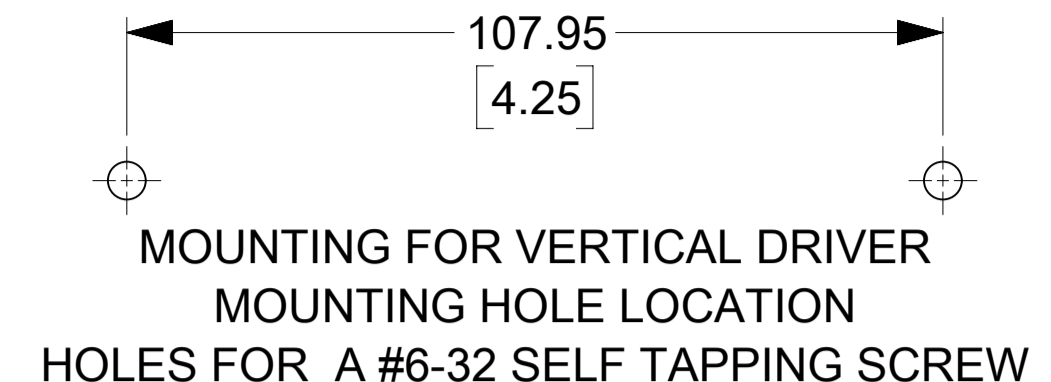




# DUAL DRIVER ASSEMBLY OFFSET MOUNT

PART NO.	DRIVER ASM	INPUT CURRENT MAX.	OUTPUT CURRENT MAX.	OUTPUT POWER MAX.	STATUS
180996-2001	DUAL CHANNEL	300mA	350mA	14W	ACTIVE
180996-2002	DUAL CHANNEL	430mA	500mA	20W	ACTIVE
180996-2003	DUAL CHANNEL	600mA	700mA	28W	ACTIVE
180996-2004	DUAL CHANNEL	900mA	1050mA	42W	ACTIVE
180996-2006	DUAL CHANNEL	750mA	880mA	35W	ACTIVE



ISO VIEW

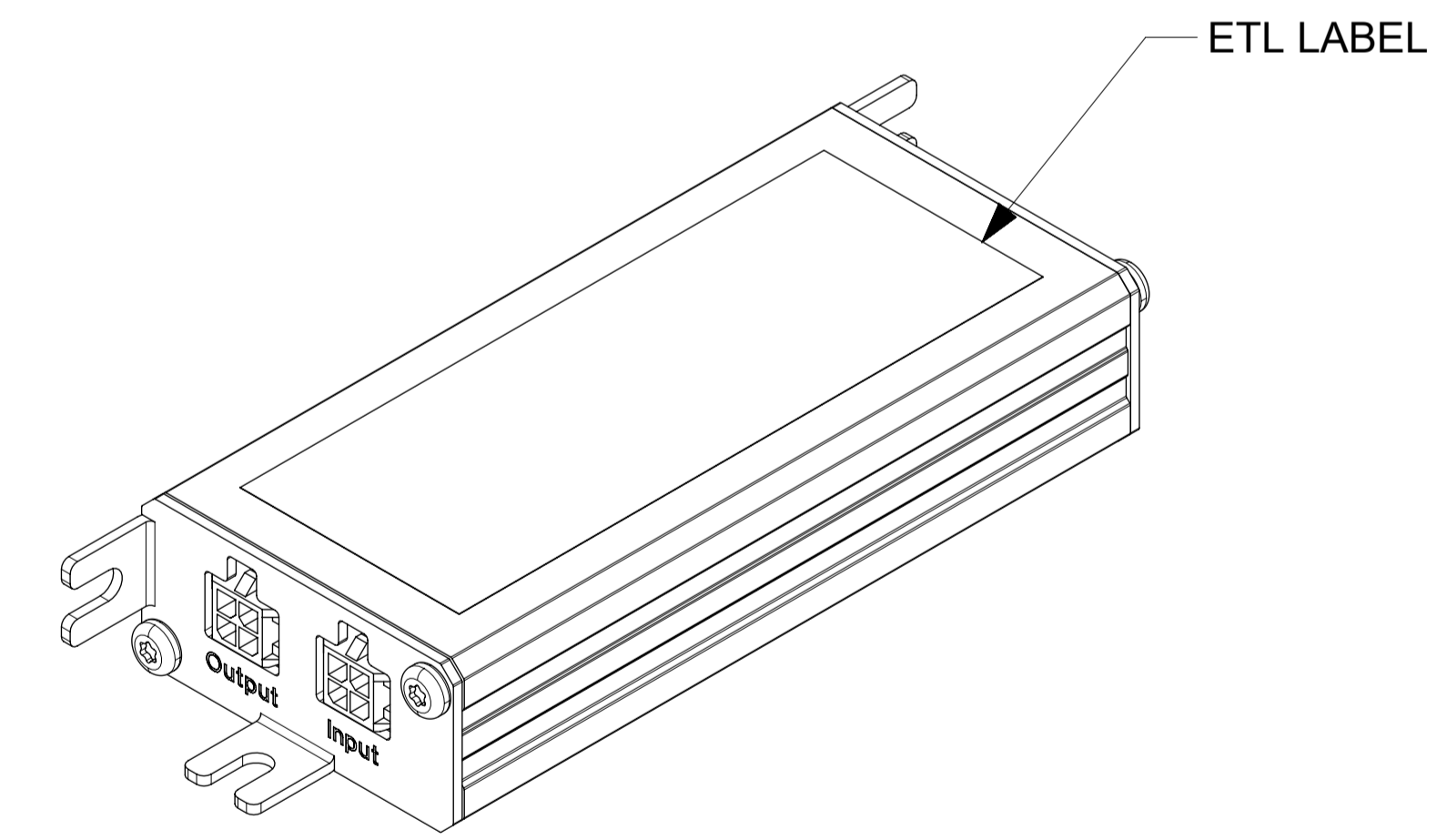
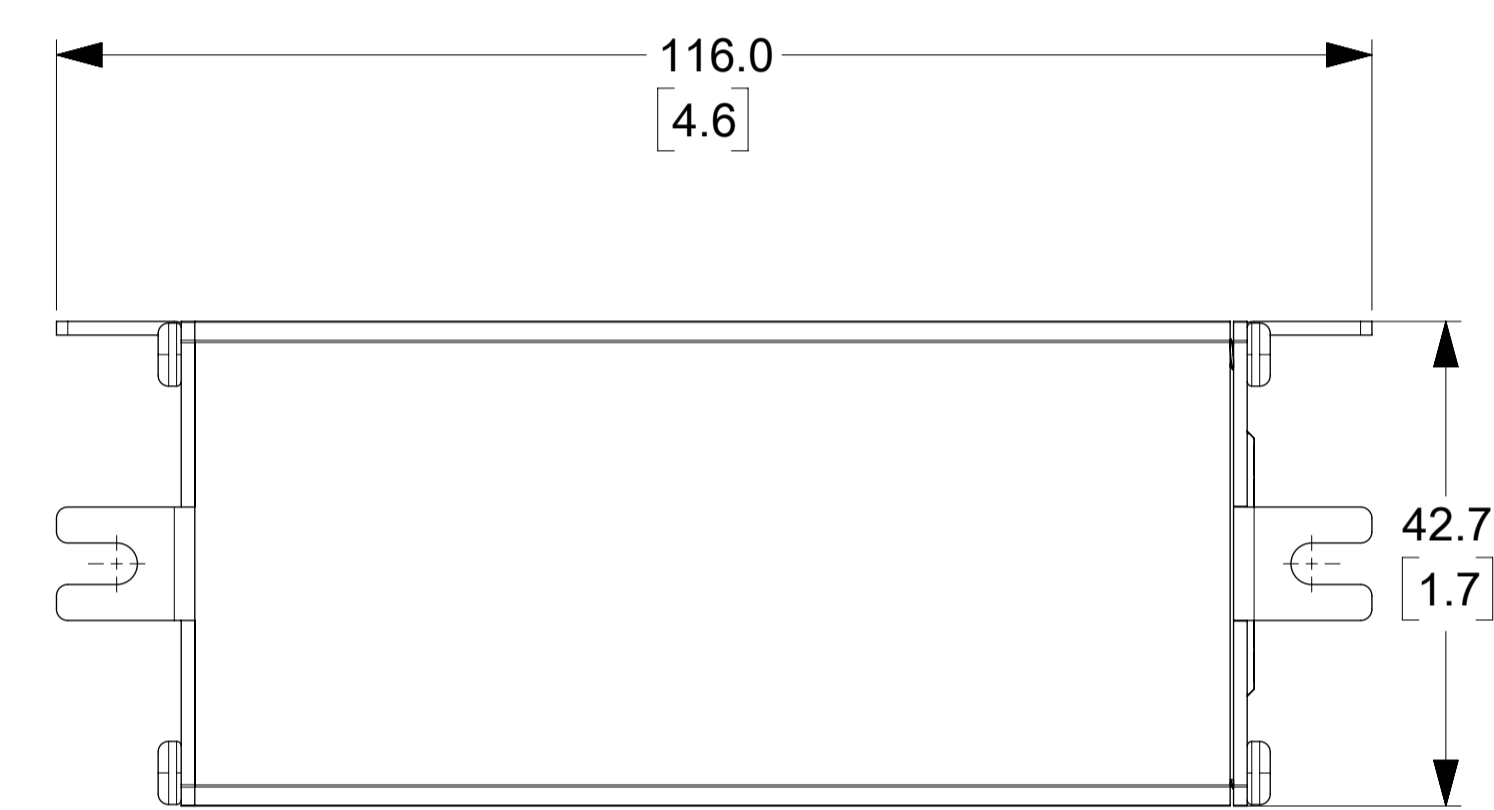
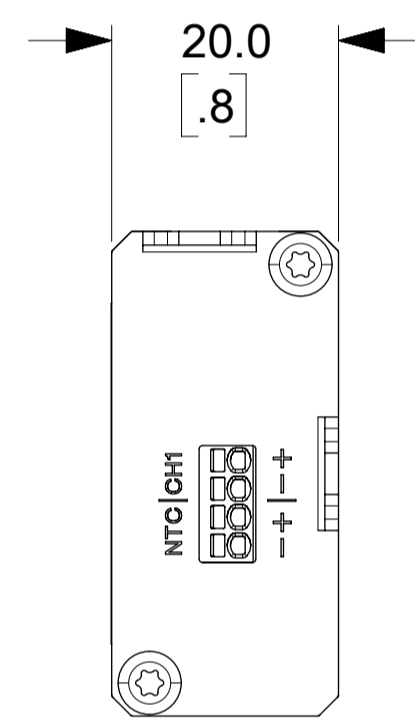
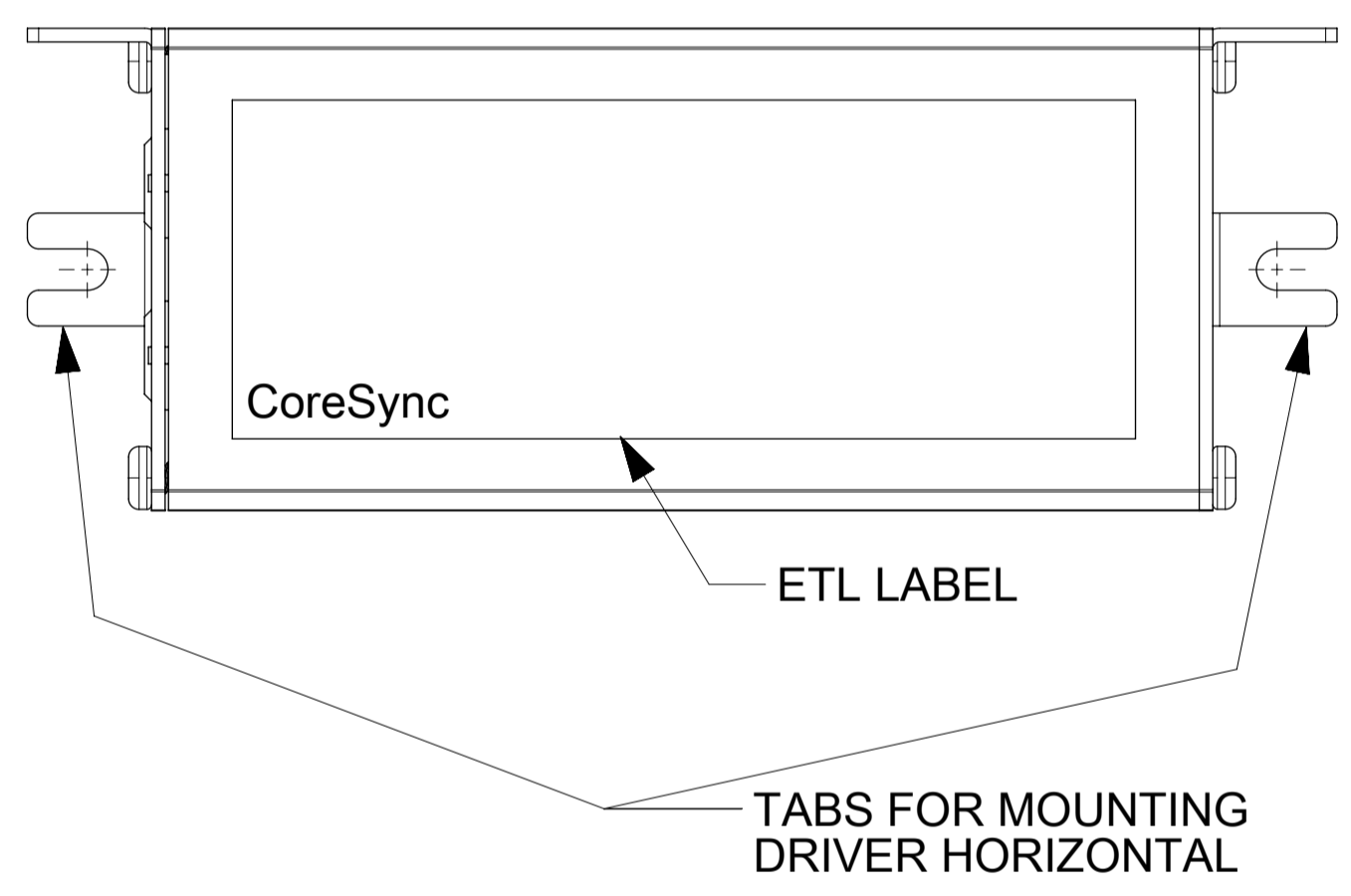
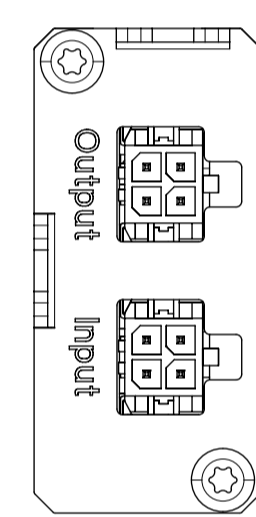
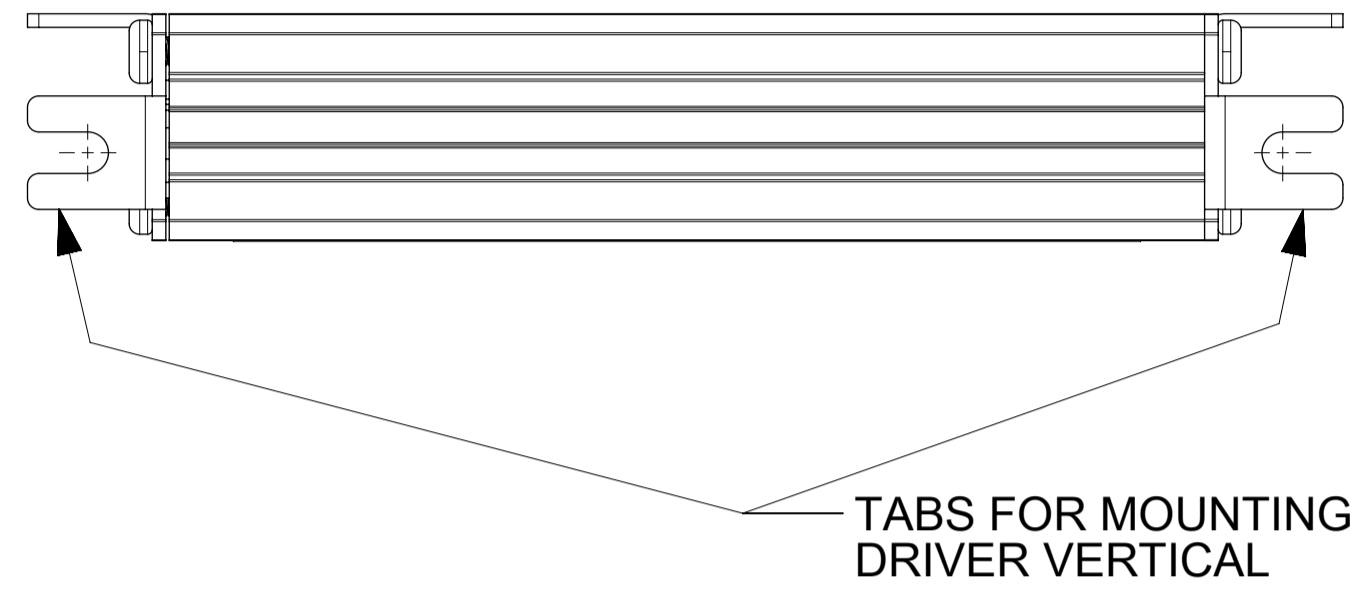
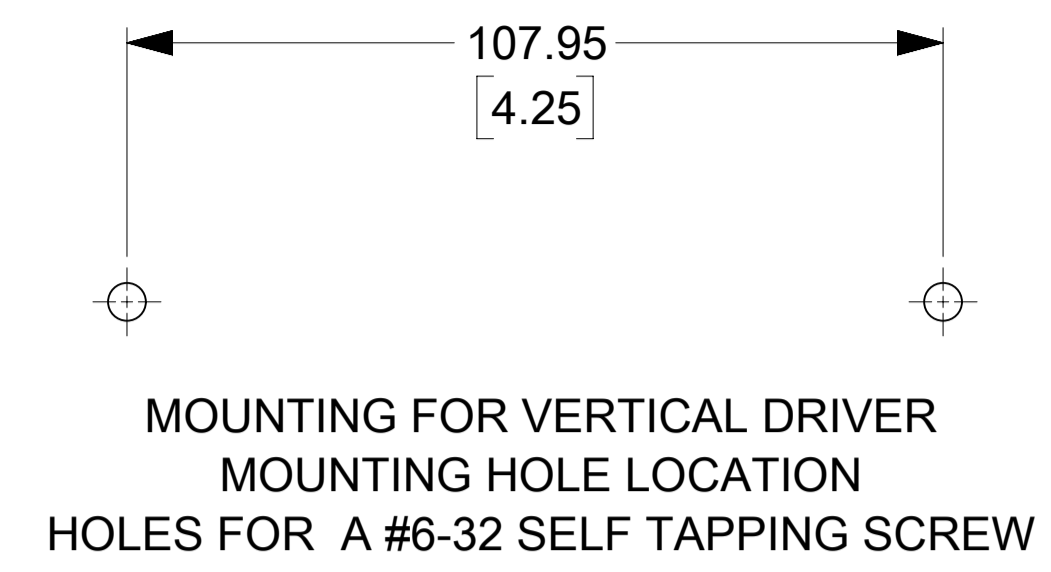
- NOTES:
- HOUSING EXTRUSION  
MATERIAL: ANODIZED ALUMINUM
  - STAMPED END CAP LEFT & RIGHT  
MATERIAL: ALUMINUM  
FINISH: TEXTURED POWDER COAT, BLACK

FUNCTIONAL SYMBOLS FA=0 FC=0 FP=0	THIS DRAWING CONTAINS INFORMATION THAT IS PROPRIETARY TO MOLEX ELECTRONIC TECHNOLOGIES, LLC AND SHOULD NOT BE USED WITHOUT WRITTEN PERMISSION		CURRENT REV DESC:		<p>DRIVER ASSEMBLY SINGLE/DUAL CHANNEL</p>
	DIMENSION UNITS	SCALE	GENERAL TOLERANCES (UNLESS SPECIFIED)		
	MM/INCH	NTS	MM	INCH	
	4 PLACES ±	±	3 PLACES ±	±	
DIVISIONAL SYMBOLS	INITIAL REVISION:		EC NO: 700562	2022/03/22	PRODUCT CUSTOMER DRAWING
2 PLACES ± 0.25 ± 0.01	DRWN: GALLENO2 2017/12/12		DRWN: UKOWSHIKARAN 2022/03/28	2022/03/28	
1 PLACE ± 0.5 ± 0.02	APPR: JAGRO 2018/10/03		CHK'D: RCG 2022/03/28	APPR: RCG 2022/03/28	DOCUMENT NUMBER
0 PLACES ±	ANGULAR TOL ± °		DRWN: GALLENO2 2017/12/12		1809960000
DRAFT WHERE APPLICABLE MUST REMAIN WITHIN DIMENSIONS		THIRD ANGLE PROJECTION	DRAWING	SERIES	DOC TYPE   DOC PART   REVISION
			A1-SIZE	180996	PSD   000   B
			SEE TABLE	GENERAL MARKET	SHEET NUMBER
					2 OF 7

DOCUMENT STATUS	P1	RELEASE DATE	2022/03/28	18:00:12
-----------------	----	--------------	------------	----------

PART NO.	DRIVER ASM	INPUT CURRENT MAX.	OUTPUT CURRENT MAX.	OUTPUT POWER MAX.	STATUS
180996-3104	SINGLE CHANNEL	900mA	1050mA	42W	ACTIVE
180996-3107	SINGLE CHANNEL	260mA	300mA	13W	ACTIVE

# SINGLE DRIVER ASSEMBLY CENTER MOUNT



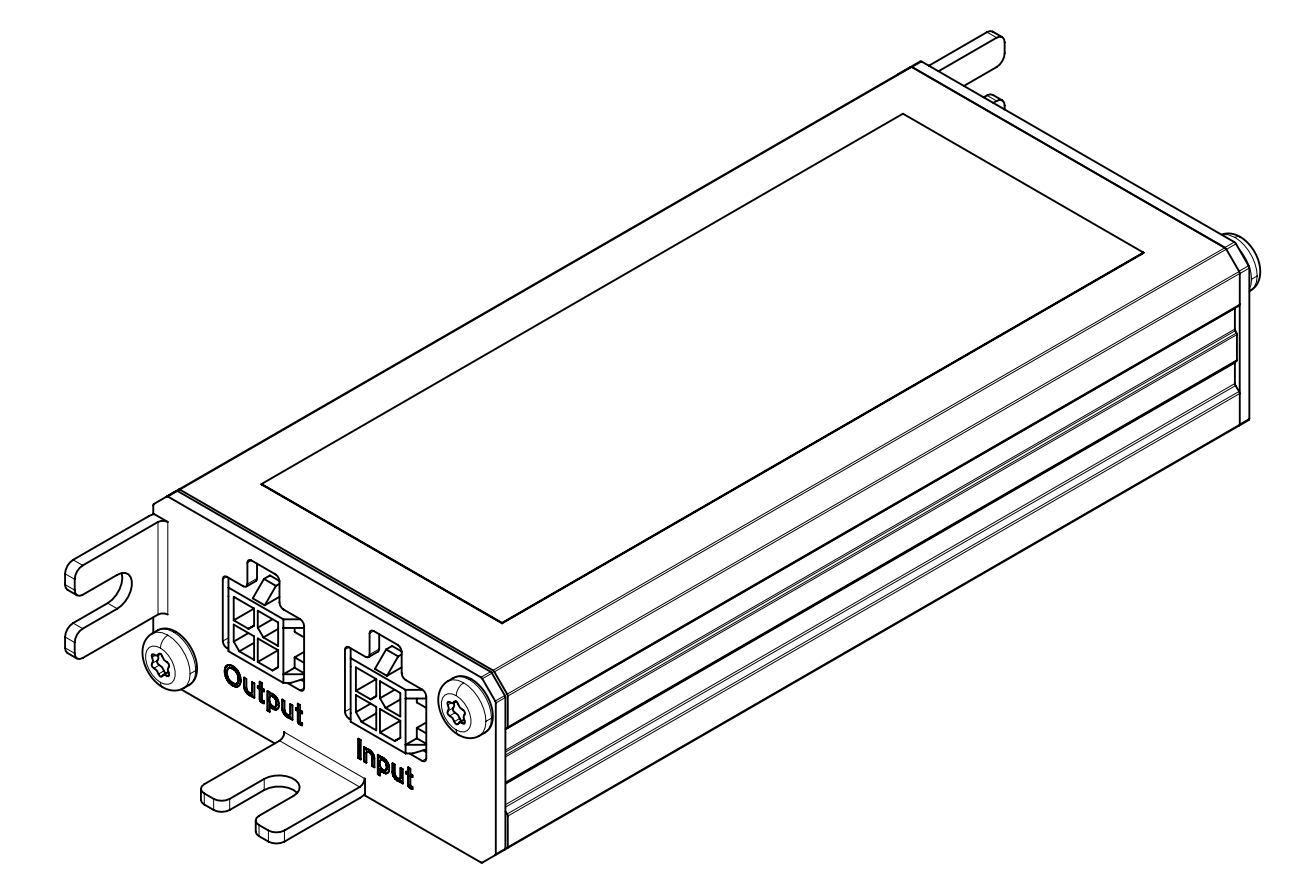
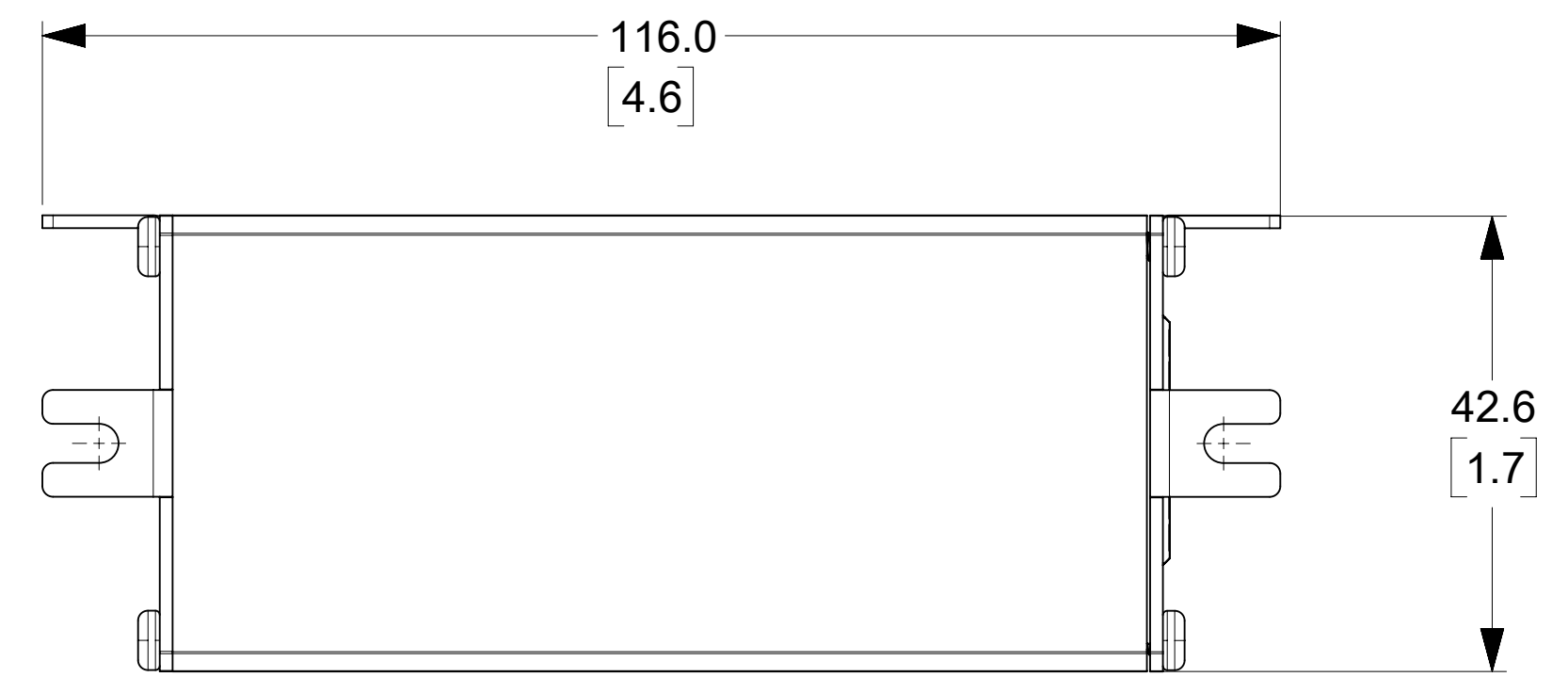
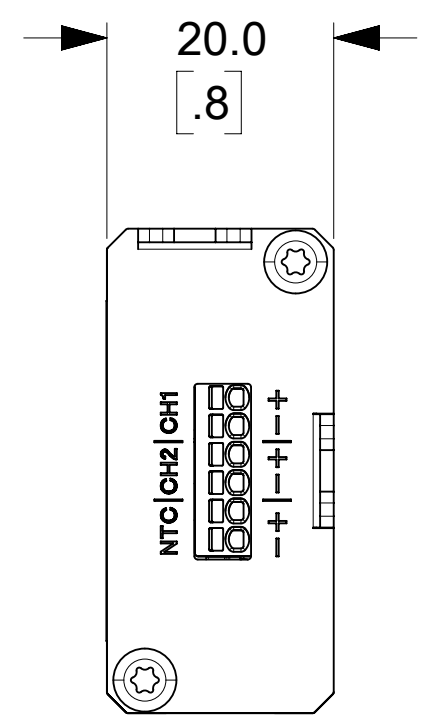
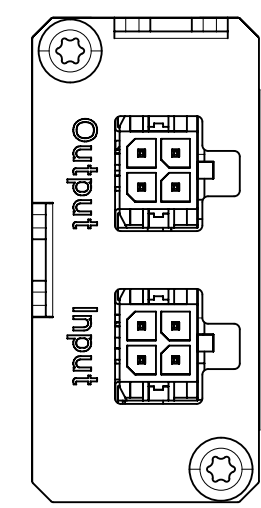
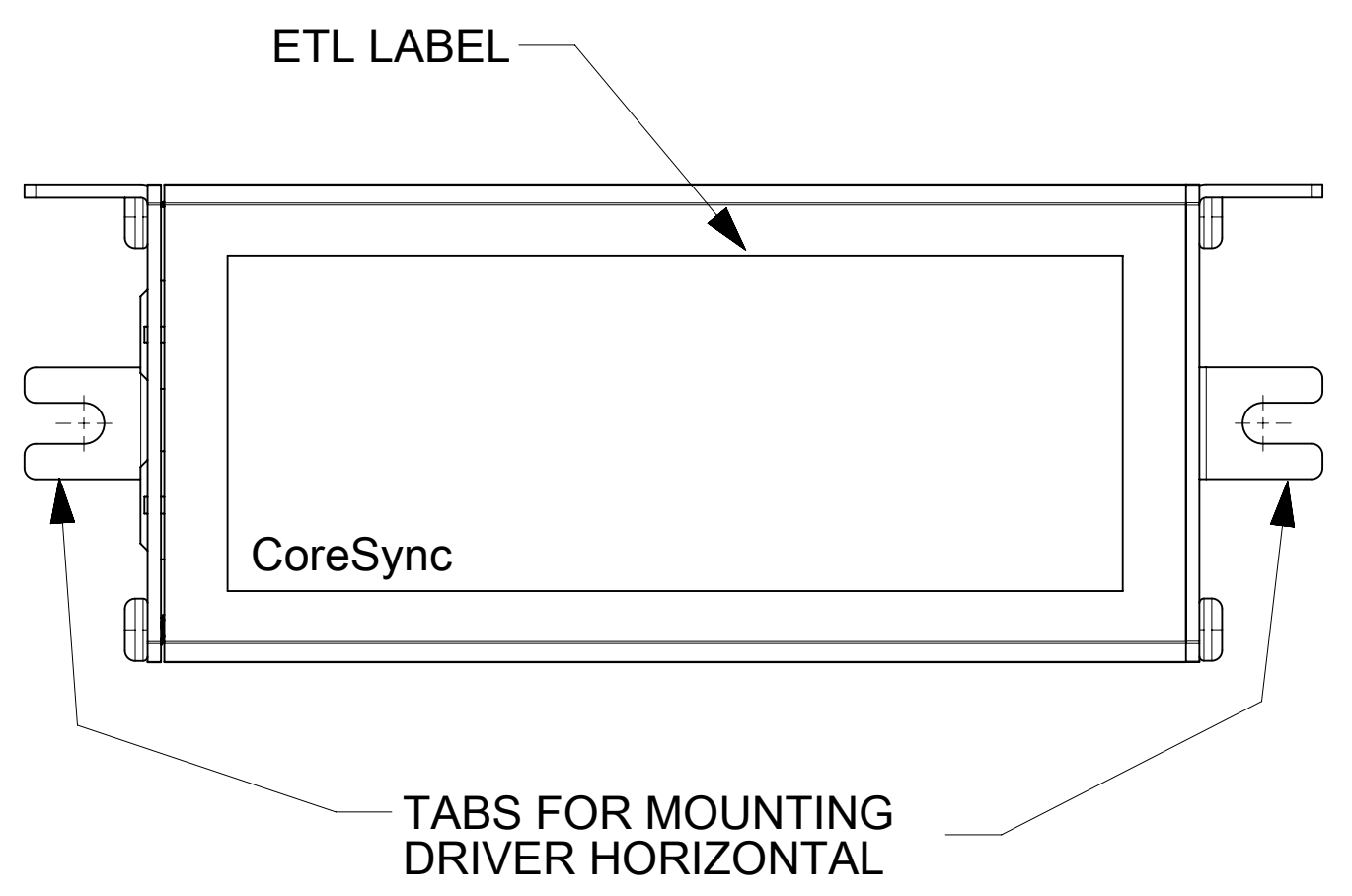
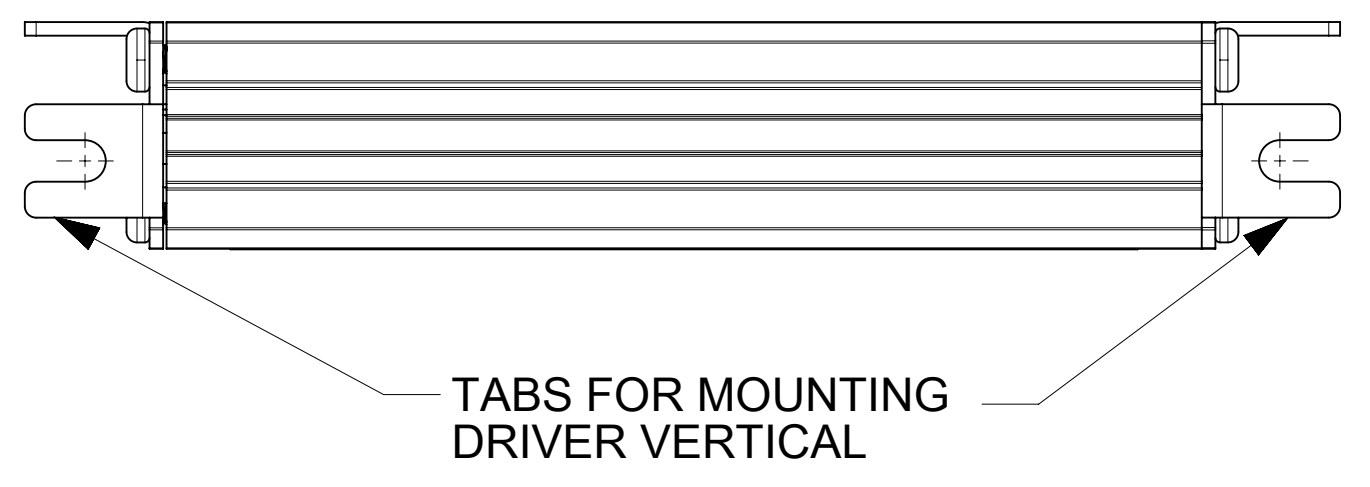
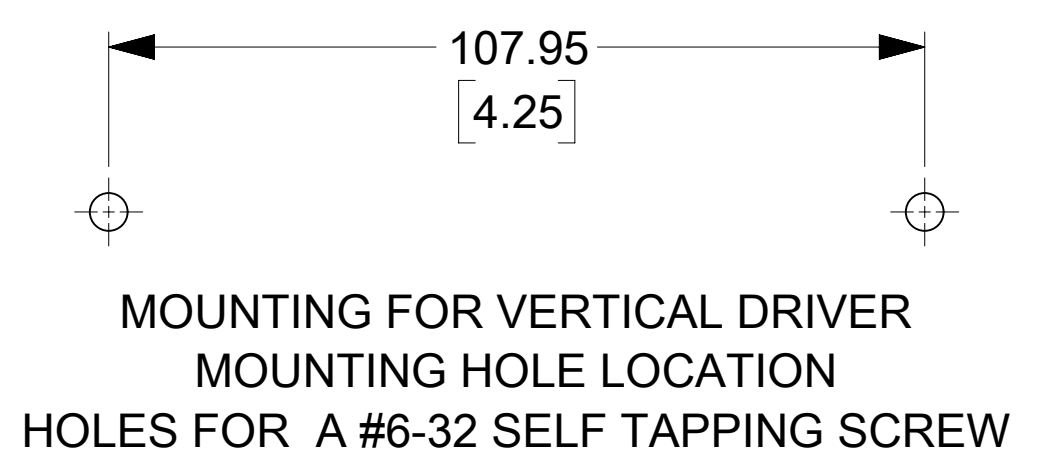
ISO VIEW

- NOTES:
- HOUSING EXTRUSION  
MATERIAL: ANODIZED ALUMINUM
  - STAMPED END CAP LEFT & RIGHT  
MATERIAL: ALUMINUM  
FINISH: TEXTURED POWDER COAT, BLACK

<b>FUNCTIONAL SYMBOLS</b> $\frac{E}{A} = 0$ $\frac{E}{C} = 0$ $\frac{E}{P} = 0$	THIS DRAWING CONTAINS INFORMATION THAT IS PROPRIETARY TO MOLEX ELECTRONIC TECHNOLOGIES, LLC AND SHOULD NOT BE USED WITHOUT WRITTEN PERMISSION		CURRENT REV DESC:		
	DIMENSION UNITS	SCALE	EC NO: 700562		
	MM/INCH	NTS	DRWN: UKOWSHIKARAN 2022/03/28		
	GENERAL TOLERANCES (UNLESS SPECIFIED)		CHK'D: RCG 2022/03/28		
<b>DIVISIONAL SYMBOLS</b> $\frac{0}{1}$ $\frac{0}{2}$ $\frac{0}{3}$ $\frac{0}{4}$	MM	INCH	APPR: RCG 2022/03/28		<b>PRODUCT CUSTOMER DRAWING</b> DOCUMENT NUMBER: 1809960000 DOC TYPE: PSD DOC PART: 000 REVISION: B
	4 PLACES ±	±	INITIAL REVISION:		
	3 PLACES ±	±	DRWN: GALLEN02 2017/12/12		
	2 PLACES ±	± 0.01	APPR: JAGRO 2018/10/03		
1 PLACE ±	± 0.02	DRAFT WHERE APPLICABLE MUST REMAIN WITHIN DIMENSIONS		MATERIAL NUMBER: SEE TABLE CUSTOMER: GENERAL MARKET SHEET NUMBER: 3 OF 7	
0 PLACES ±	±	THIRD ANGLE PROJECTION	DRAWING: A1-SIZE		
ANGULAR TOL ± °		SERIES: 180996			

PART NO.	DRIVER ASM	INPUT CURRENT MAX.	OUTPUT CURRENT MAX.	OUTPUT POWER MAX.	STATUS
180996-4101	DUAL CHANNEL	300mA	350mA	14W	ACTIVE
180996-4103	DUAL CHANNEL	600mA	700mA	28W	ACTIVE
180996-4104	DUAL CHANNEL	900mA	1050mA	42W	ACTIVE
180996-4106	DUAL CHANNEL	750mA	880mA	35W	ACTIVE

# DUAL DRIVER ASSEMBLY CENTER MOUNT



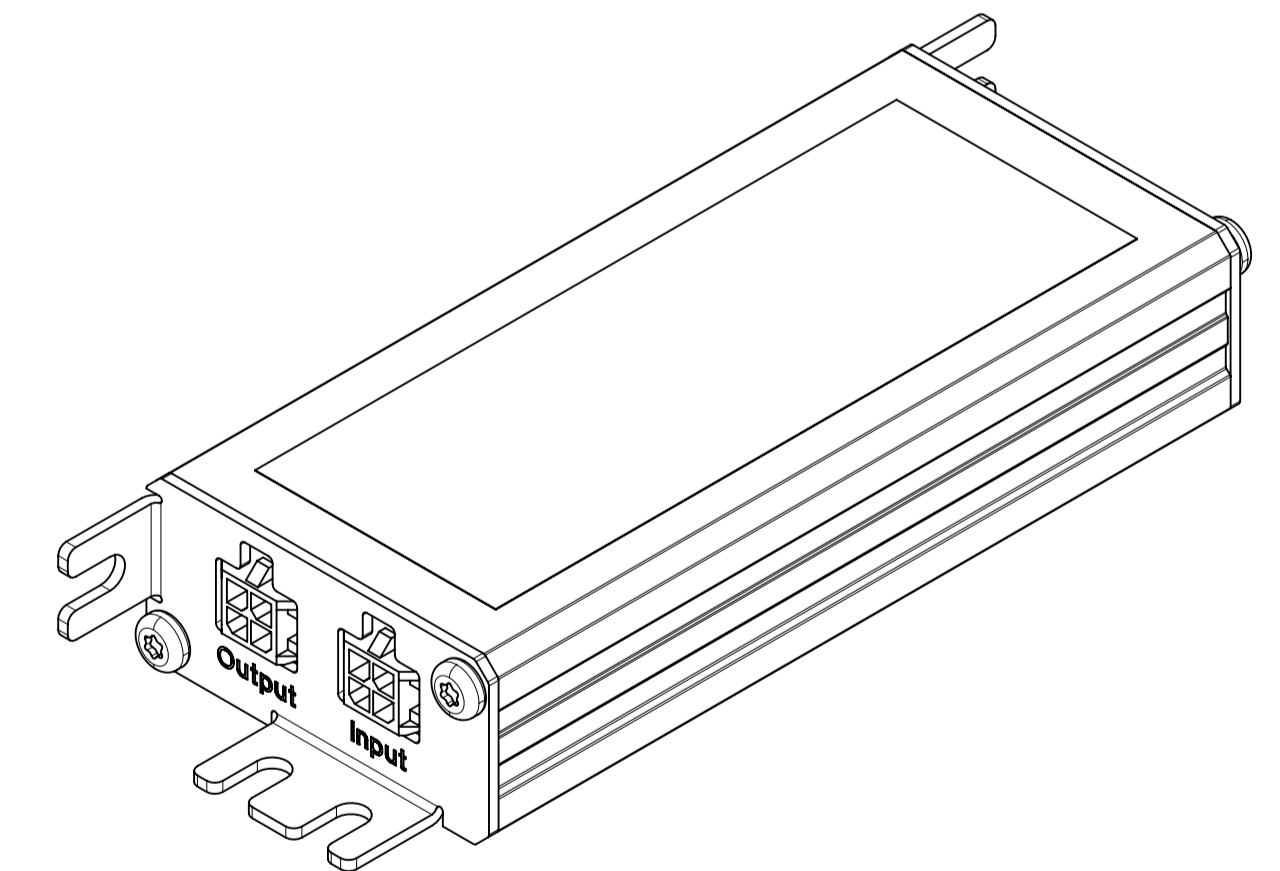
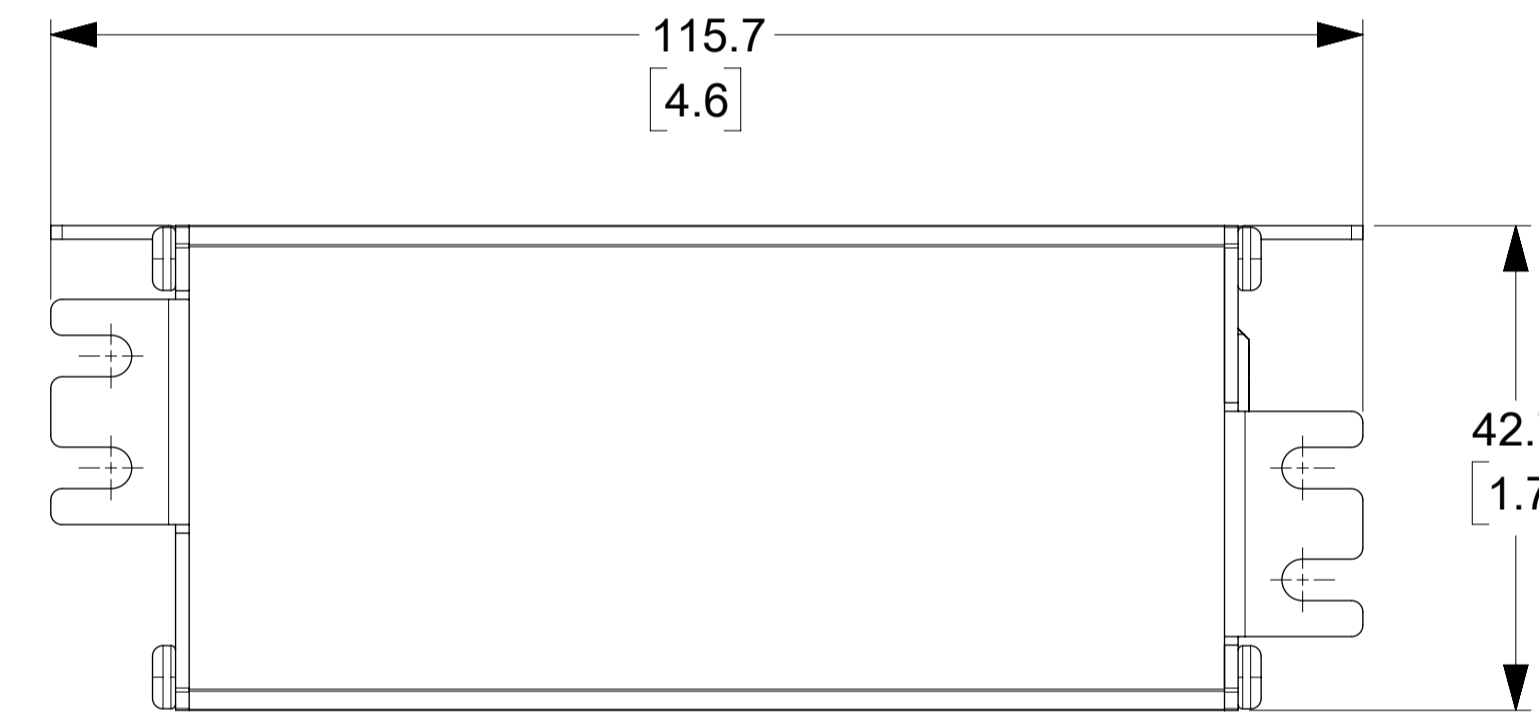
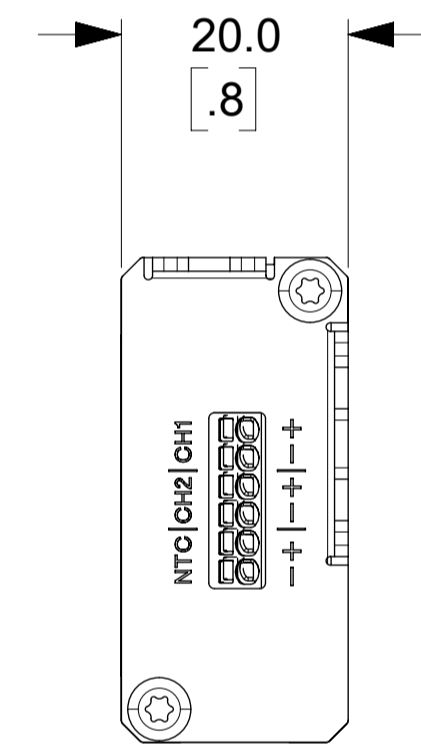
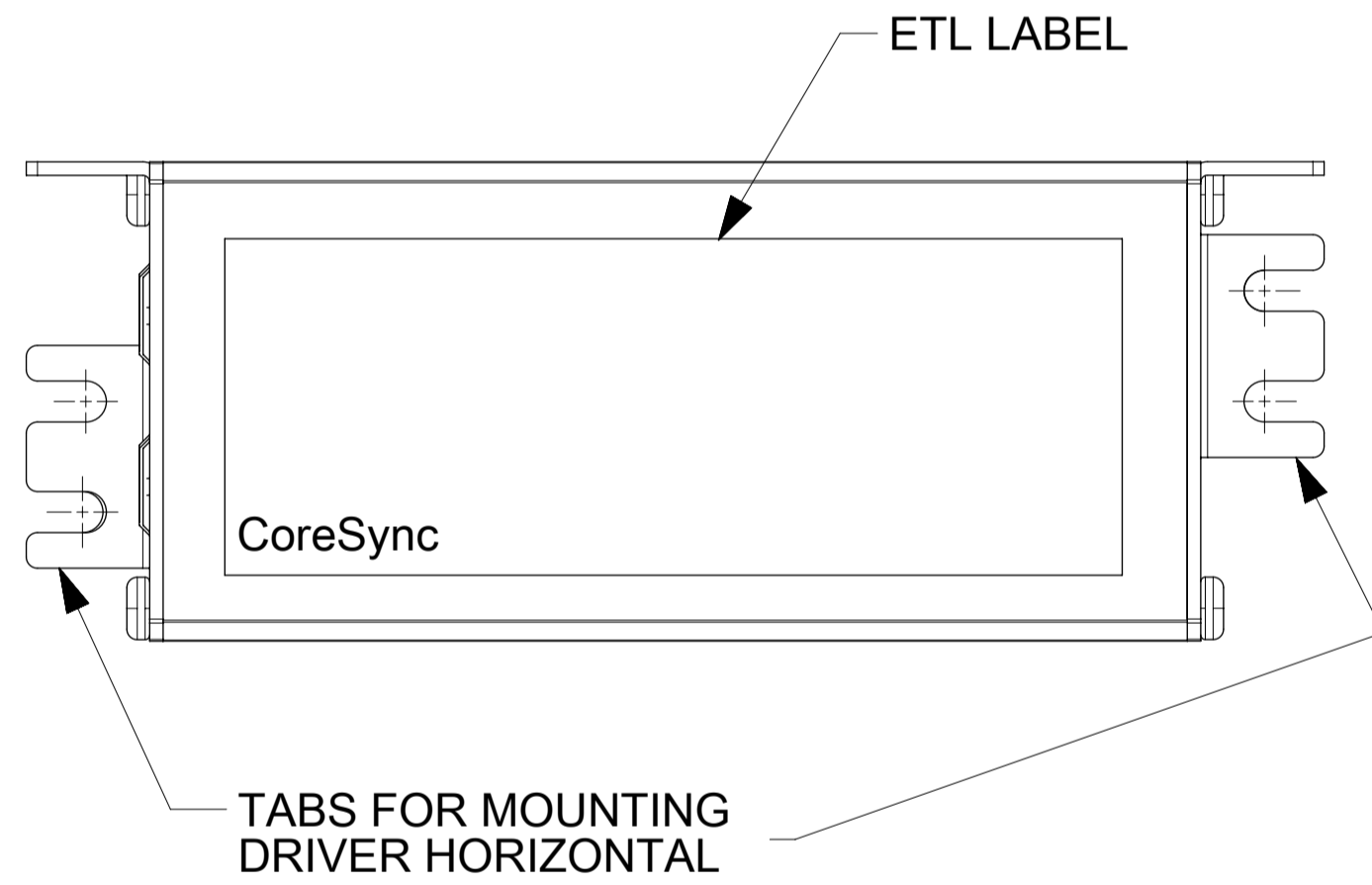
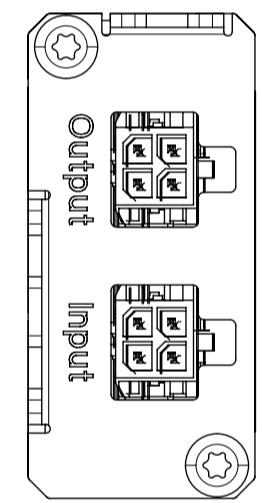
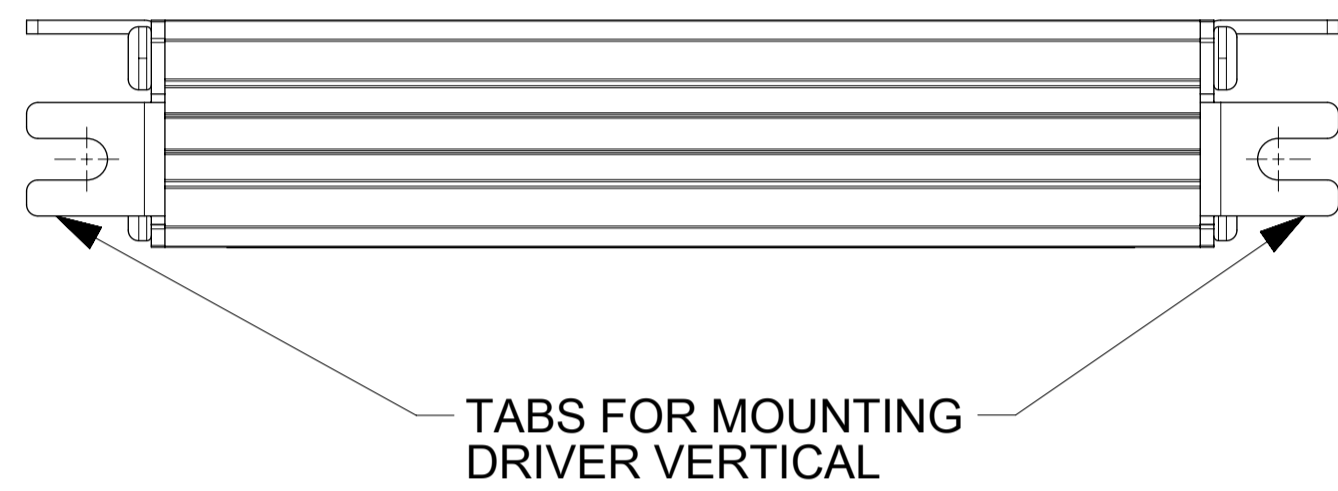
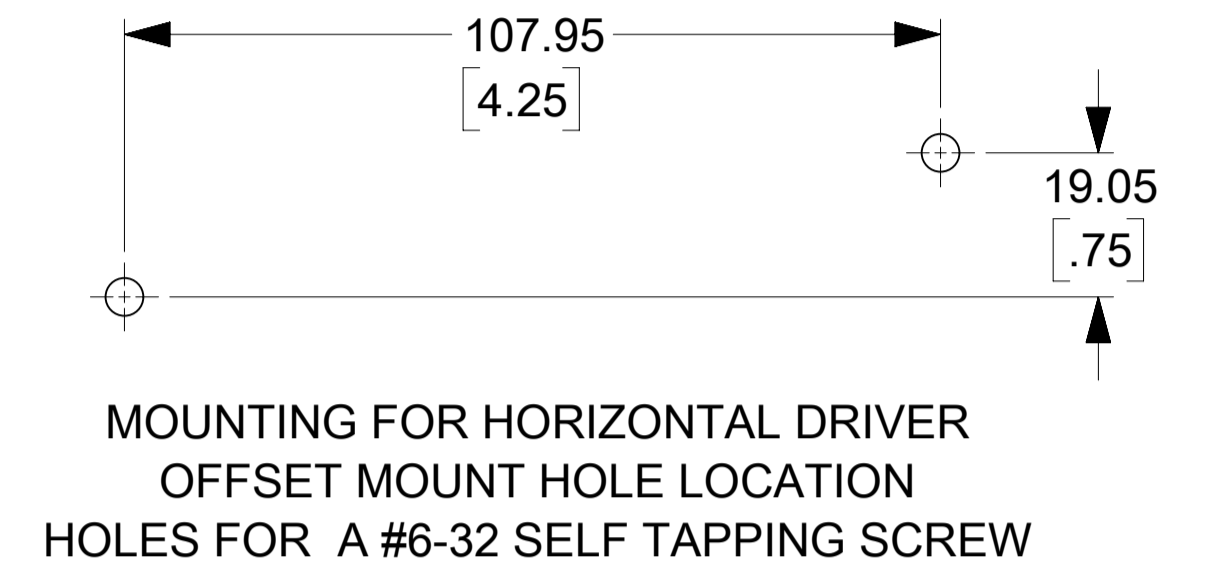
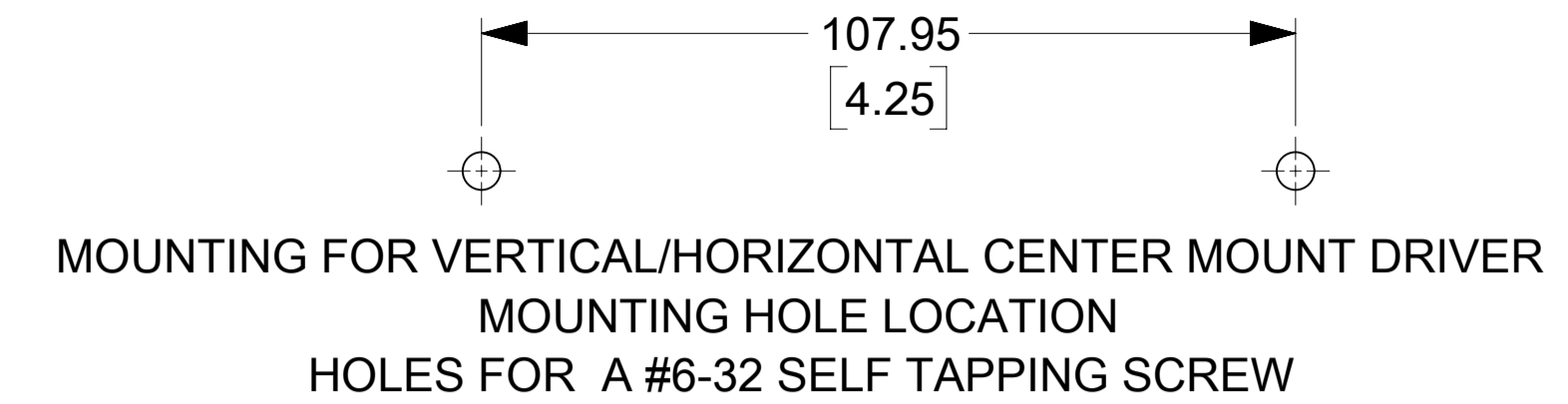
- NOTES:
- HOUSING EXTRUSION  
MATERIAL: ANODIZED ALUMINUM
  - STAMPED END CAP LEFT & RIGHT  
MATERIAL: ALUMINUM  
FINISH: TEXTURED POWDER COAT, BLACK

FUNCTIONAL SYMBOLS $\frac{E}{A} = 0$ $\frac{E}{C} = 0$ $\frac{E}{P} = 0$ DIVISIONAL SYMBOLS	THIS DRAWING CONTAINS INFORMATION THAT IS PROPRIETARY TO MOLEX ELECTRONIC TECHNOLOGIES, LLC AND SHOULD NOT BE USED WITHOUT WRITTEN PERMISSION		CURRENT REV DESC:		<p>DRIVER ASSEMBLY SINGLE/DUAL CHANNEL</p> <p>PRODUCT CUSTOMER DRAWING</p>				
	DIMENSION UNITS	SCALE	GENERAL TOLERANCES (UNLESS SPECIFIED)						
	MM/INCH	NTS	MM	INCH					
	4 PLACES ±	±	± 0.25	± 0.01					
		3 PLACES ±	±		EC NO: 700562				
		2 PLACES ±	± 0.5	± 0.02	DRWN: UKOWSHIKARAN 2022/03/22				
		1 PLACE ±	±	±	CHK'D: RCG 2022/03/28				
		0 PLACES ±	±	±	APPR: RCG 2022/03/28				
		ANGULAR TOL	± °		INITIAL REVISION:				
					DRWN: GALLEN02 2017/12/12				
					APPR: JAGRO 2018/10/03				
		DRAFT WHERE APPLICABLE MUST REMAIN WITHIN DIMENSIONS	THIRD ANGLE PROJECTION	DRAWING	SERIES	DOCUMENT NUMBER	DOC TYPE	DOC PART	REVISION
				D-SIZE	180996	1809960000	PSD	000	B
						SEE TABLE	GENERAL MARKET		4 OF 7



PART NO.	DRIVER ASM	INPUT CURRENT MAX.	OUTPUT CURRENT MAX.	OUTPUT POWER MAX.	STATUS
180996-6101	DUAL CHANNEL	600mA	350mA	28W	ACTIVE
180996-6102	DUAL CHANNEL	850mA	500mA	40W	ACTIVE
180996-6103	DUAL CHANNEL	900mA	700mA	42W	ACTIVE
180996-6104	DUAL CHANNEL	900mA	1050mA	42W	ACTIVE
180996-6106	DUAL CHANNEL	900mA	880mA	42W	ACTIVE
180996-6107	DUAL CHANNEL	520mA	300mA	26W	ACTIVE
180996-6108	DUAL CHANNEL	1025mA	1200mA	51W	ACTIVE
180996-6109	DUAL CHANNEL	1200mA	1400mA	59W	ACTIVE

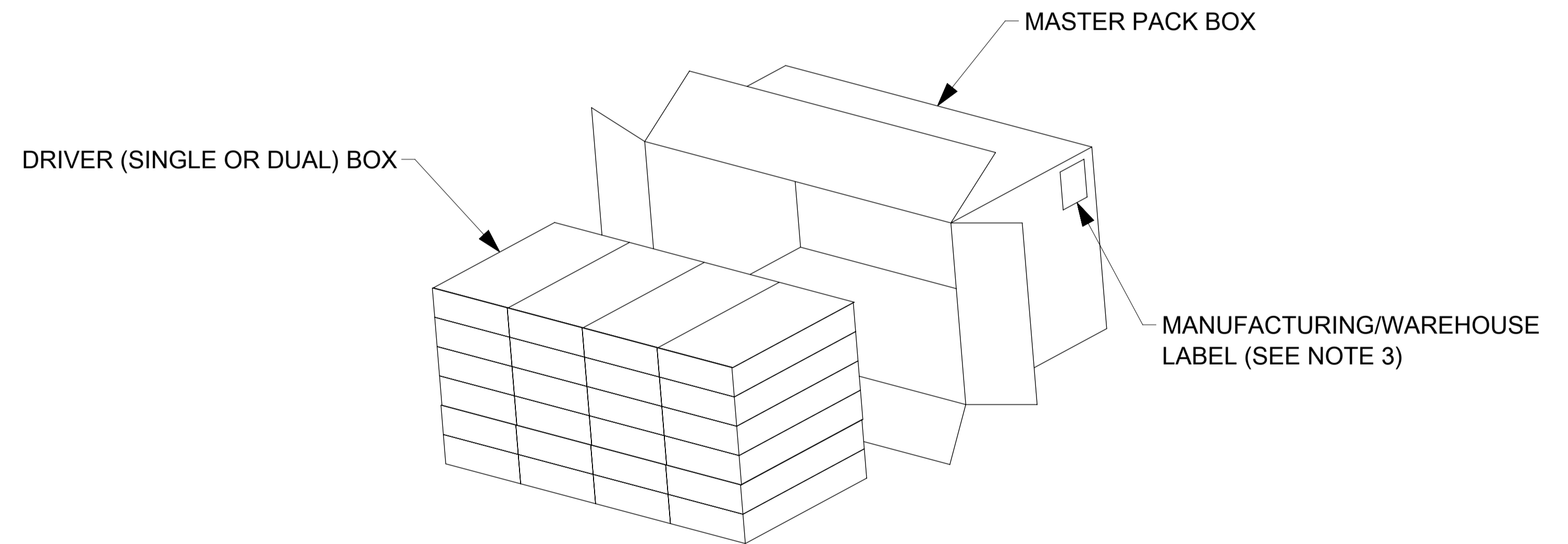
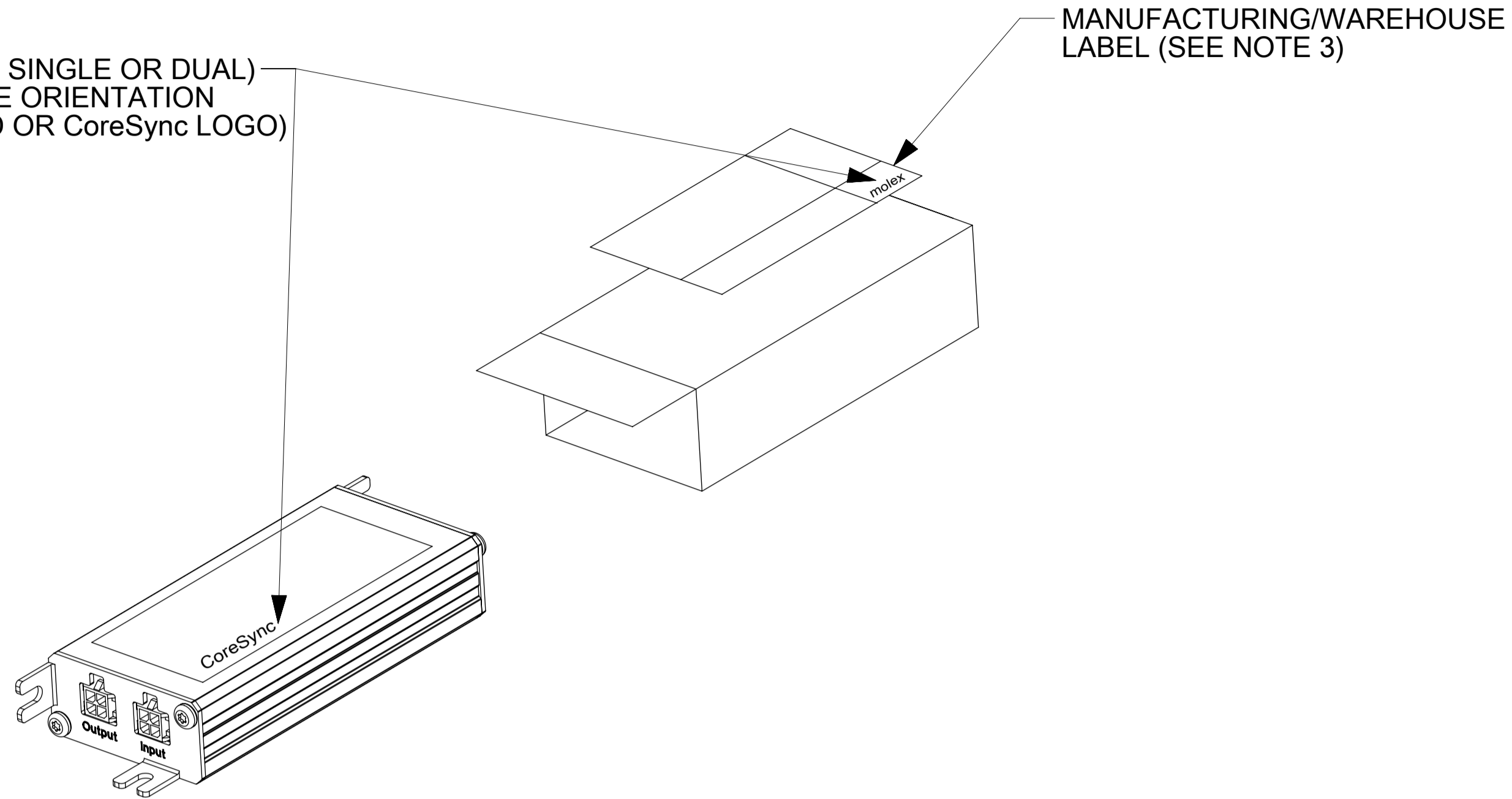
# DUAL DRIVER ASSEMBLY UNIVERSAL MOUNT



- NOTES:
- HOUSING EXTRUSION  
MATERIAL: ANODIZED ALUMINUM
  - STAMPED END CAP LEFT & RIGHT  
MATERIAL: ALUMINUM  
FINISH: TEXTURED POWDER COAT, BLACK

FUNCTIONAL SYMBOLS FA=0 FC=0 FP=0	THIS DRAWING CONTAINS INFORMATION THAT IS PROPRIETARY TO MOLEX ELECTRONIC TECHNOLOGIES, LLC AND SHOULD NOT BE USED WITHOUT WRITTEN PERMISSION														
	DIMENSION UNITS MM/INCH		SCALE NTS		CURRENT REV DESC:										
	GENERAL TOLERANCES (UNLESS SPECIFIED)				EC NO: 700562										
			MM	INCH	DRWN: UKOWSHIKARAN 2022/03/28				<b>DRIVER ASSEMBLY</b> <b>SINGLE/DUAL CHANNEL</b>						
		4 PLACES ±	±	CHK'D: RCG 2022/03/28											
		2 PLACES ±	0.25 ± 0.01	APPR: RCG 2022/03/28				<b>PRODUCT CUSTOMER DRAWING</b>							
		1 PLACE ±	0.5 ± 0.02	INITIAL REVISION:											
		0 PLACES ±	±	DRWN: GALLEN02 2017/12/12				<b>DOCUMENT NUMBER</b> <b>1809960000</b>							
		ANGULAR TOL ± °		APPR: JAGRO 2018/10/03						<b>DOC TYPE</b> PSD <b>DOC PART</b> 000 <b>REVISION</b> B					
		DRAFT WHERE APPLICABLE MUST REMAIN WITHIN DIMENSIONS		THIRD ANGLE PROJECTION		DRAWING A1-SIZE		SERIES 180996		<b>MATERIAL NUMBER</b> SEE TABLE		<b>CUSTOMER</b> GENERAL MARKET		<b>SHEET NUMBER</b> 6 OF 7	

INSERT DRIVER SINGLE OR DUAL INTO BOX (NOTE ORIENTATION OF TRANSCEND OR CoreSync LOGO)



NOTES:

1. PLACE DRIVER ASSEMBLY INTO BOX AS SHOWN.
2. PLACE 24 DRIVER BOXES INTO MASTERPACK.
3. INSTRUCTION SHEET CAN BE FOUND AT DIRECTORY BELOW:

[http://www.literature.molex.com/SQLImages/kelmscott/Molex/PDF\\_Images/987651-6631.pdf](http://www.literature.molex.com/SQLImages/kelmscott/Molex/PDF_Images/987651-6631.pdf)

FUNCTIONAL SYMBOLS	THIS DRAWING CONTAINS INFORMATION THAT IS PROPRIETARY TO MOLEX ELECTRONIC TECHNOLOGIES, LLC AND SHOULD NOT BE USED WITHOUT WRITTEN PERMISSION											
	DIMENSION UNITS	SCALE		CURRENT REV DESC:								
$\frac{F}{A} = 0$	MM/INCH	NTS		EC NO: 700562 DRWN: UKOWSHIKARAN 2022/03/22 CHK'D: RCG 2022/03/28 APPR: RCG 2022/03/28								
DIVISIONAL SYMBOLS	GENERAL TOLERANCES (UNLESS SPECIFIED)							INITIAL REVISION:				DOCUMENT NUMBER
$\frac{F}{C} = 0$		MM	INCH	DRWN: GALLEN02 2017/12/12				1809960000		PSD	000	B
$\frac{F}{P} = 0$	4 PLACES	±	±	APPR: JAGRO 2018/10/03				SEE TABLE		GENERAL MARKET		
	3 PLACES	±	±	DRAFT WHERE APPLICABLE MUST REMAIN WITHIN DIMENSIONS				A1-SIZE		7 OF 7		
	2 PLACES	±	± 0.01	THIRD ANGLE PROJECTION				SERIES		SHEET NUMBER		
	1 PLACE	±	± 0.02	DRAWING				180996		7 OF 7		
	0 PLACES	±	±	DRAWING				SEE TABLE		7 OF 7		
	ANGULAR TOL		± °	DRAWING				SERIES		SHEET NUMBER		