

4

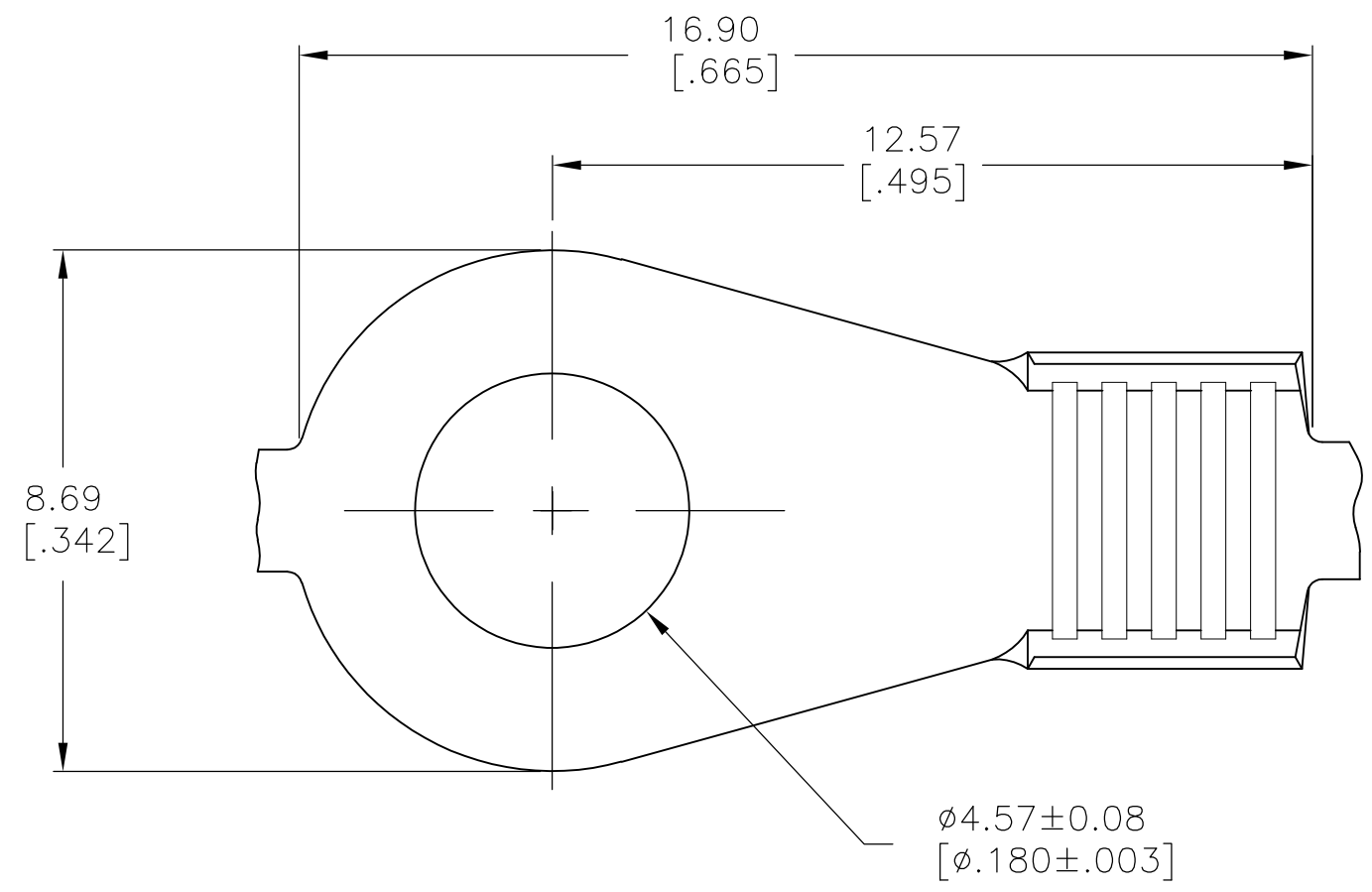
3

2

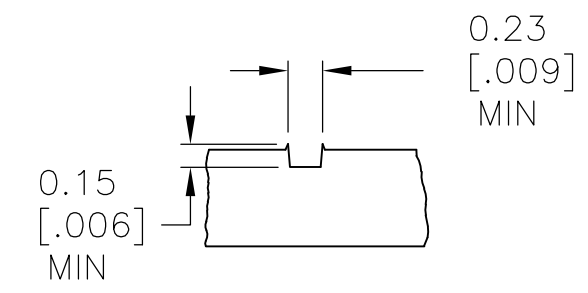
1

THIS DRAWING IS UNPUBLISHED. RELEASED FOR PUBLICATION
 © COPYRIGHT - By TYCO ELECTRONICS CORPORATION. ALL RIGHTS RESERVED.

LOC	DIST	REVISIONS			
P	LTR	DESCRIPTION	DATE	DWN	APVD
AF	50	B	REVISE PER ECR-13-013738	15FEB2014	GRZ JL

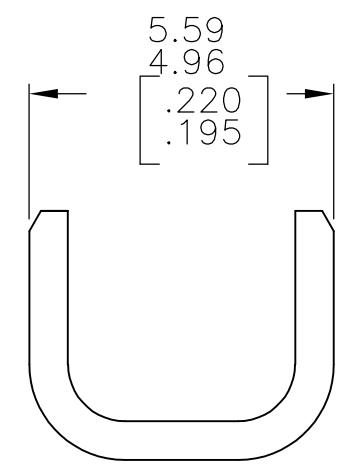
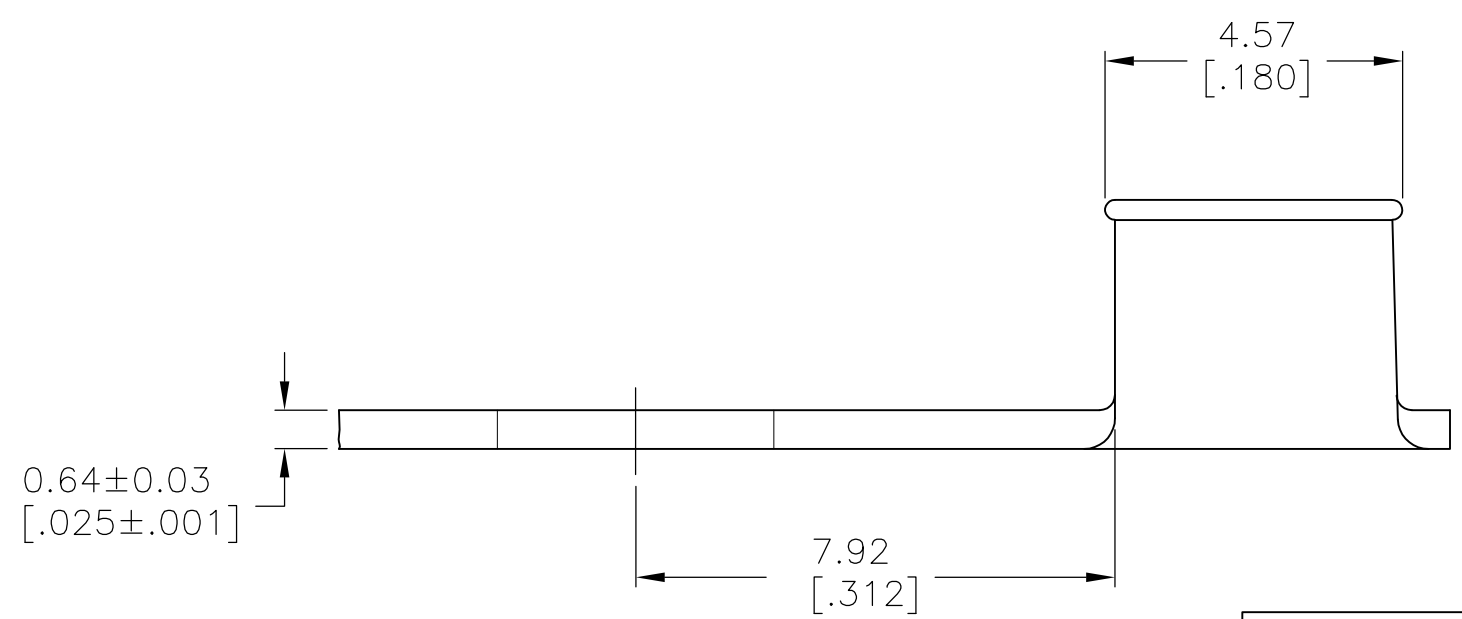


- 1 CONTINUOUS STRIP ON REELS
- 2 WIRE RANGE: 11 - 13



SERRATION DETAIL
SCALE 20:1

APPLIES ONLY AT STRAIGHT PORTION
ON SIDES OF BARREL



350571-1
PART NO

THIS DRAWING IS A CONTROLLED DOCUMENT.		DWN RAGHAVENDRA 03MAR09	STE TE Connectivity		
DIMENSIONS: mm [INCHES]		CHK JEFF RUTH 03MAR09			
TOLERANCES UNLESS OTHERWISE SPECIFIED:		APVD DON DECKER 03MAR09	NAME		
0 PLC ± -		PRODUCT SPEC	RING AMPLIVAR		
1 PLC ± -		APPLICATION SPEC	SIZE	CAGE CODE	DRAWING NO
2 PLC ± -		WEIGHT -	A3	00779	C-350571
3 PLC ± 0.38 [.015]		CUSTOMER DRAWING	SCALE	SHEET	REV
4 PLC ± -			8:1	1 OF 1	B
ANGLES ± 1° 0'					
MATERIAL BRASS	FINISH TIN				