

SACB-10/3-L-C-M8 HD - Sensor/actuator box



1197621

<https://www.phoenixcontact.com/us/products/1197621>

Please be informed that the data shown in this PDF document is generated from our Online Catalog. Please find the complete data in the user documentation. Our General Terms of Use for Downloads are valid.



Sensor/actuator box, application: Standard, connection method: M8 socket Metal, number of slots: 10, number of positions: 3, coding: A, slot assignment: single, status display: Yes, pnp; master cable connection: Pluggable screw connection 180°, shielding: no

Your advantages

- Safety in the field, thanks to molded housing and high degree of protection
- Convenient: increased machine availability thanks to quick and easy diagnostics
- Flexible: distributor box with connector hood for on-site assembly

Commercial Data

Item number	1197621
Packing unit	1 pc
Minimum order quantity	1 pc
Sales Key	BF40
Product Key	BF3BCD
GTIN	4063151257941
Weight per Piece (including packing)	266.6 g
Weight per Piece (excluding packing)	266.6 g
Customs tariff number	85444290
Country of origin	DE

SACB-10/3-L-C-M8 HD - Sensor/actuator box



1197621

<https://www.phoenixcontact.com/us/products/1197621>

Technical Data

Notes

Note regarding documentation	For details about the PCB connectors used, refer to the technical data for MC 1,5/10-STF-3,5 (1847204)
Assembly instruction:	NOTE: Observe the permissible bending radii when laying conductors, since the degree of protection may be put in jeopardy if the bending forces are too high. Alleviate mechanical loads upstream of the connector, e.g. by using cable ties.
Note on application	Unused slots are to be sealed off prior to commissioning. Suitable sealing elements are to be found under "Accessories".

Product properties

Product type	Distributor boxes with M8 to M12 slots
Number of positions	3
Application	Standard
Number of slots	10
Coding	A

Material specifications

Color	black
Material Threaded sleeve	Cu alloy
Material Housing	PBT
Material Molding compound	PUR
Seal material O-ring	FKM
Seal material	FKM
Contact material	CuZn
Contact surface material	Ni/Au
Contact carrier material	PBT
Material of contact, master cable side	CU alloy
Material of the contact carrier on the master cable side	PA
Material of contact surface, master cable side	tin-plated

Connection data

Conductor connection

Connection method	Pluggable screw connection
Stripping length	7 mm
Conductor cross section flexible	0.14 mm ²
Cross section AWG	261.5 mm ²
Conductor cross section flexible	0.14 mm ²
Cross section AWG	2616
Tightening torque, cover screw	1 Nm
Tightening torque of mounting screw for fixing the housing	0.8 Nm

Pin assignment

SACB-10/3-L-C-M8 HD - Sensor/actuator box



1197621

<https://www.phoenixcontact.com/us/products/1197621>

Slot/position = Wire color or connection	1 / 4 (A) = 1 / 4
	2 / 4 (A) = 2 / 4
	3 / 4 (A) = 3 / 4
	4 / 4 (A) = 4 / 4
	5 / 4 (A) = 5 / 4
	6 / 4 (A) = 6 / 4
	7 / 4 (A) = 7 / 4
	8 / 4 (A) = 8 / 4
	9 / 4 (A) = 9 / 4
	10 / 4 (A) = 10 / 4
	1-10 / 1 (+24 V) = U _N
	1-10 / 3 (0 V) = 0 V

Signaling

Status display present	Yes
------------------------	-----

Electrical properties

Max. operating voltage U _{max}	30 V DC
Local diagnostics	Supply voltage Green LED
	Status display I/O Yellow LED
Nominal voltage U _N	24 V DC
Rated current, total	8 A
Max. current carrying capacity per path	2 A
Current carrying capacity per slot	2 A

Standards and regulations

Standards/specifications	IEC 61076-2-104
--------------------------	-----------------

Environmental and real-life conditions

Ambient conditions

Degree of protection	IP67
Ambient temperature (operation)	-25 °C ... 80 °C

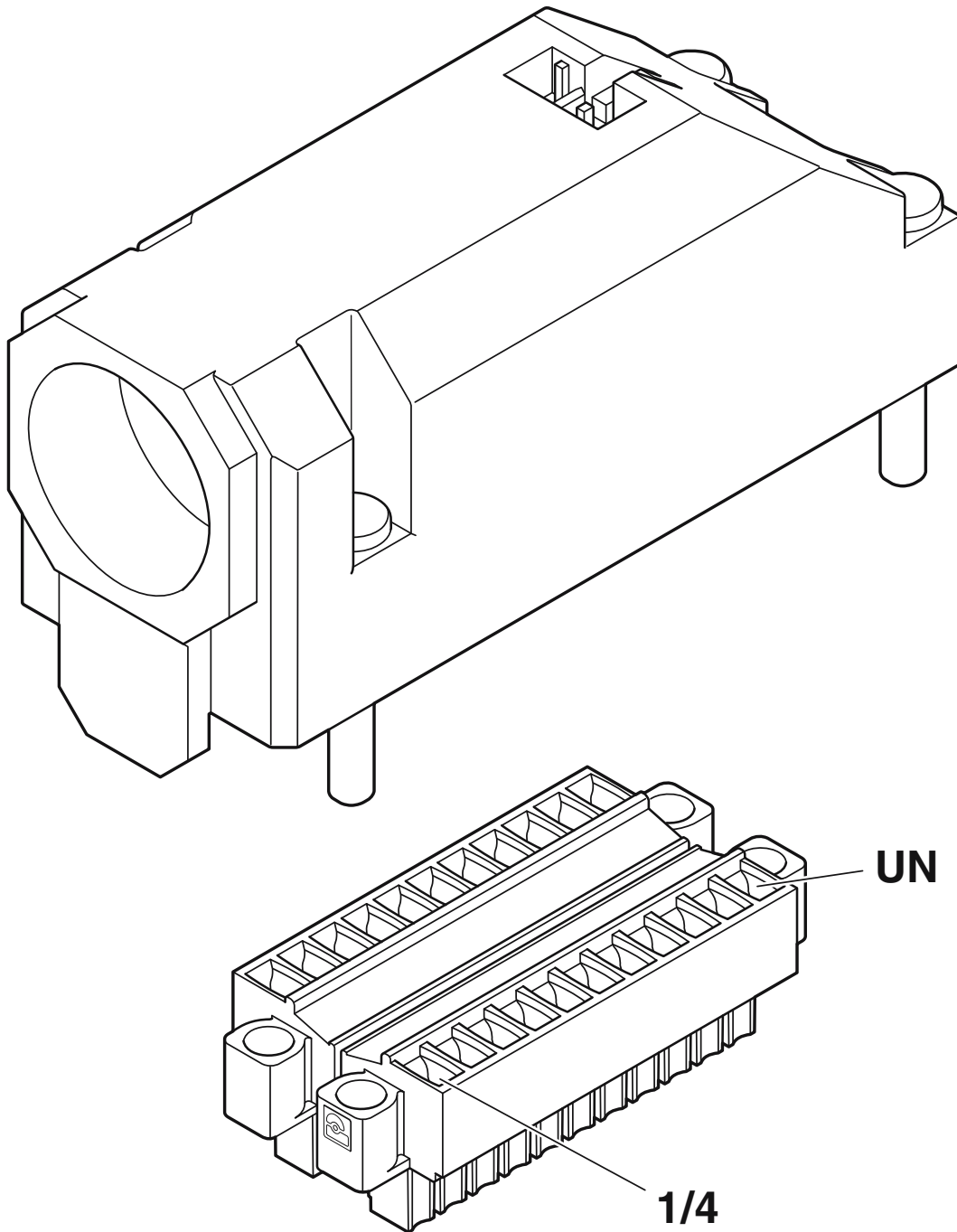
SACB-10/3-L-C-M8 HD - Sensor/actuator box

1197621

<https://www.phoenixcontact.com/us/products/1197621>

Drawings

Schematic diagram



PCB connector positioning - the UN connection is on the end of the connector hood opposite the cable gland

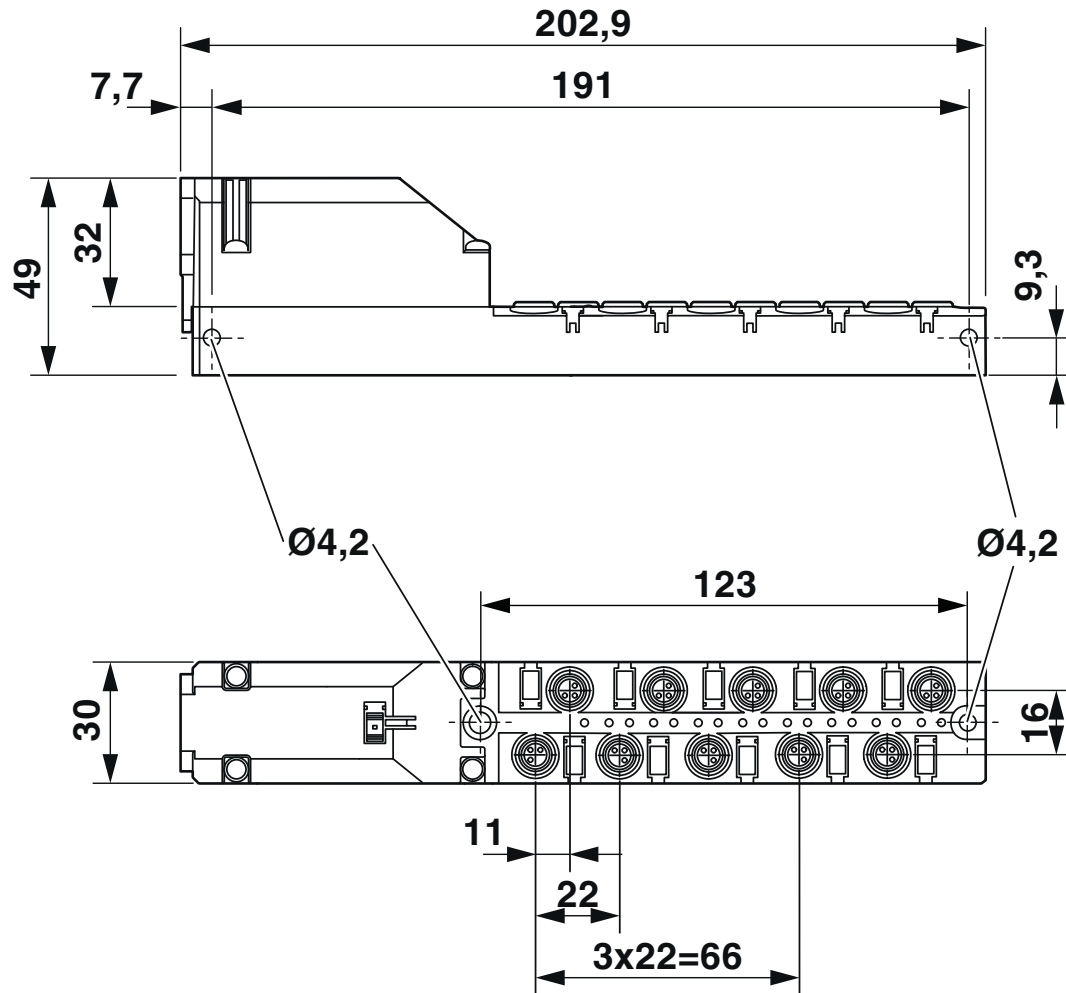
SACB-10/3-L-C-M8 HD - Sensor/actuator box



1197621

<https://www.phoenixcontact.com/us/products/1197621>

Dimensional drawing

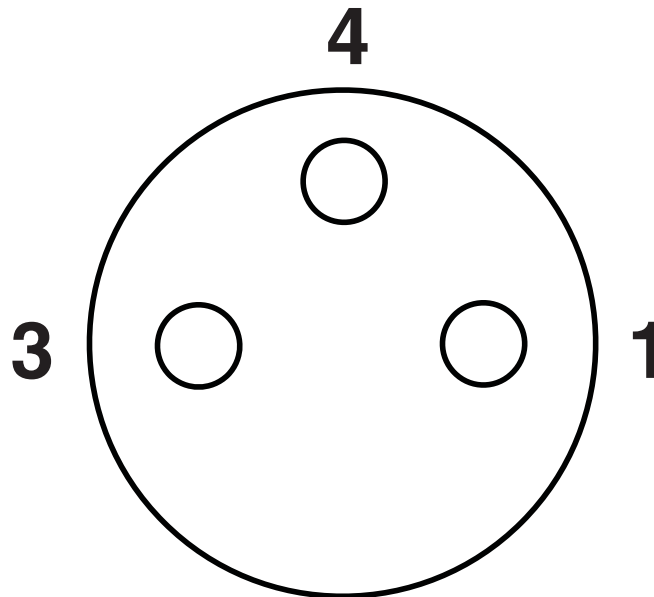


SACB-10/3-L-C-M8 HD - Sensor/actuator box

1197621

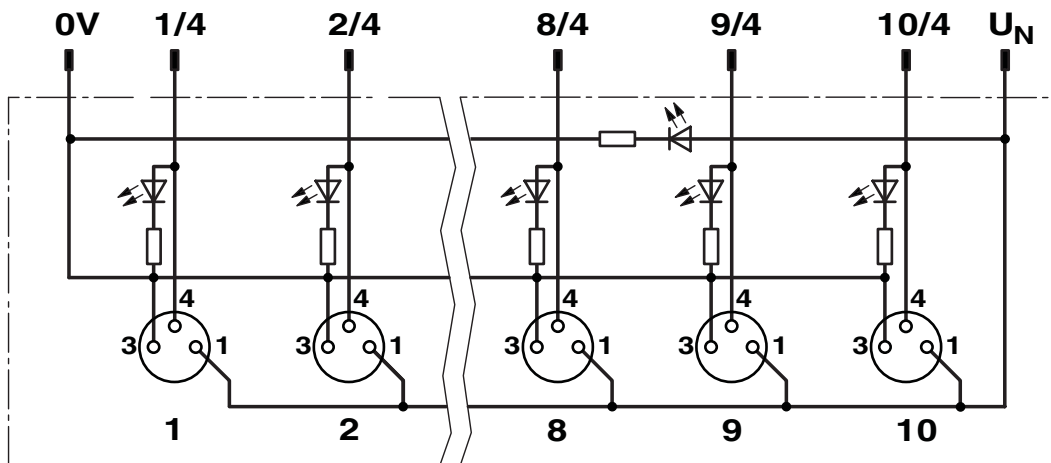
<https://www.phoenixcontact.com/us/products/1197621>

Schematic diagram



M8 slot, socket, 3-pos.

Circuit diagram



SACB-10/3-L-C-M8 HD - Sensor/actuator box



1197621

<https://www.phoenixcontact.com/us/products/1197621>

Classifications

ECLASS

ECLASS-11.0	27440111
ECLASS-12.0	27440111
ECLASS-13.0	27440111

ETIM

ETIM 8.0	EC003558
----------	----------

UNSPSC

UNSPSC 21.0	31251500
-------------	----------

SACB-10/3-L-C-M8 HD - Sensor/actuator box



1197621

<https://www.phoenixcontact.com/us/products/1197621>

Environmental Product Compliance

China RoHS	Environmentally friendly use period: unlimited = EFUP-e
	No hazardous substances above threshold values

SACB-10/3-L-C-M8 HD - Sensor/actuator box



1197621

<https://www.phoenixcontact.com/us/products/1197621>

Accessories

PROT-M8 - Screw plug

1682540

<https://www.phoenixcontact.com/us/products/1682540>



An M8 screw plug for the unoccupied M8 sockets of the sensor/actuator cable, boxes and flush-type connectors

SAC BIT M8-D10 - Tool

1208461

<https://www.phoenixcontact.com/us/products/1208461>



Nut for assembling M8 connectors with longitudinal knurl and a knurl diameter of 10 mm, for 4 mm hexagonal drive

SACB-10/3-L-C-M8 HD - Sensor/actuator box



1197621

<https://www.phoenixcontact.com/us/products/1197621>

SZS 0,4X2,5 VDE - Screwdriver

1205037

<https://www.phoenixcontact.com/us/products/1205037>



Screwdriver, slot-headed, VDE insulated, size: 0.4 x 2.5 x 80 mm, 2-component grip, with non-slip grip

SF-BIT-SL 0,45X2,4-70 - Screw insert

1212607

<https://www.phoenixcontact.com/us/products/1212607>



Screw bit, slotted, E6.3-1/4" drive, size: 0.45 x 2.4 x 70 mm, hardened, suitable for holder according to DIN 3126-F6.3/ISO 1173

Phoenix Contact 2023 © - all rights reserved
<https://www.phoenixcontact.com>

Phoenix Contact USA
586 Fulling Mill Road
Middletown, PA 17057, United States
(+717) 944-1300
info@phoenixcon.com