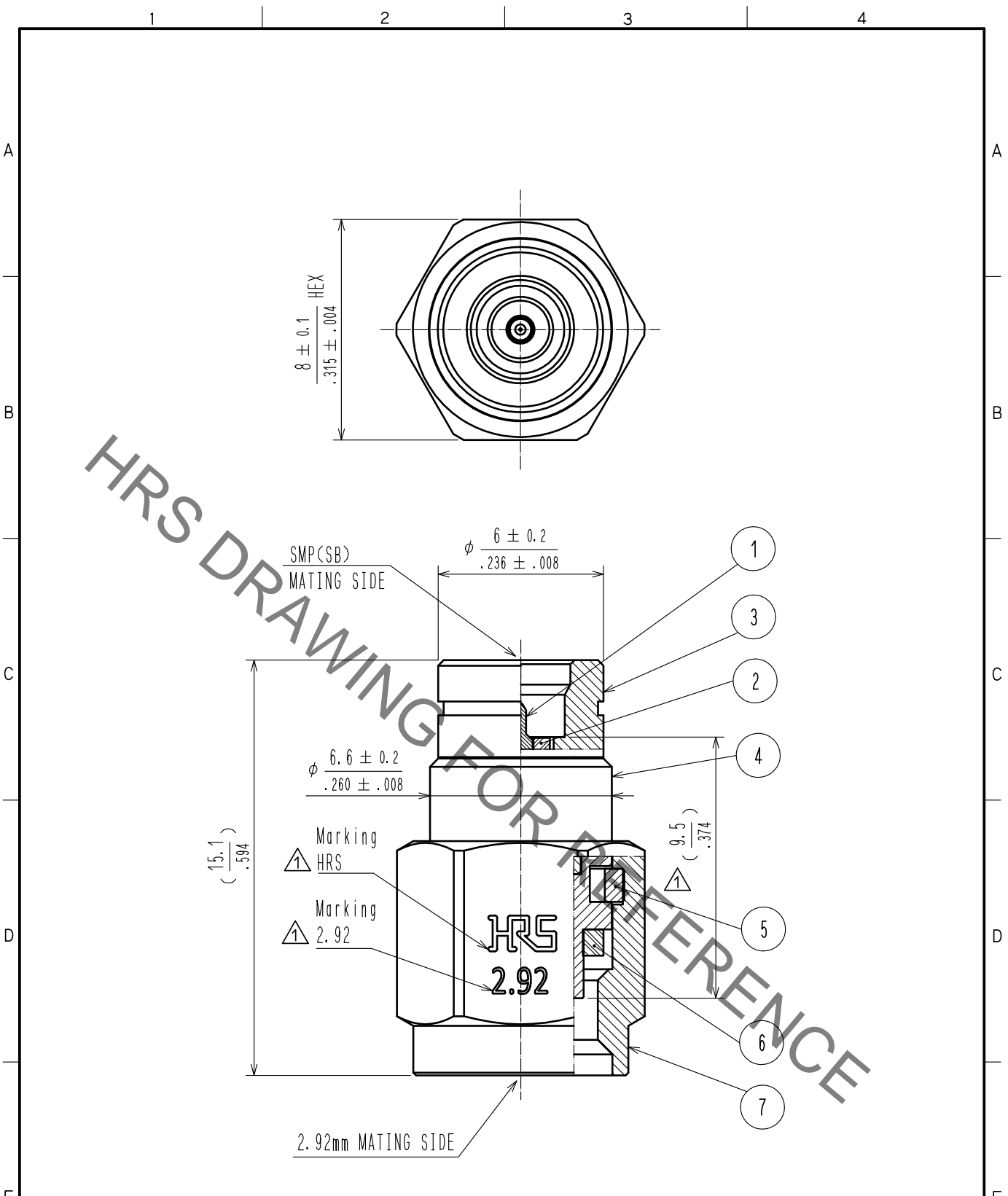


May.1.2023 Copyright 2023 HIROSE ELECTRIC CO., LTD. All Rights Reserved.
 In case of consideration for using Automotive equipment / device which demand high reliability, kindly contact our sales window correspondents.



HRS DRAWING FOR REFERENCE

RoHS COMPLIANT

4	BRASS	GOLD PLATING					
3	STAINLESS STEEL	PASSIVATE	7	STAINLESS STEEL	PASSIVATE		
2	PTFE		6	SILICONE RUBBER			
1	PHOSPHOR BRONZE	GOLD PLATING	5	BERLLIUM COPPER	NICKEL PLATING		
NO.	MATERIAL	FINISH .	REMARKS	NO.	MATERIAL	FINISH .	REMARKS

UNITS mm		SCALE 5 : 1	COUNT 3	DESCRIPTION OF REVISIONS DIS-D-00002439	DESIGNED AH. MARUYAMA	CHECKED TS. NOBE	DATE 17. 09. 12
APPROVED : KH. IKEDA 17. 01. 17 CHECKED : TS. NOBE 17. 01. 17 DESIGNED : AH. MARUYAMA 17. 01. 16 DRAWN : AH. MARUYAMA 17. 01. 16				DRAWING NO. EDC-371346-00-00 PART NO. SMPP(SB)-HKP CODE NO. CL311-1001-0-00			



HIROSE
ELECTRIC
CO., LTD.