



# i10 LED Area Light

450W

37.20"

32.55"

13.34"

13.34"

6.29"

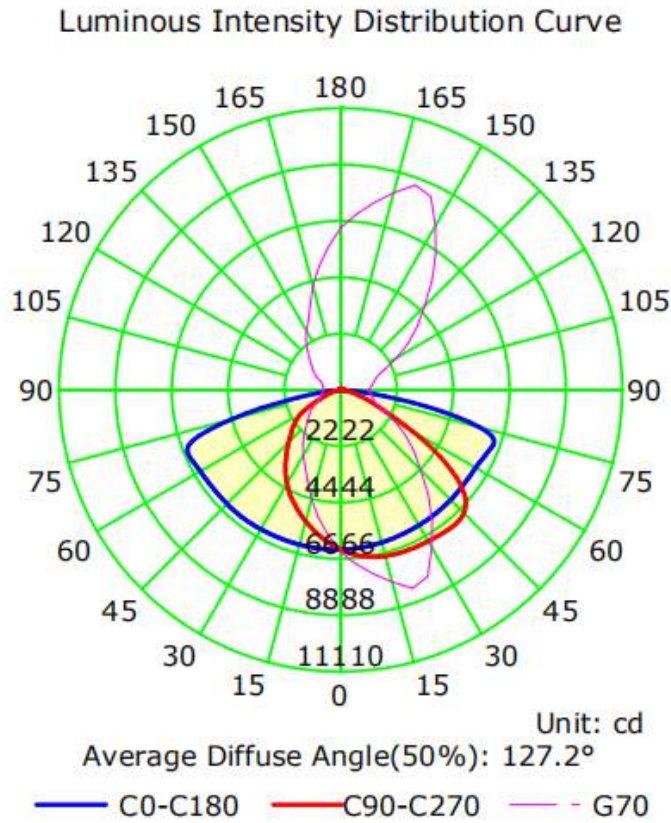
3.74"

SKU #	Model #	Housing	Watts	Lumens	CCT	Input Voltage	IP	Tier 1 1-24	Tier 2 24-49	Tier 3 50+
151695	BLT-S-G07-450WCT3B2-BH3RPDM50	Bronze	450W	54000Lm	5000K	100-277V	IP65	\$309.99	\$299.99	\$289.99



# i10 LED Area Light

## 150W Distribution Diagram



Luminaire Manufacturer:  
Voltage: 120.2 V  
Power: 153.10 W

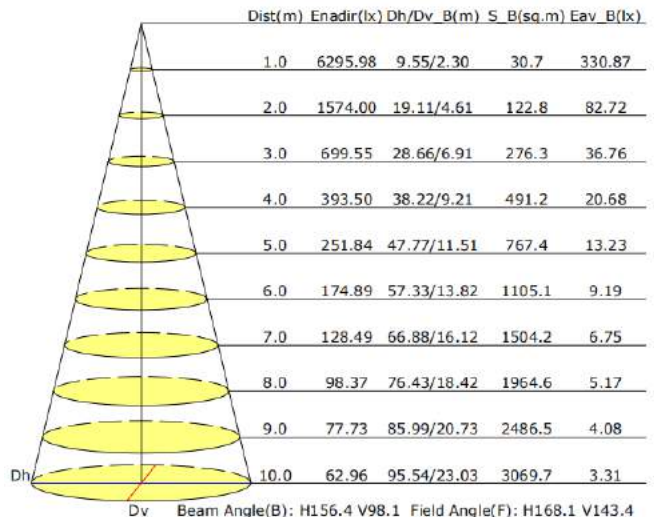
### Photometric Results

IES Classification: Type III  
Total Rated Lamp Lumens: 25178.7 lm  
Efficiency: 100%  
Upward Ratio: 1%  
Central Intensity: 6295.98 cd  
Pos of Max. Intensity: H157.5 V70

Current: 1.276 A  
Power Factor: 0.998

Longitudinal Classification: Medium  
Measurement Flux: 25178.7 lm  
Downward Ratio: 99%  
Luminaire Efficacy Rating (LER): 164.51  
Max. Intensity: 8888.45 cd

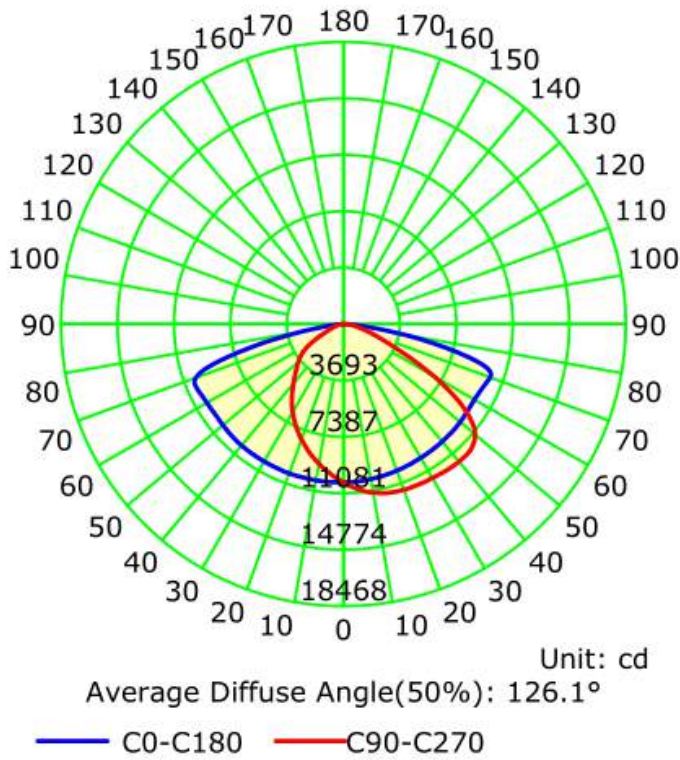
### Illuminance at a Distance(Beam Angle)



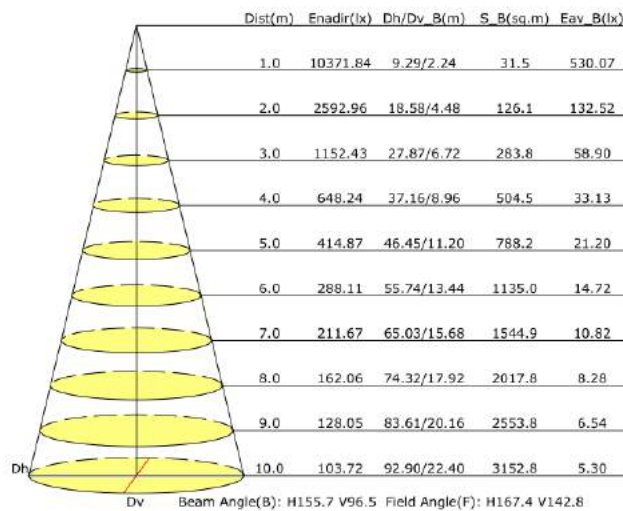
# i10 LED Area Light

## 240W Distribution Diagram

Luminous Intensity Distribution Curve

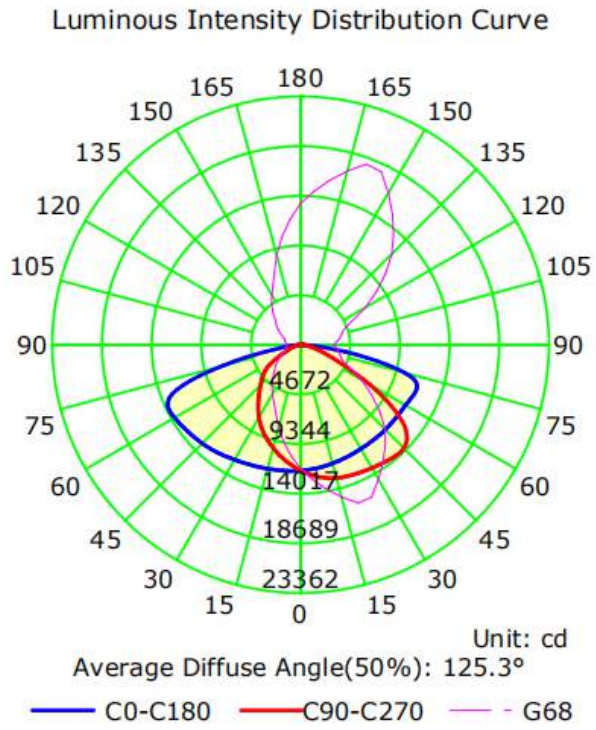


Illuminance at a Distance



# i10 LED Area Light

## 300W Distribution Diagram



### Luminaire Property

Luminaire Manufacturer:  
Voltage: 120.7 V  
Power: 303.00 W

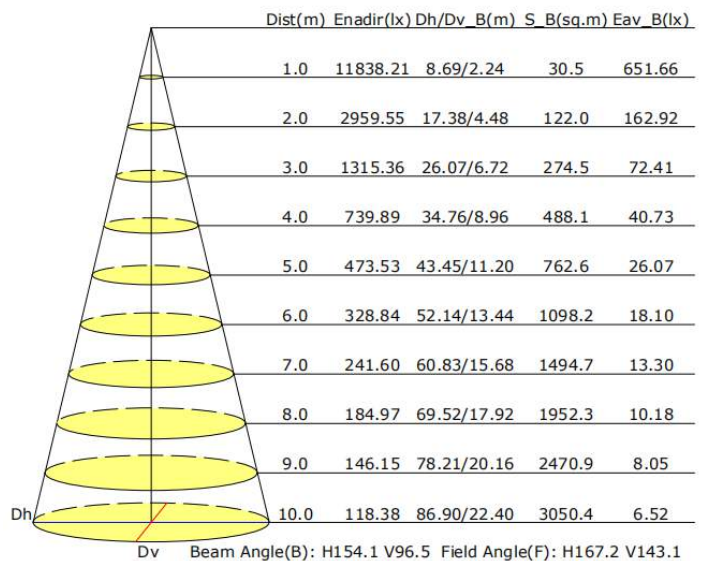
### Photometric Results

IES Classification: Type III  
Total Rated Lamp Lumens: 49132.1 lm  
Efficiency: 100%  
Upward Ratio: 1%  
Central Intensity: 11838.21 cd  
Pos of Max. Intensity: H157.5 V68

Current: 2.512 A  
Power Factor: 0.999

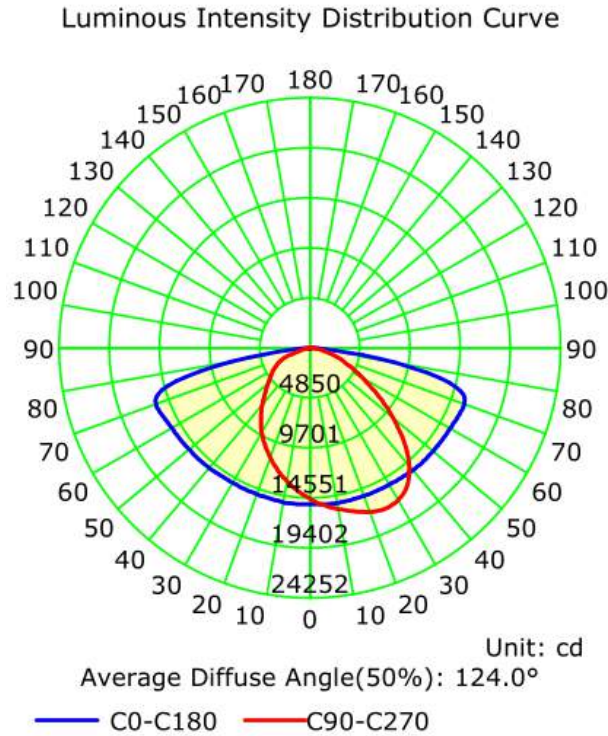
Longitudinal Classification: Medium  
Measurement Flux: 49132.1 lm  
Downward Ratio: 99%  
Luminaire Efficacy Rating (LER): 162.20  
Max. Intensity: 18689.78 cd

### Illuminance at a Distance(Beam Angle)



# i10 LED Area Light

## 450W Distribution Diagram



### Luminaire Property

Luminaire Manufacturer:  
Voltage: 120.3 V  
Power: 448.00 W

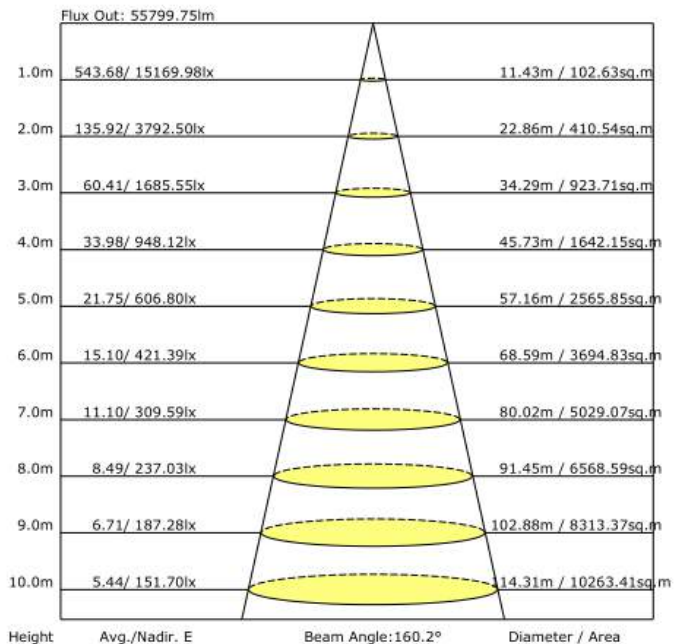
### Photometric Results

IES Classification: Type IV  
Total Rated Lamp Lumens: 57631.0 lm  
Efficiency: 100%  
Upward Ratio: 1%  
Central Intensity: 15169.98 cd  
Pos of Max. Intensity: H15 V72

Current: 3.742 A  
Power Factor: 0.995

Longitudinal Classification: Medium  
Measurement Flux: 57631 lm  
Downward Ratio: 99%  
Luminaire Efficacy Rating (LER): 128.69  
Max. Intensity: 19402.29 cd

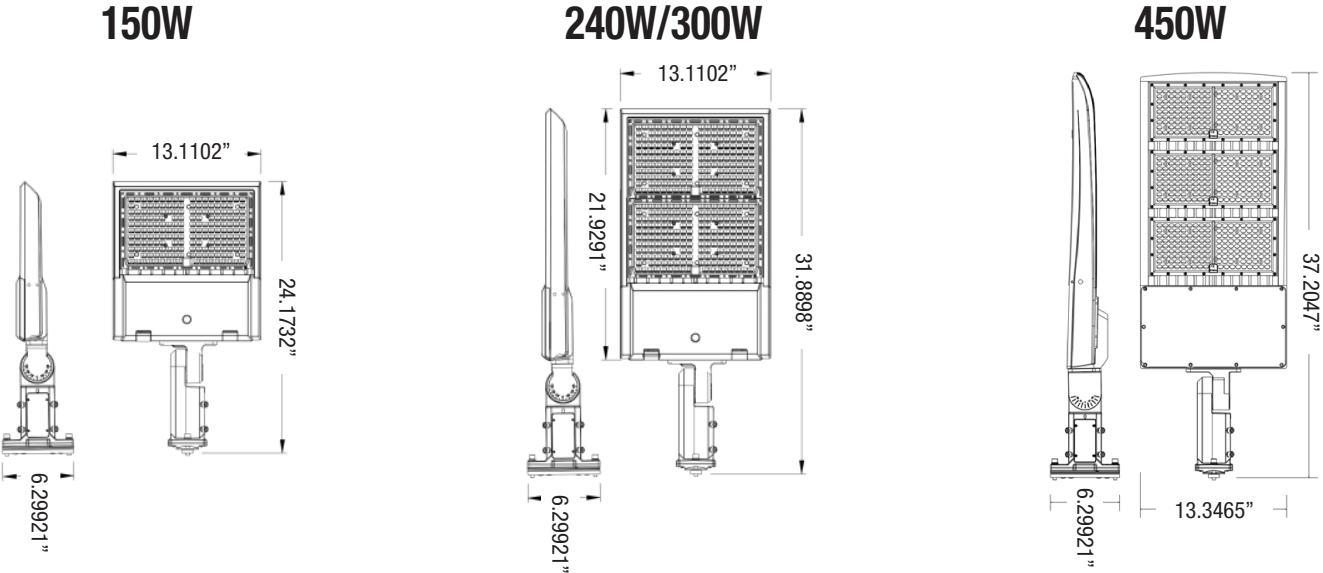
### The Average Illuminance Effective Figure



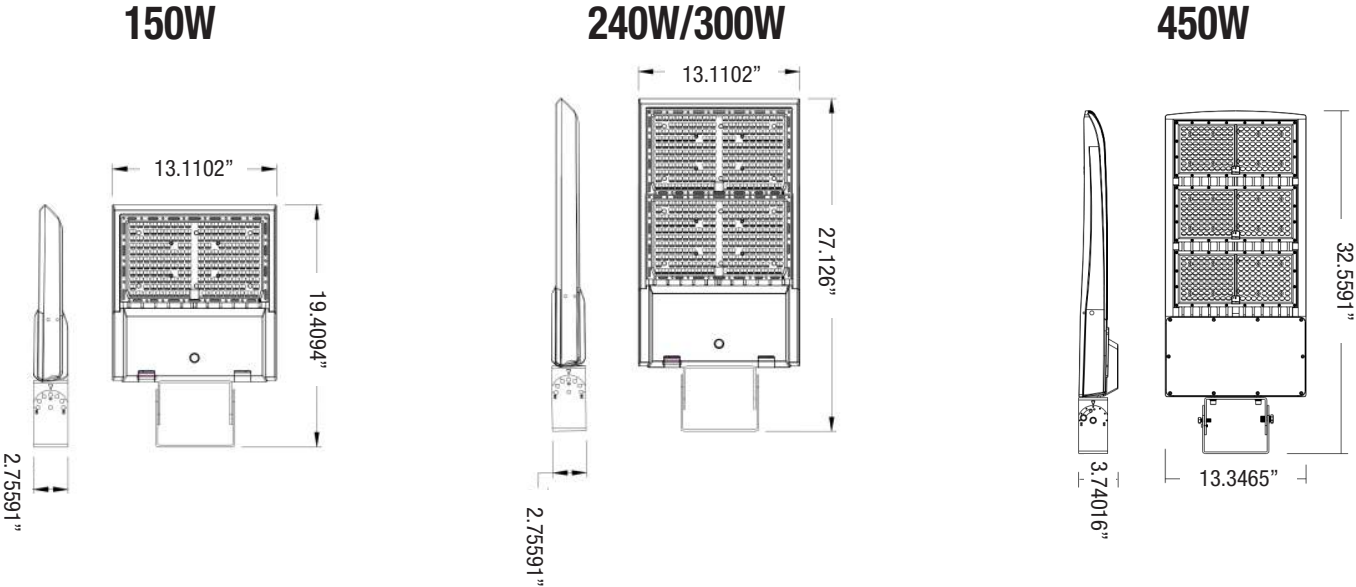
# i10 LED Area Light

## Dimensions

### Universal Mount



### Yoke Mount



# i10 LED Area Light

## Packaging

Tolerance of Carton Size:  $\pm 0.590551$  in, Tolerance of Weight:  $\pm 10\%$ .

Model	Pcs/Box	Dimensions	Weight	Pallet Quantity	Pallet Weight	Pallet Dimensions
150W	1	20" X 16" X 7"	14 Lb			
240W	1	28" X 16" X 7"	21 Lb			
300W	1	28" X 16" X 7"	21 Lb			
450W	1					
Yoke Mount	1	10" X 5" X 5"	4 Lb			
Universal Mount	1	10" X 5" X 5"	6 Lb			



## User Notice

- Please turn off the power before installing or changing assembly parts.
- The input voltage and lamps should be matching. Before connecting the power line, please make sure the wiring section is insulated.
- Only professionals should install and disassemble the lamps.

## Trouble Shooting

- Flickering light - Turn off the power and turn on again in 3 minutes. If the same phenomena occurs, then call Support.
- Not working - Please check all power connections.



# i10 LED Area Light

## Application

