

## SUMMARY



Image is for illustrative purpose only

### # Wires

Triax 1

|                  |                                   |
|------------------|-----------------------------------|
| Series           | 1S                                |
| Termination type | Male solder                       |
| IP rating        | 50                                |
| AWG wire size    | 0.00 - 0.00                       |
| Cable Ø          | 0.00 - 0.00 mm                    |
| Status           | active                            |
| Matching parts   | <a href="#">FFA.1S.650.CTLC62</a> |

### Download

[Request a quote](#)

[Catalog](#)

## TECHNICAL DETAILS

### Mechanics

|                   |   |
|-------------------|---|
| Shell Style/Model | ERN*: Fixed receptacle, nut fixing, with grounding tab  |
| Keying            | Circular, male  |
| Housing Material  | Brass (chrome plated [SAE AMS 2460]) shell and collet nut, nickel plated [SAE AMS QQ N 290] brass latch sleeve and mid pieces |
| Weight            | 8.89 g  |

### Performance

|               |                           |
|---------------|---------------------------|
| Configuration | 1S.650 : 1 Triax (50 Ohm) |
| Insulator     | T: PTFE                   |
| Rated Current | 6 Amps                    |

### Specifications

Contact Type: Triaxial 50 Ohm (Solder)  
Contact Dia.: 0.9 mm (0.035in)  
Vtest: 1200 V (AC), 1700 V (DC)  
Impedance: 50 Ohm  
VSWR: 1.01 + 0.17 \* f /GHz  
Cable type: RGT 178, RGT 174, Belden 9222

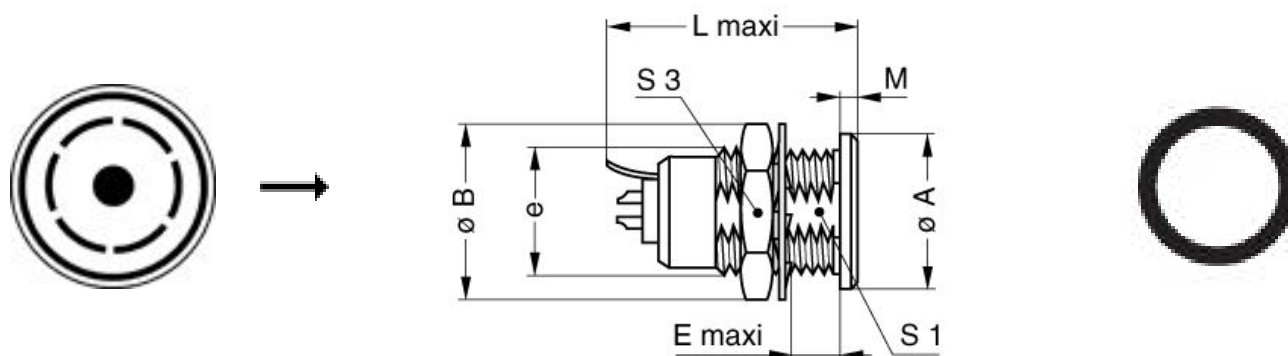
### Others

LEMO products and services are provided "as is". LEMO makes no warranties or representations with regard to LEMO product & services or use of them, express, implied or statutory, including for accuracy, completeness, or security. The user is fully responsible for his products and applications using LEMO components.

Endurance (Shell): 5000 mating cycles  
Temp (min / max): -55°C / +250°C  
Humidity (max): <=95% [at 60 deg C / 140 F]  
Vibration: 15 g [10 Hz - 2000 Hz]  
Shock Resistance: 100 g [ 6 ms]  
Climatical Category: 50/175/21  
Shielding (min): 75 dB (10 MHz)  
Shielding (min): 40 dB (1 GHz)  
Salt Spray Corrosion: >1000 hr

---

## DRAWINGS



---

## RECOMMENDED BY LEMO

### Tools

Spanner wrench: [Socket for torque wrench DCM.1S.M12.4](#)

*LEMO products and services are provided "as is". LEMO makes no warranties or representations with regard to LEMO product & services or use of them, express, implied or statutory, including for accuracy, completeness, or security. The user is fully responsible for his products and applications using LEMO components.*