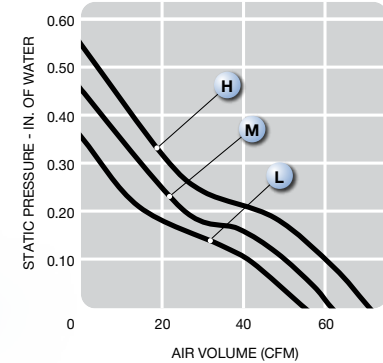
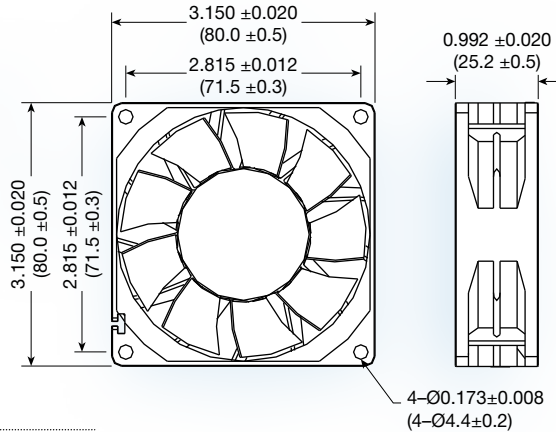


# MS8025-H series



**(80 x 80 x 25 mm)**

3.15 x 3.15 x 1.00 inches

**Features:** soft start, polarity protection, auto-restart

**Operating Voltage:** 12, 24 and 48 VDC

**Construction:** UL94V-0 plastic impeller and plastic frame

**Bearing option:** ball bearing

**Air Flow:** air exhaust over struts

**Options:**

- tachometer;
- locked rotor alarm signal;
- PWM speed control;
- conformal coating;
- encapsulated motor (IP68)



Model No.	Rated Voltage VDC	Current A			Speed RPM	Air Volume		Max. Static Pressure (H <sub>2</sub> O)		Sound Noise dbA	Weight g
		12	24	48		M <sup>3</sup> /Min.	CFM	MM	INCH		
<b>MS8025L-H</b>	12/24/48	0.34	0.17	0.10	4,000	1.54	54.4	9.09	0.36	44	78
<b>MS8025M-H</b>	12/24/48	0.50	0.25	0.13	4,500	1.72	61.0	11.37	0.45	48	78
<b>MS8025H-H</b>	12/24/48	0.72	0.27	0.20	5,000	1.99	70.5	13.92	0.55	50	78

\*Additional performance levels available, contact Mechatronics for more options