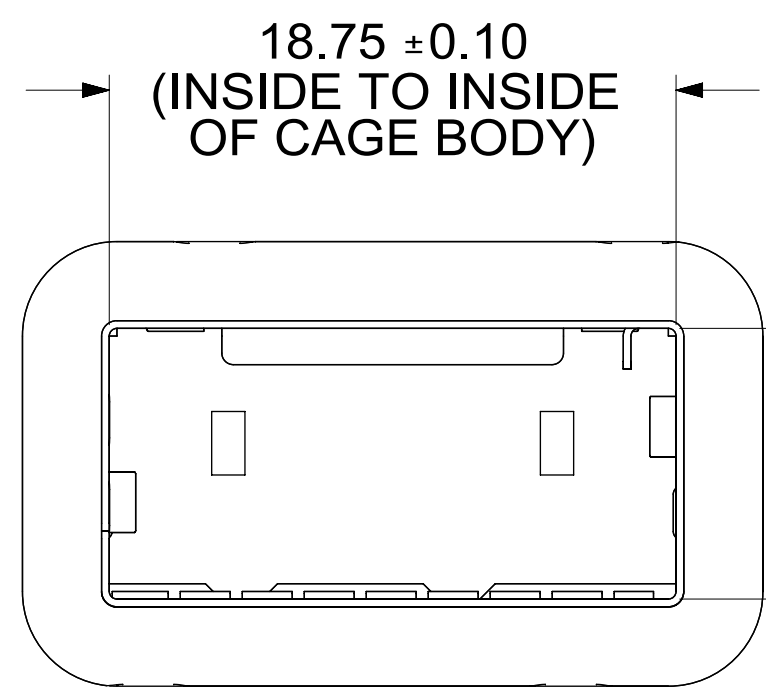
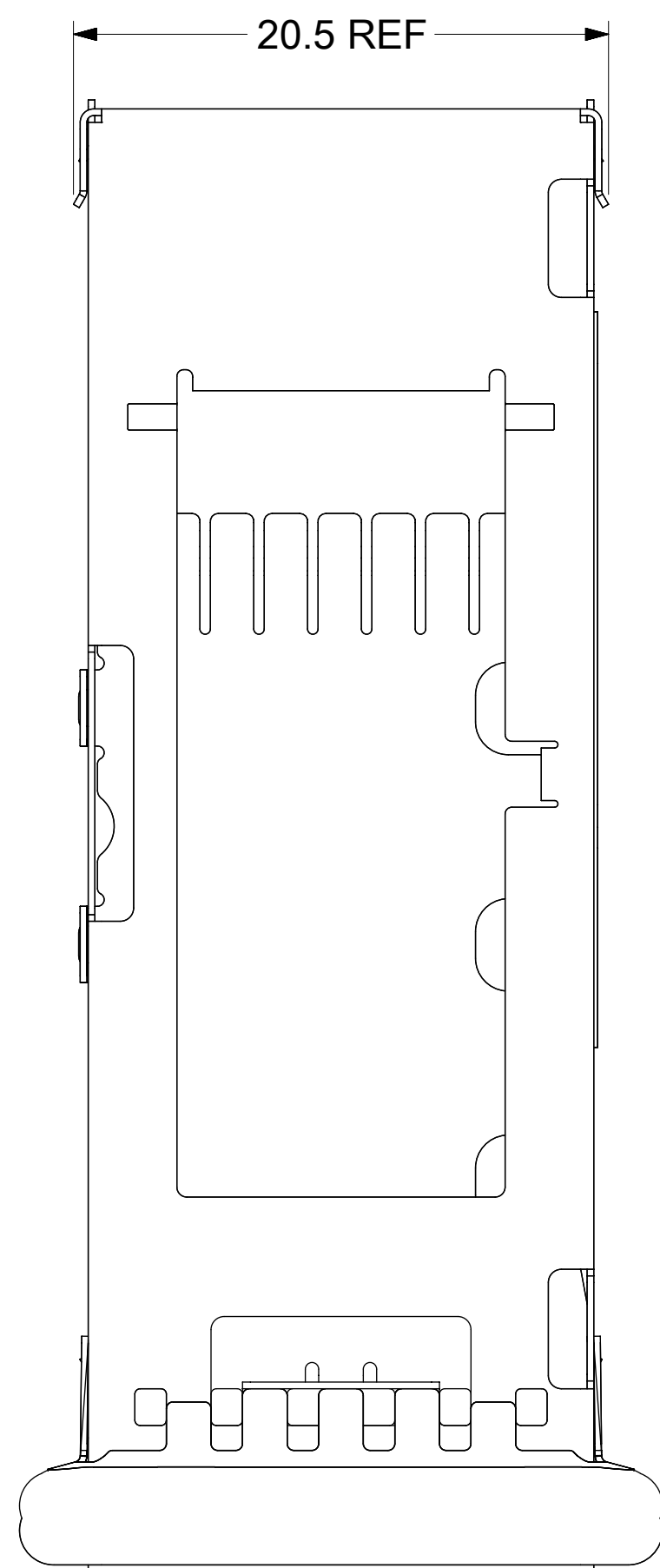
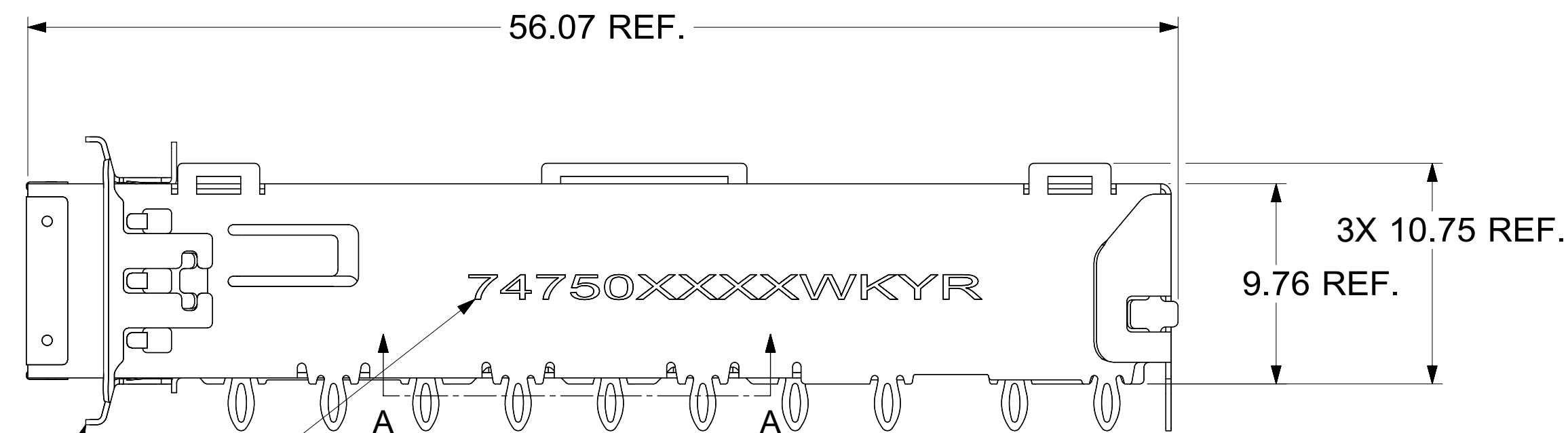
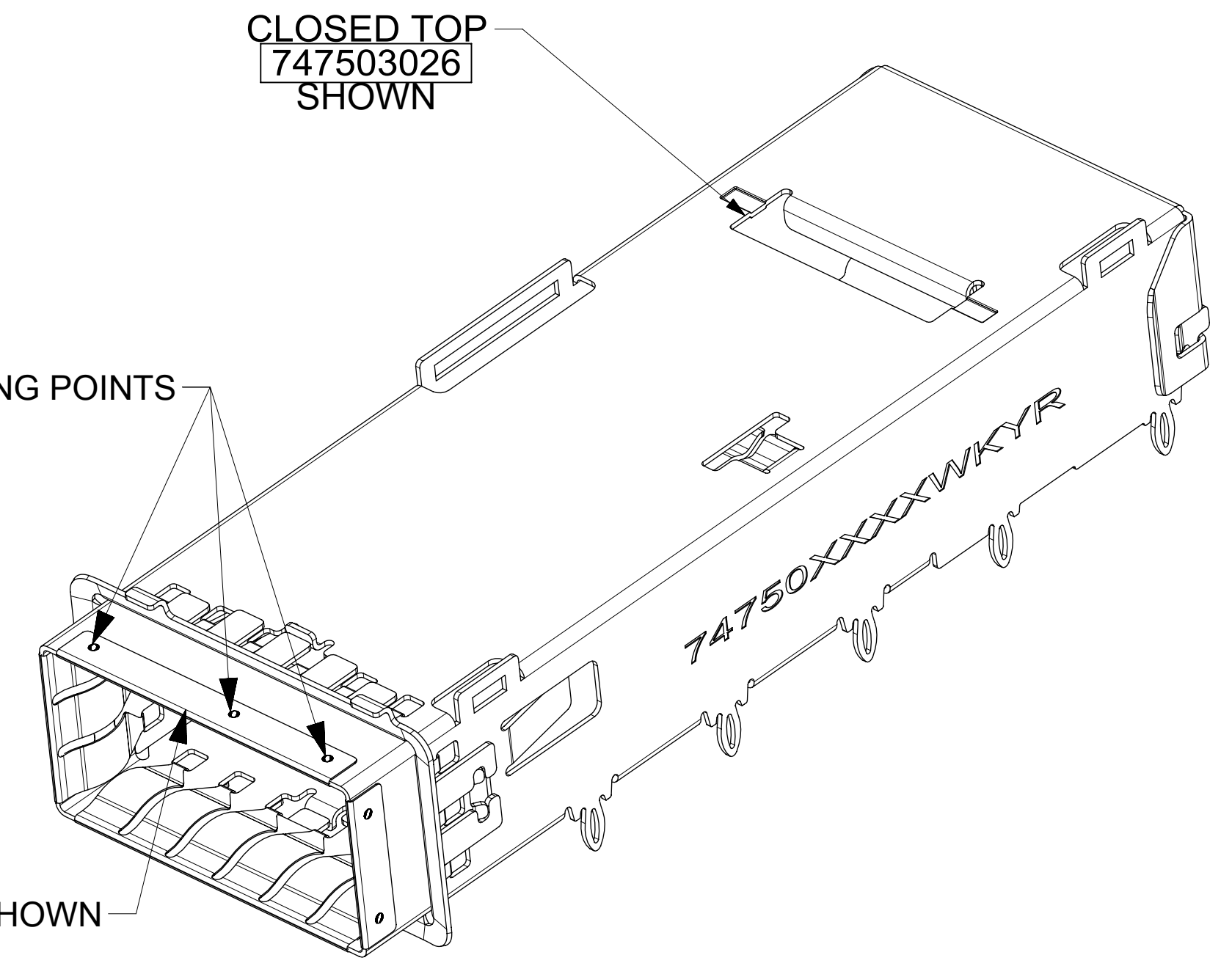
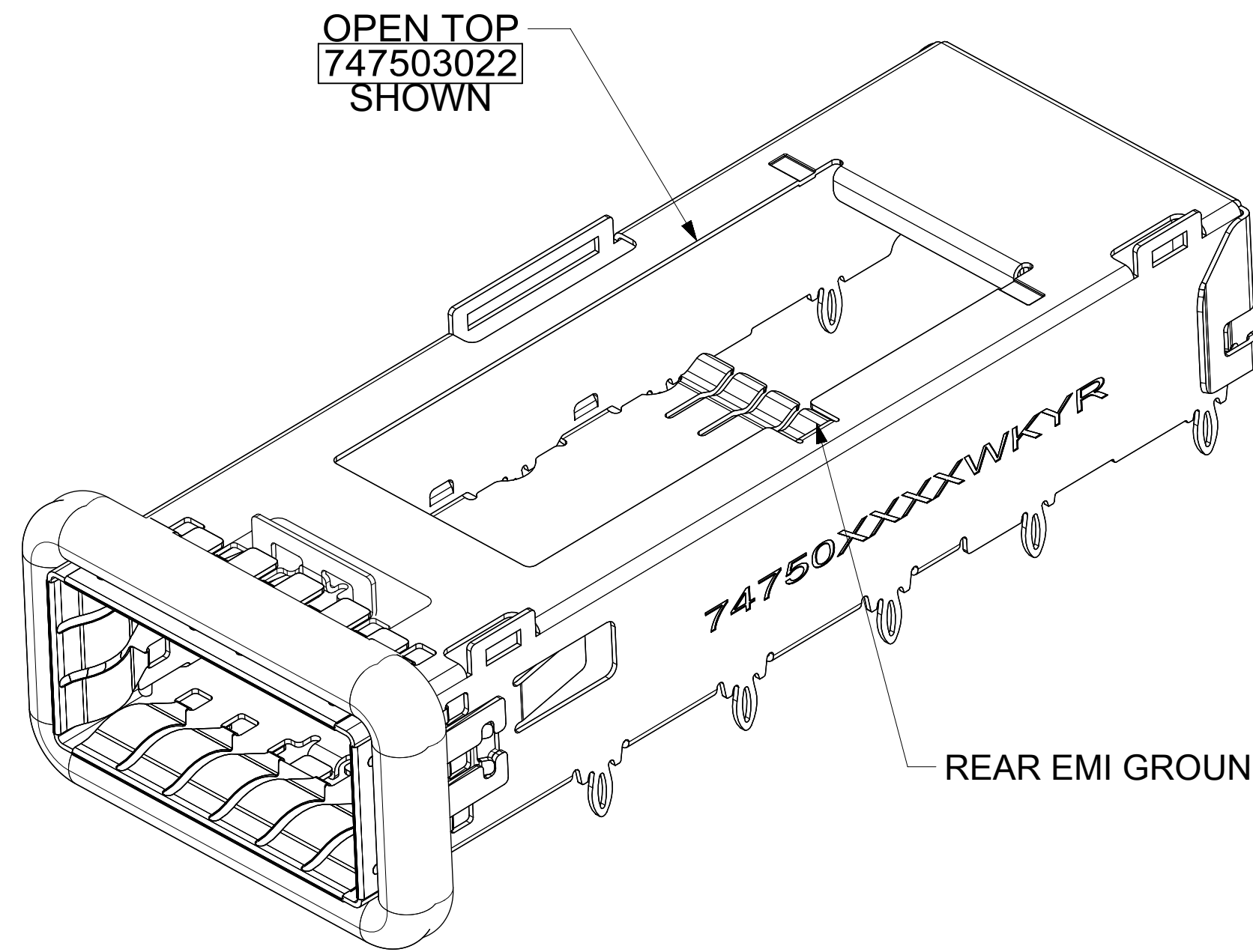


CAGE DETAILS

(APPLIES TO ALL CAGES IN THIS DRAWING)

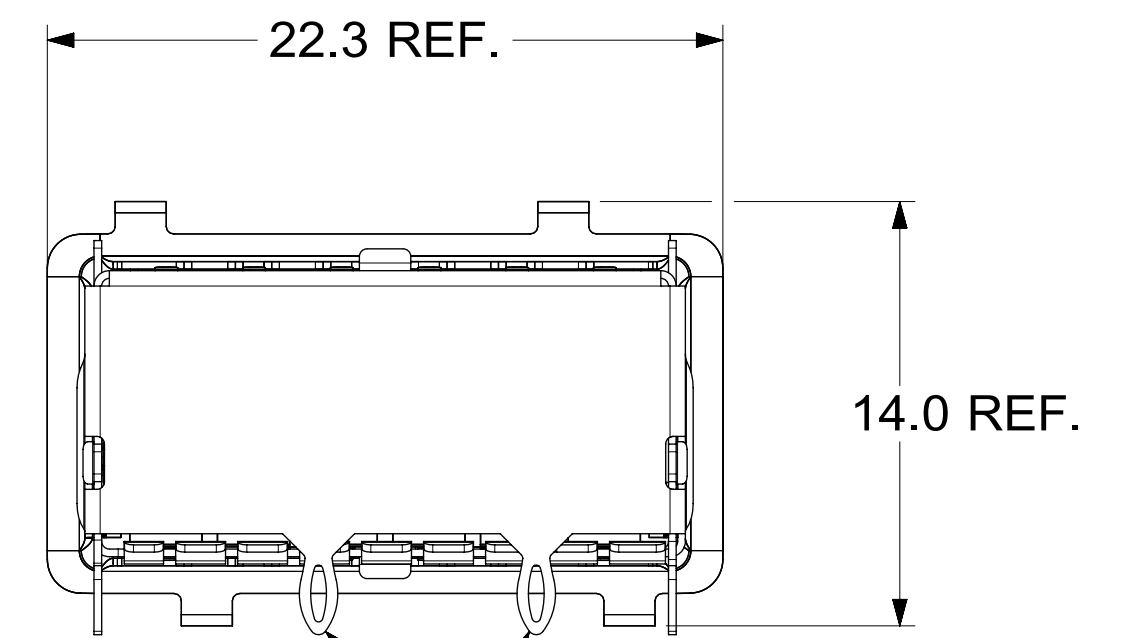


NOTE:
INTERNAL SPRING FINGERS
REMOVED FROM THIS VIEW FOR CLARITY.



GASKET NOT SHOWN
FOR CLARITY

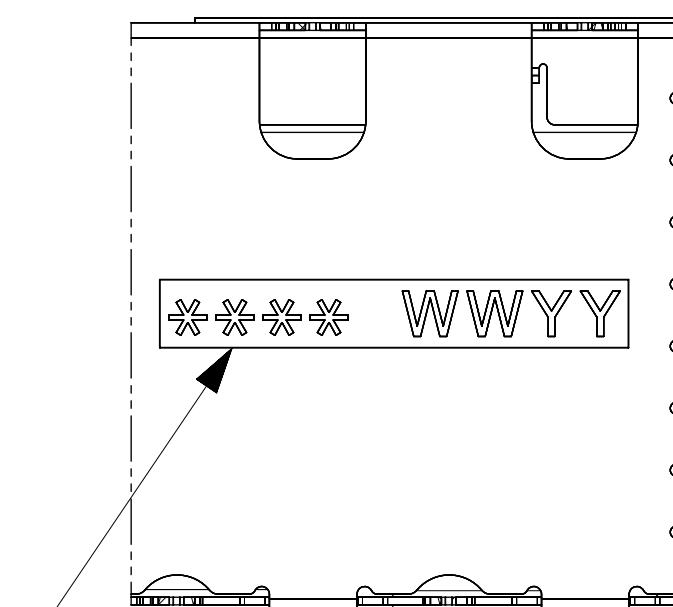
PN/DATE CODE TO BE PRINTED ON THE SIDE OF
COMPLETED CAGE ASSEMBLY APPROXIMATELY AS SHOWN.
SEE TABLE BELOW FOR DATE CODE INFORMATION.



REAR PINS ARE OPTIONAL
(SEE CHART)

NOTE:
GASKET REMOVED FROM THIS
VIEW FOR CLARITY.

WEEK/YEAR DATE CODE TABLE	
WK	WEEK OF THE YEAR 01 THRU 52 (EXAMPLE: 01= FIRST WEEK OF YEAR 52= LAST WEEK OF YEAR)
YR	22, 23, 24 ETC.. (EXAMPLE: YEAR 2022= 22)

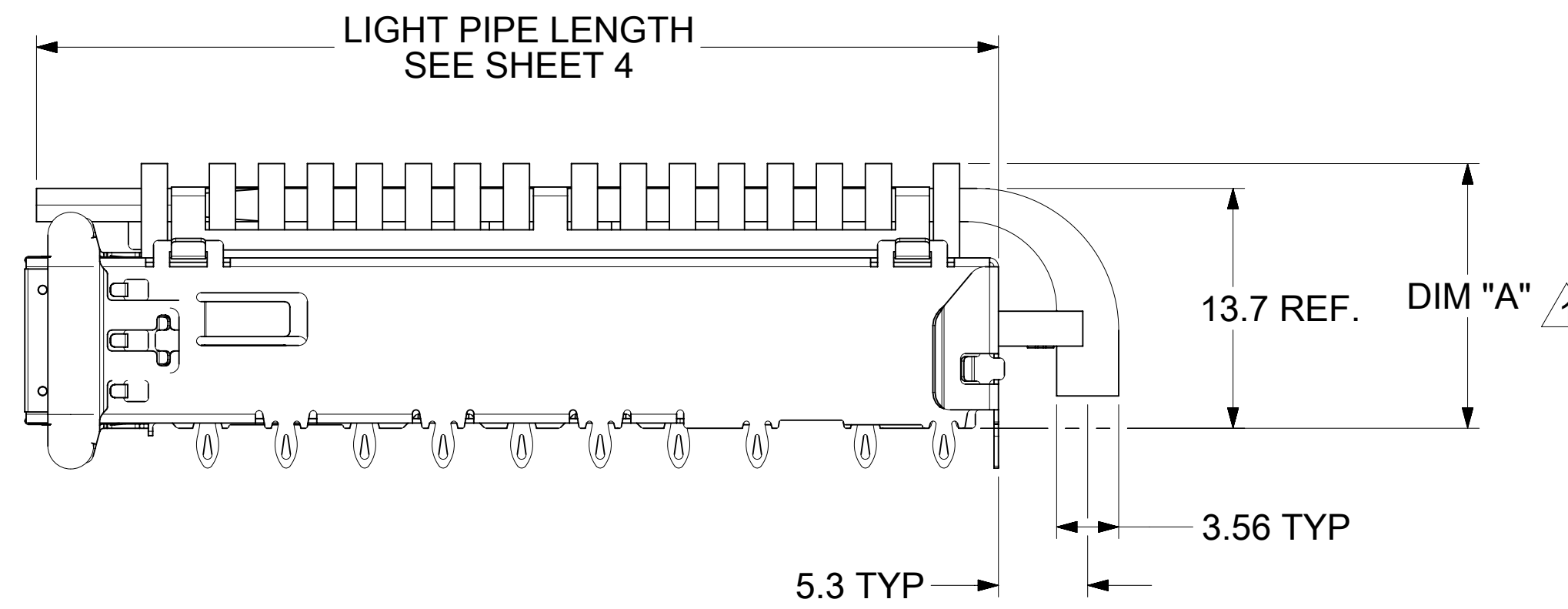
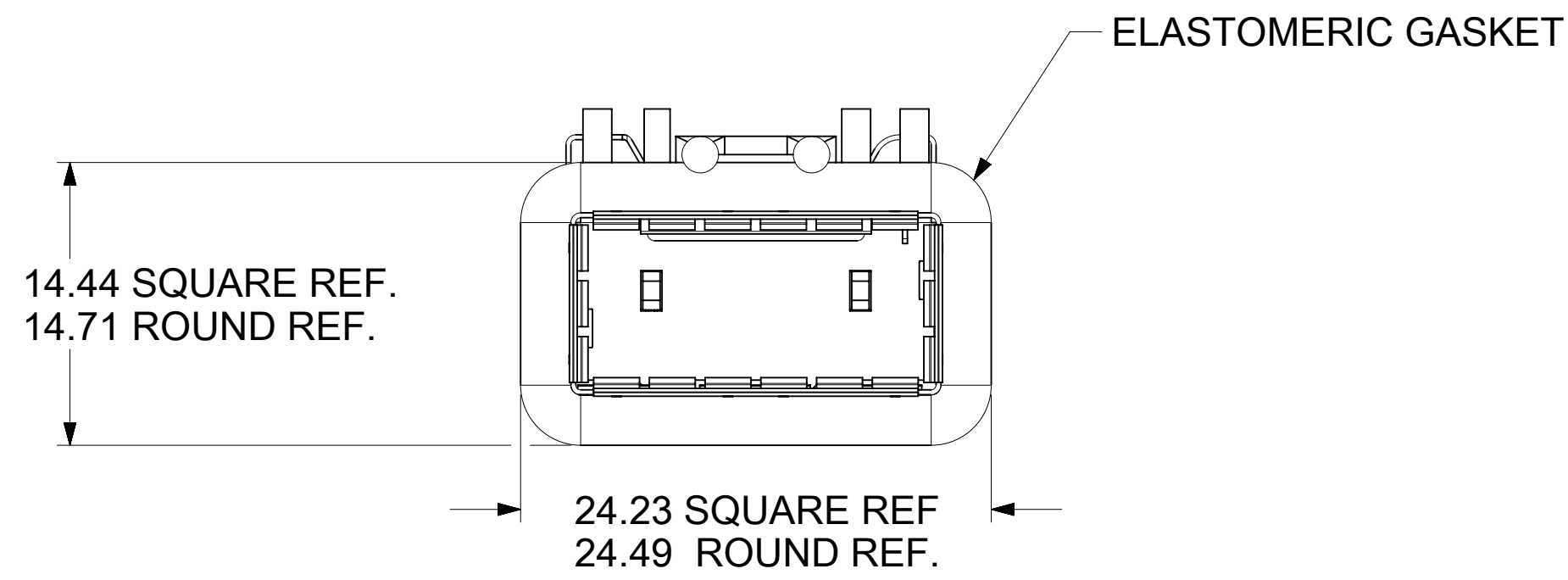
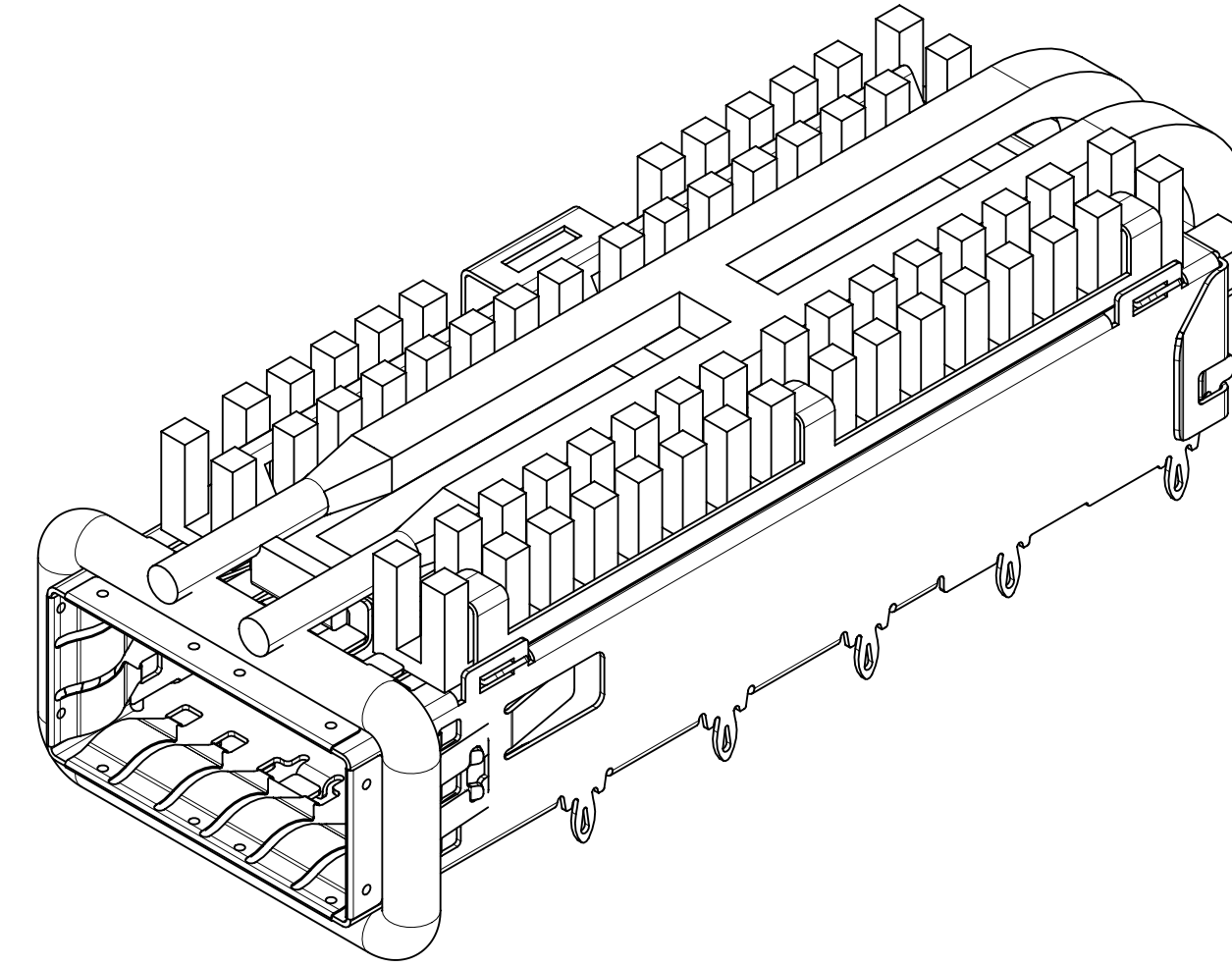
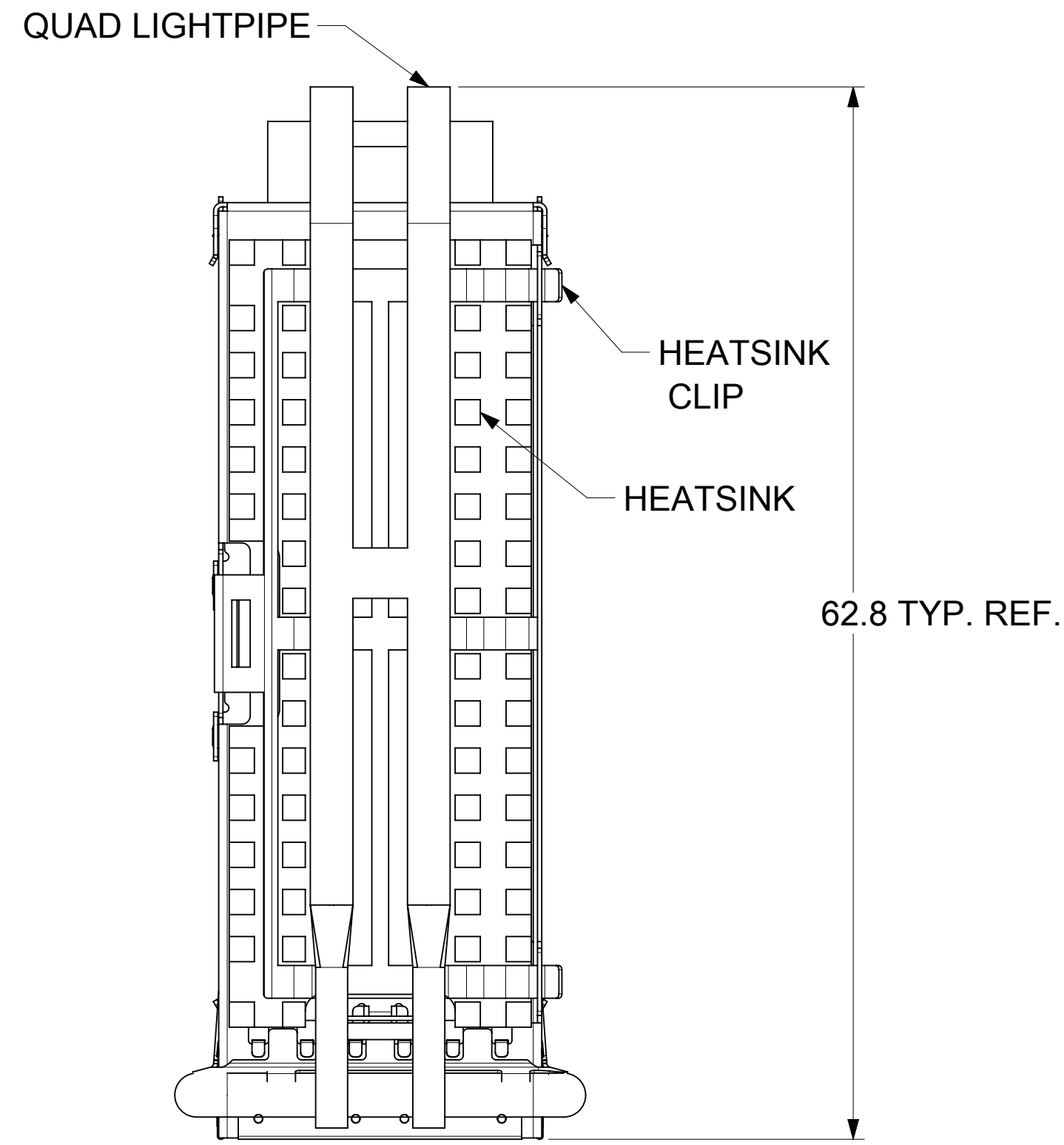


SECTION A-A

- NOTES:
- PRESS FIT LEGS 2.28mm LONG
 - MATERIAL:
CAGE: 0.25mm THICK COPPER ALLOY, NICKEL PLATED
SPRING FINGERS: STAINLESS STEEL
LIGHT PIPE/HEAT SINK CLIP: STAINLESS STEEL
LIGHT PIPES: POLYCARBONATE (UL 94-V0 RATED)
HEATSINKS: ALUMINUM (BLACK ANNOXIDIZED).
ELASTOMERIC GASKET: SILICON, COLOR BLACK
 - CUSTOM HEATSINKS AVAILABLE UPON REQUEST
 - QSFP+ ASSEMBLES ALSO AVAILABLE IN 1X2 (74767 SERIES),
1X3 (74768 SERIES), 1X4 (74769 SERIES) AND 1X6 (74771 SERIES).
 - PACKAGED IN TRAYS.
 - NO RoHS EXEMPTIONS.
 - WELD SPOTS MAY SHOW SLIGHT MATERIAL DISCOLORATION

THIS DRAWING CONTAINS INFORMATION THAT IS PROPRIETARY TO MOLEX ELECTRONIC TECHNOLOGIES, LLC AND SHOULD NOT BE USED WITHOUT WRITTEN PERMISSION																											
DIMENSION UNITS mm		SCALE 1:1		CURRENT REV DESC:								QSFP+ 1X1 CAGE ASSEMBLY W / ELASTOMERIC GASKET, SUS INNER SPRING FINGER (ROUND & SQUARE)															
GENERAL TOLERANCES (UNLESS SPECIFIED)				EC NO: 712623 DRWN: PKH 2022/05/27 CHK'D: DKUMARG 2022/06/29 APPR: SCHIEN 2022/07/07 INITIAL REVISION: DRWN: PKH 2022/05/27 APPR: SCHIEN 2022/07/07																							
ANGULAR TOL ± 1.0°				4 PLACES ±		3 PLACES ±		2 PLACES ± 0.13		1 PLACE ± 0.25		0 PLACES ±		DRAFT WHERE APPLICABLE MUST REMAIN WITHIN DIMENSIONS		THIRD ANGLE PROJECTION		DRAWING D-SIZE		SERIES 74750		MATERIAL NUMBER SEE SHEET 4		CUSTOMER		SHEET NUMBER 1 OF 9	
PRODUCT CUSTOMER DRAWING				DOCUMENT NUMBER 747503022		DOC TYPE PSD		DOC PART ASY		REVISION A																	

CAGE ASSEMBLY OPTIONS



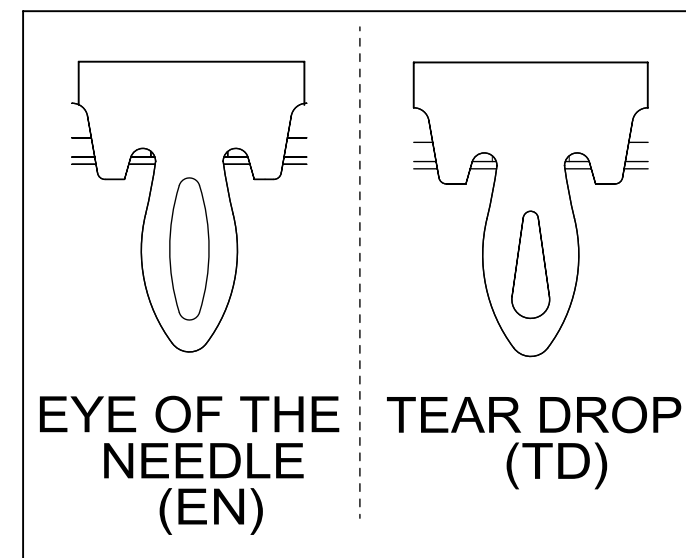
HEATSINK HEIGHT OPTIONS

OVERALL HEATSINK HEIGHT	DIM 'A'	TOL
PCI	13.7	+0.25
SAN	16.0	
NET	23.0	-0.73
CUSTOM	21.0	

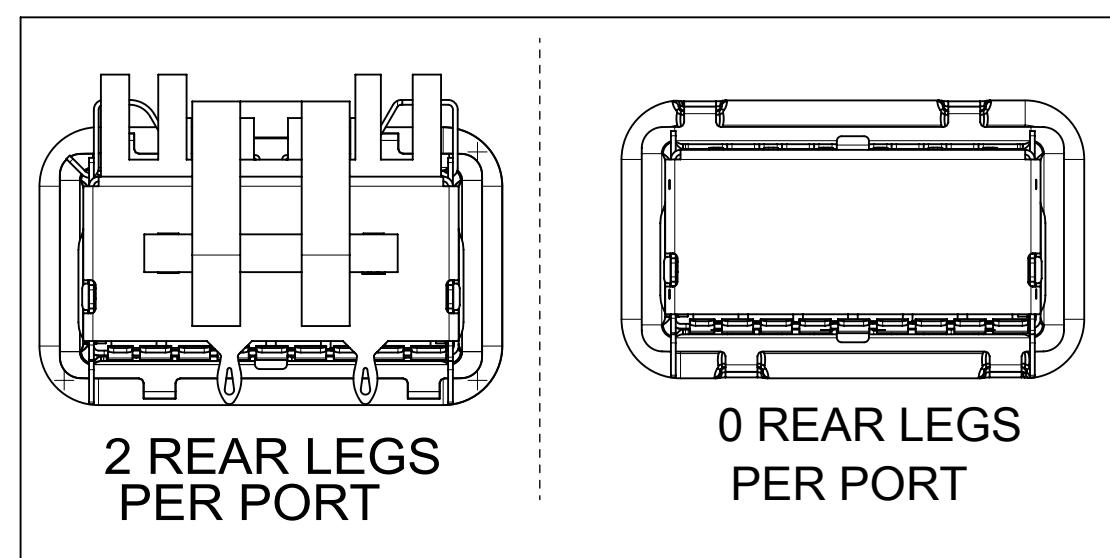
¹ HEIGHT OF HEATSINK WITH MODULE INSERTED. DIMENSION MAY BE LESS DUE TO MODULE AND HEATSINK VARIATIONS.

THIS DRAWING CONTAINS INFORMATION THAT IS PROPRIETARY TO MOLEX ELECTRONIC TECHNOLOGIES, LLC AND SHOULD NOT BE USED WITHOUT WRITTEN PERMISSION			
DIMENSION UNITS mm	SCALE 3:1	CURRENT REV DESC:	
GENERAL TOLERANCES (UNLESS SPECIFIED)		EC NO: 712623	
ANGULAR TOL	± 1.0°	DRWN: PKH	2022/05/27
4 PLACES	±	CHK'D: DKUMARG	2022/06/29
3 PLACES	±	APPR: SCHIEN	2022/07/07
2 PLACES	± 0.13	INITIAL REVISION:	
1 PLACE	± 0.25	DRWN: PKH	2022/05/27
0 PLACES	±	APPR: SCHIEN	2022/07/07
DRAFT WHERE APPLICABLE MUST REMAIN WITHIN DIMENSIONS		THIRD ANGLE PROJECTION	DRAWING
			D-SIZE
		SERIES	74750
		MATERIAL NUMBER	SEE SHEET 4
		CUSTOMER	
		DOCUMENT NUMBER	747503022
		DOC TYPE	PSD
		DOC PART	ASY
		REVISION	A
		SHEET NUMBER	2 OF 9

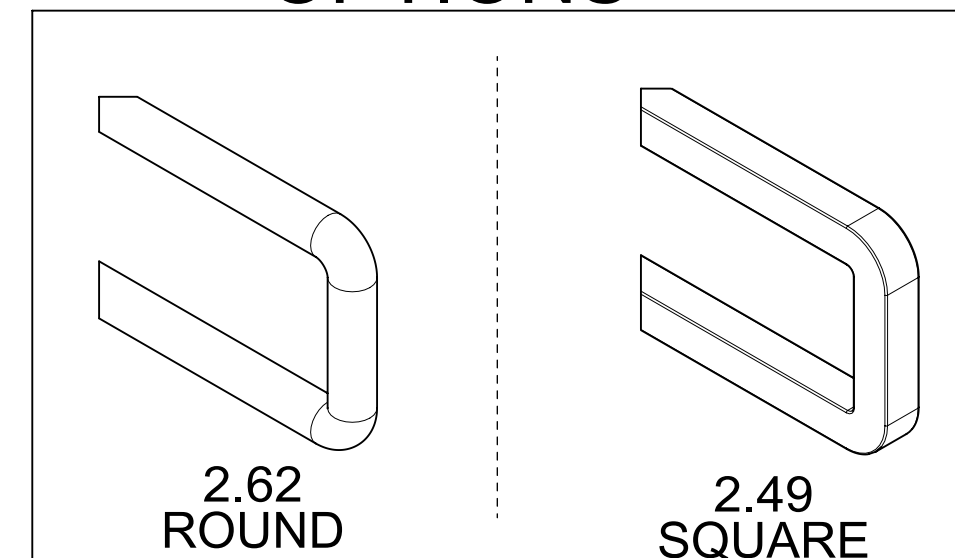
LEG OPTIONS



REAR LEG OPTIONS



ELASTOMERIC GASKET OPTIONS



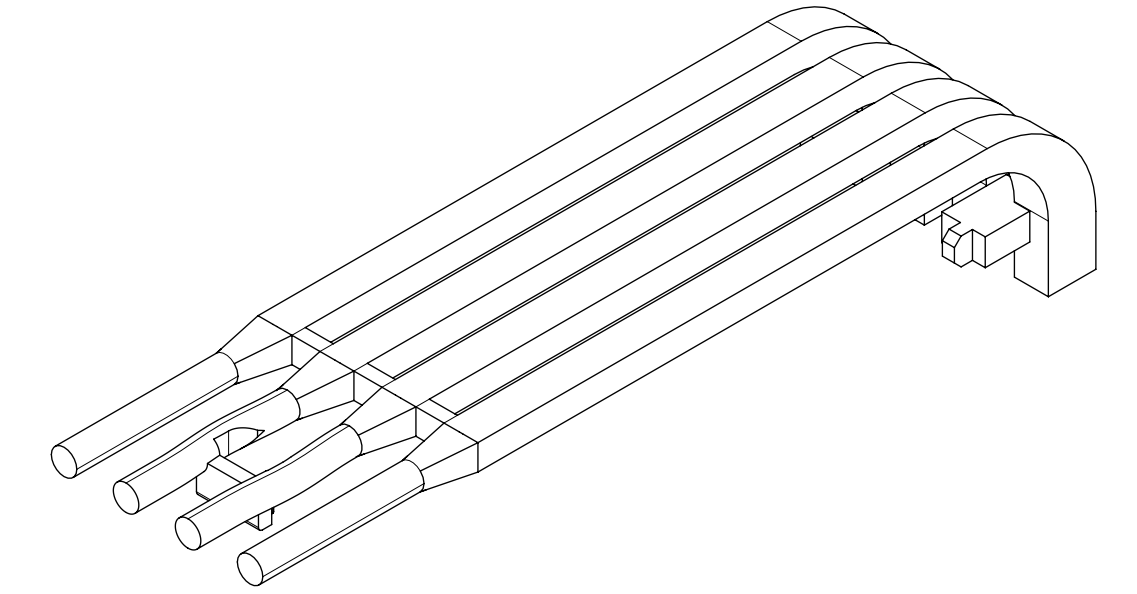
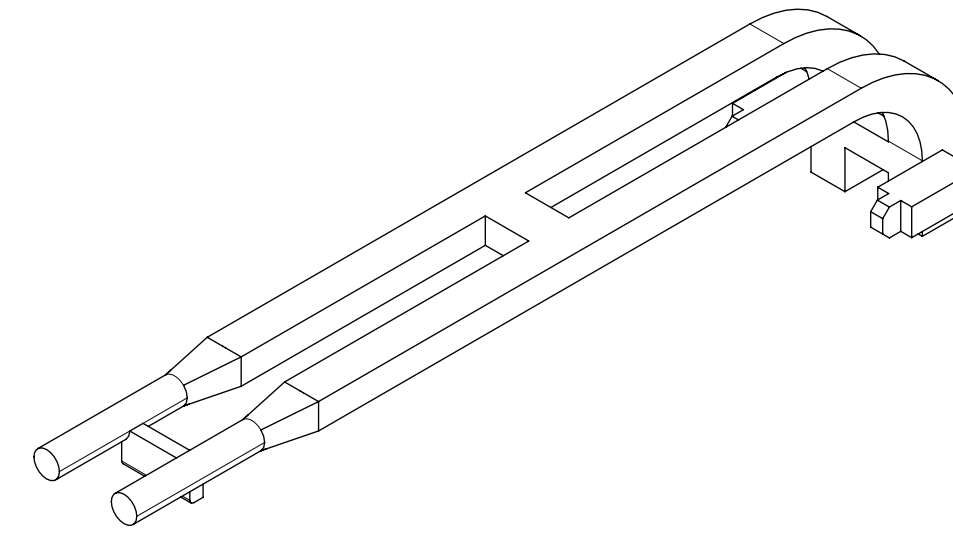
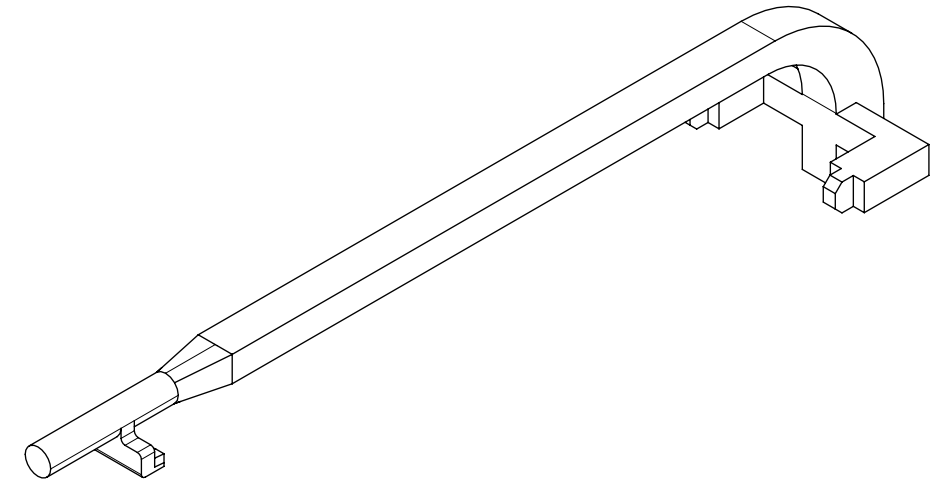
HEATSINK AND LIGHT PIPE OPTIONS

HEATSINK ONLY

SINGLE LIGHT PIPE

DUAL LIGHT PIPE

QUAD LIGHT PIPE

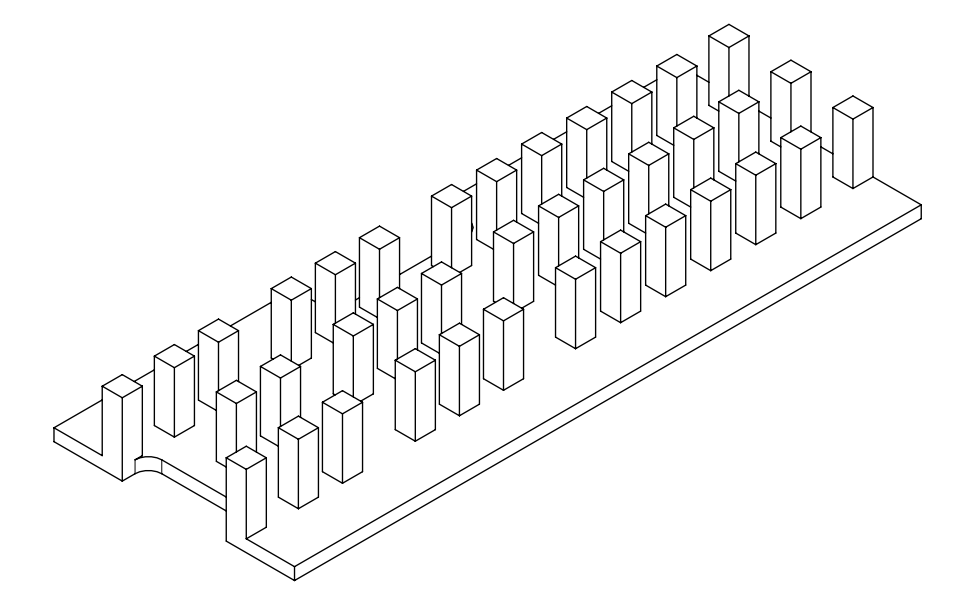
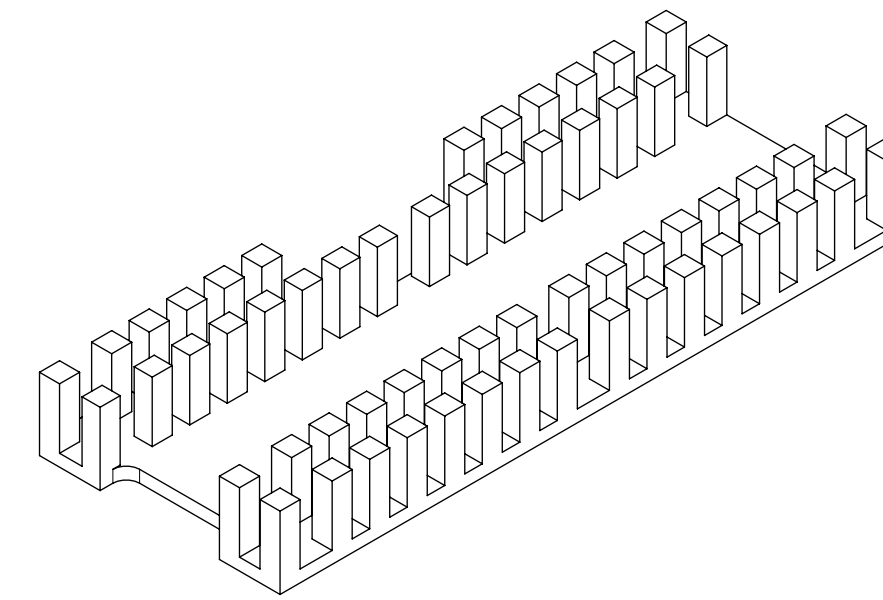
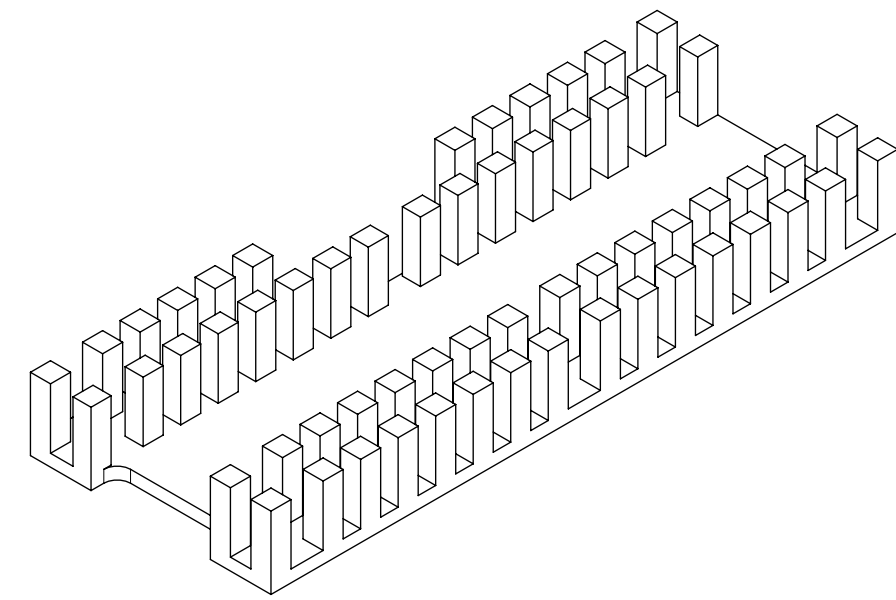
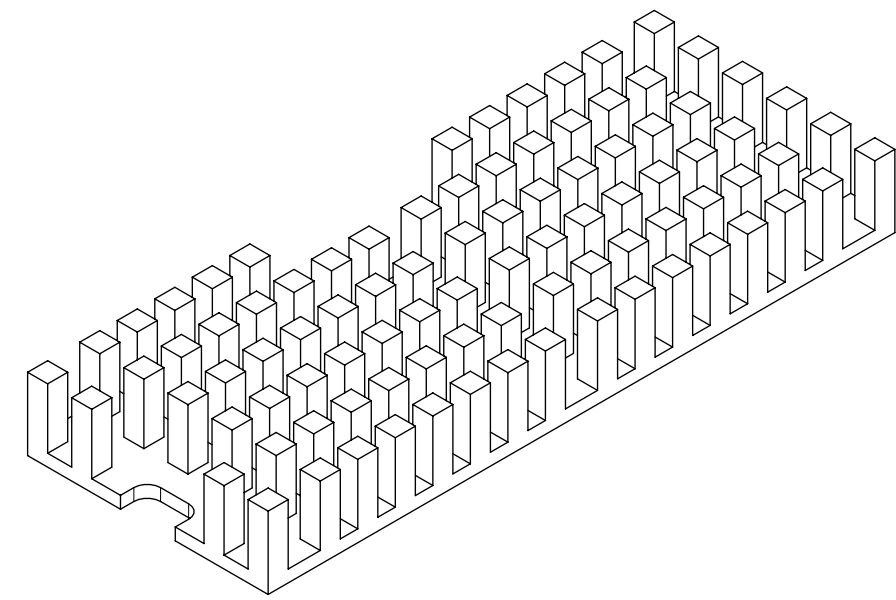


PIN FIELD HEATSINK FOR NO LIGHT PIPE

PIN FIELD HEATSINK FOR SINGLE LIGHT PIPE

PIN FIELD HEATSINK FOR DUAL LIGHT PIPE

PIN FIELD HEATSINK FOR QUAD LIGHT PIPE



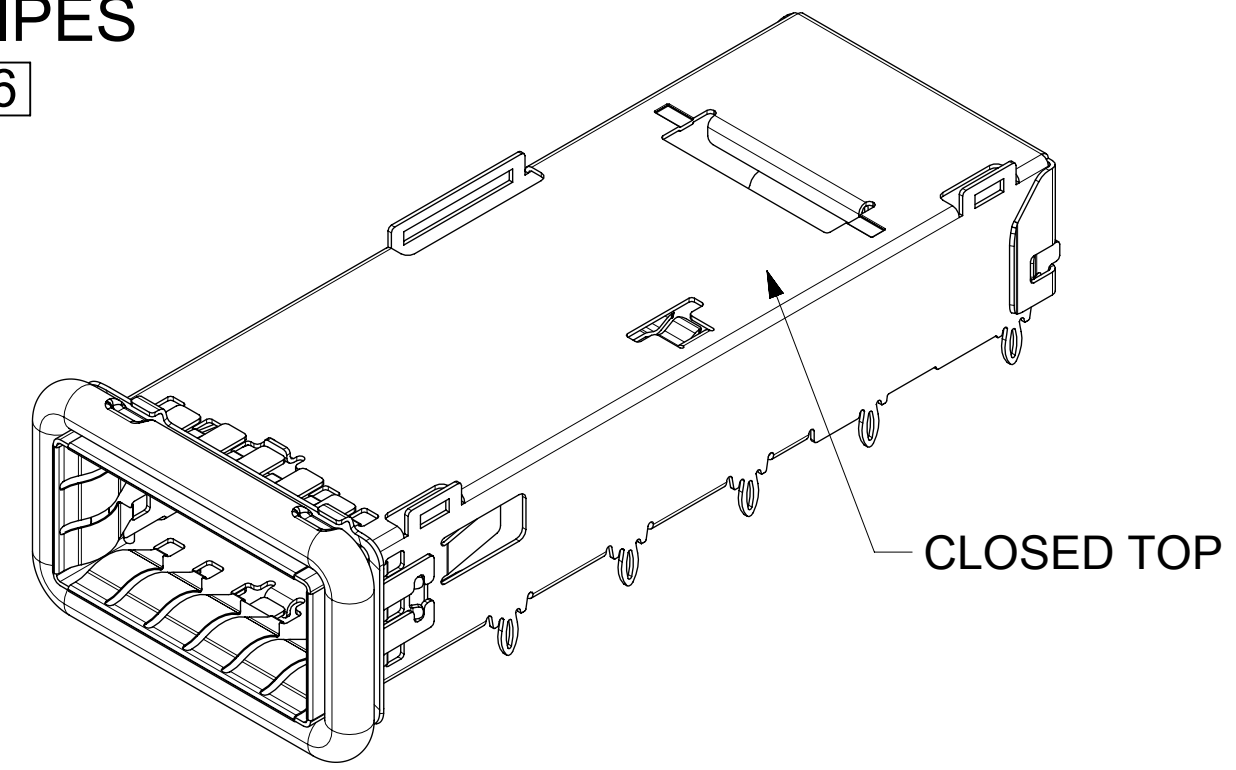
NOTES:
 1. MATERIALS:
 LIGHT PIPE: LEXAN 940A
 HEATSINK: ALUMINUM (BLACK ANNOXIDIZED)

THIS DRAWING CONTAINS INFORMATION THAT IS PROPRIETARY TO MOLEX ELECTRONIC TECHNOLOGIES, LLC AND SHOULD NOT BE USED WITHOUT WRITTEN PERMISSION												
DIMENSION UNITS		SCALE		CURRENT REV DESC:								
mm		2.5:1										
GENERAL TOLERANCES (UNLESS SPECIFIED)				EC NO: 712623								
ANGULAR TOL ± 1.0°				DRWN: PKH		2022/05/27		QSFP+ 1X1 CAGE ASSEMBLY W / ELASTOMERIC GASKET, SUS INNER SPRING FINGER (ROUND & SQUARE)				
4 PLACES ±				CHK'D: DKUMARG		2022/06/29						
3 PLACES ±				APPR: SCHIEN		2022/07/07		PRODUCT CUSTOMER DRAWING				
2 PLACES ± 0.13				INITIAL REVISION:				DOCUMENT NUMBER		DOC TYPE	DOC PART	REVISION
1 PLACE ± 0.25				DRWN: PKH		2022/05/27		747503022		PSD	ASY	A
0 PLACES ±				APPR: SCHIEN		2022/07/07		MATERIAL NUMBER		CUSTOMER		SHEET NUMBER
DRAFT WHERE APPLICABLE MUST REMAIN WITHIN DIMENSIONS				THIRD ANGLE PROJECTION		DRAWING		SERIES				
						D-SIZE		74750		SEE SHEET 4		3 OF 9

DOCUMENT STATUS	P1	RELEASE DATE	2022/07/07	13:29:38
-----------------	----	--------------	------------	----------

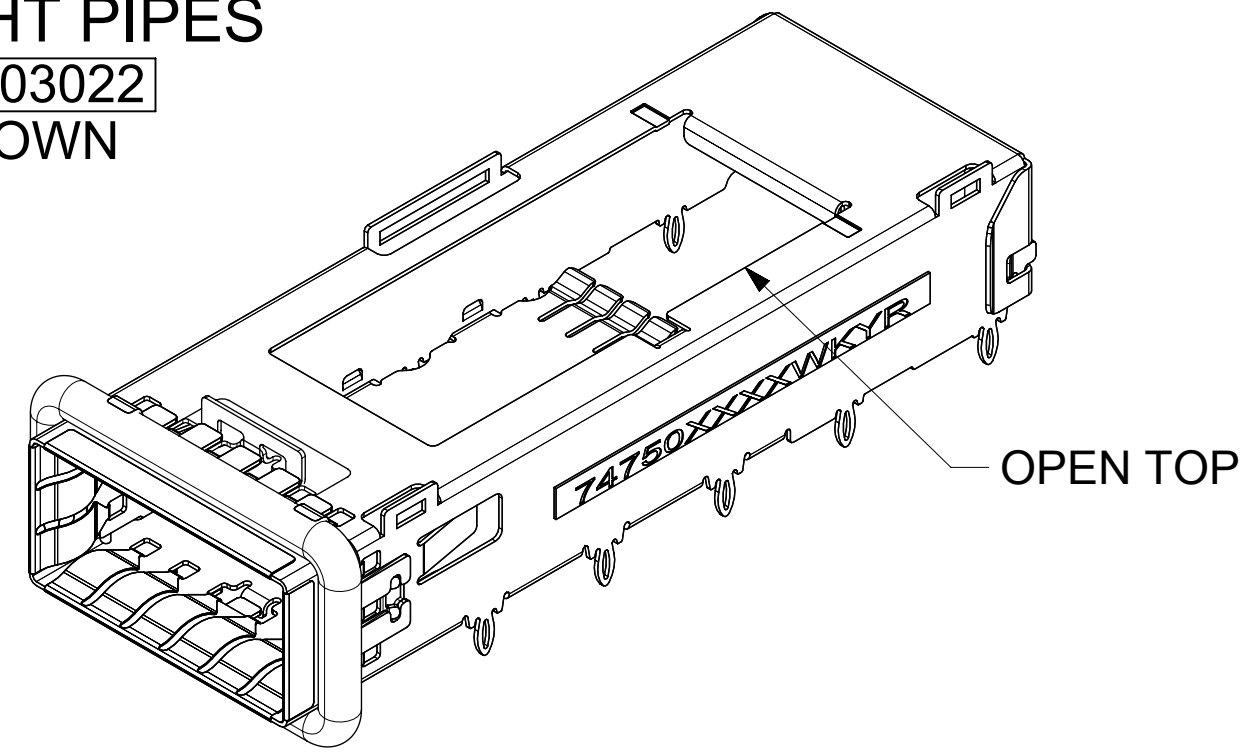
PART NUMBER SELECTION

NO HEATSINKS
NO LIGHT PIPES
747503026
SHOWN



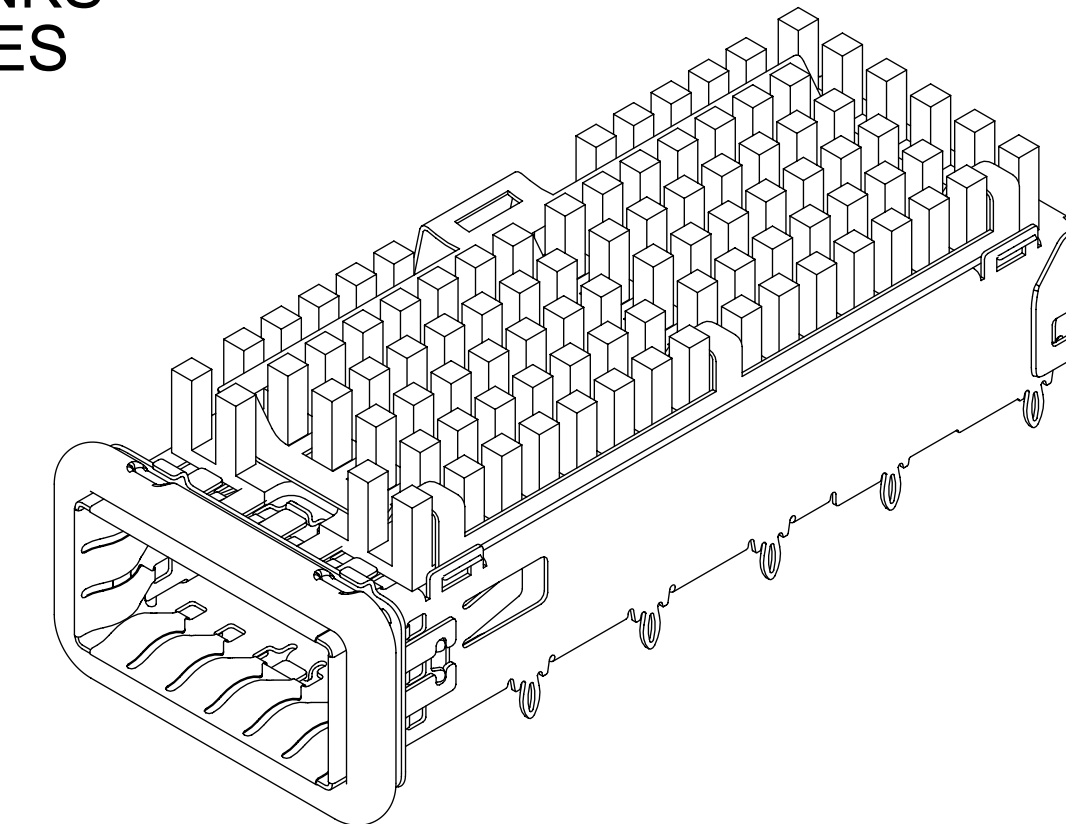
MOLEX P/N		LEG TYPE	# OF REAR LEGS PER PORT
WITH 2.62 REF ROUND ELASTOMERIC GASKET	WITH 2.49 REF SQUARE ELASTOMERIC GASKET		
747503026	---	EN	2

NO HEATSINKS
NO LIGHT PIPES
747503022
SHOWN



MOLEX P/N		LEG TYPE	# OF REAR LEGS PER PORT
WITH 2.62 REF ROUND ELASTOMERIC GASKET	WITH 2.49 REF SQUARE ELASTOMERIC GASKET		
747503022	---	EN	2
747503025	---	EN	-
747503094	---	EN	2
747503200	---	TD	2

WITH HEATSINKS
NO LIGHT PIPES
747503041
SHOWN

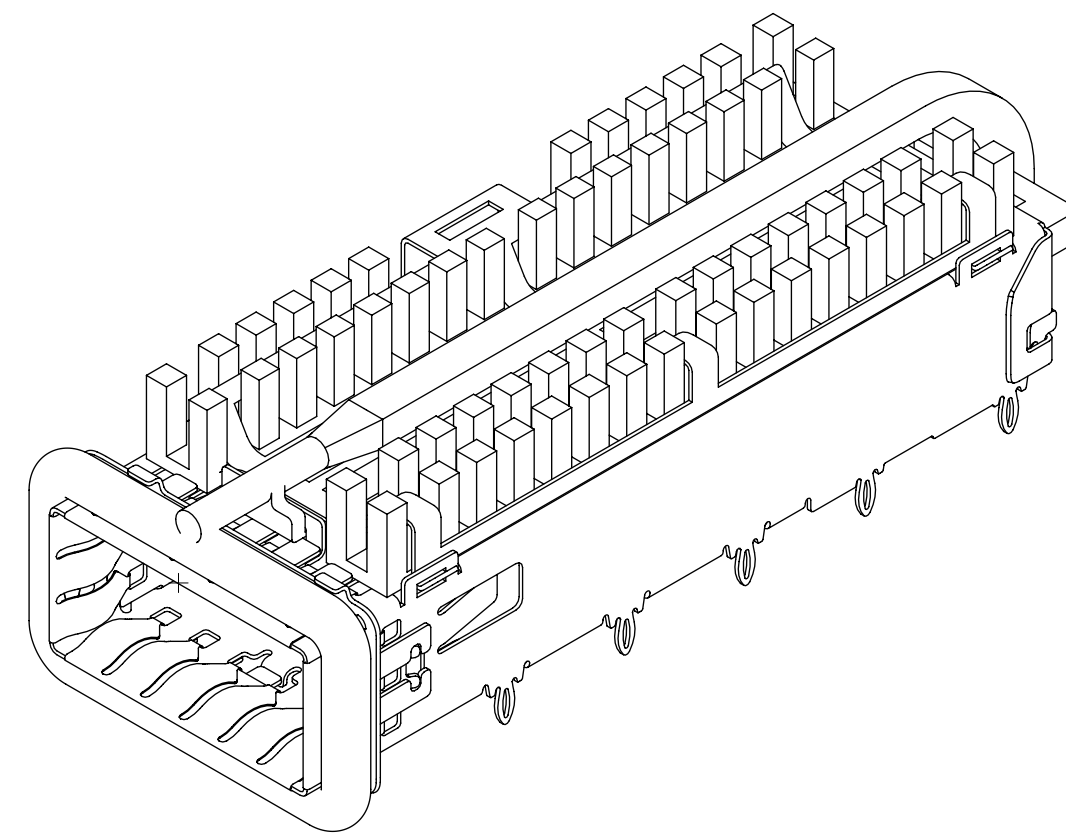


MOLEX P/N		HEAT-SINKS	LEG TYPE	# OF REAR LEGS PER PORT
WITH 2.62 REF ROUND ELASTOMERIC GASKET	WITH 2.49 REF SQUARE ELASTOMERIC GASKET			
747503041	---	SAN	EN	2
747503047	---	NET	EN	2
747503048	---	CUSTOM	EN	2
747503242	---	PCI	TD	2

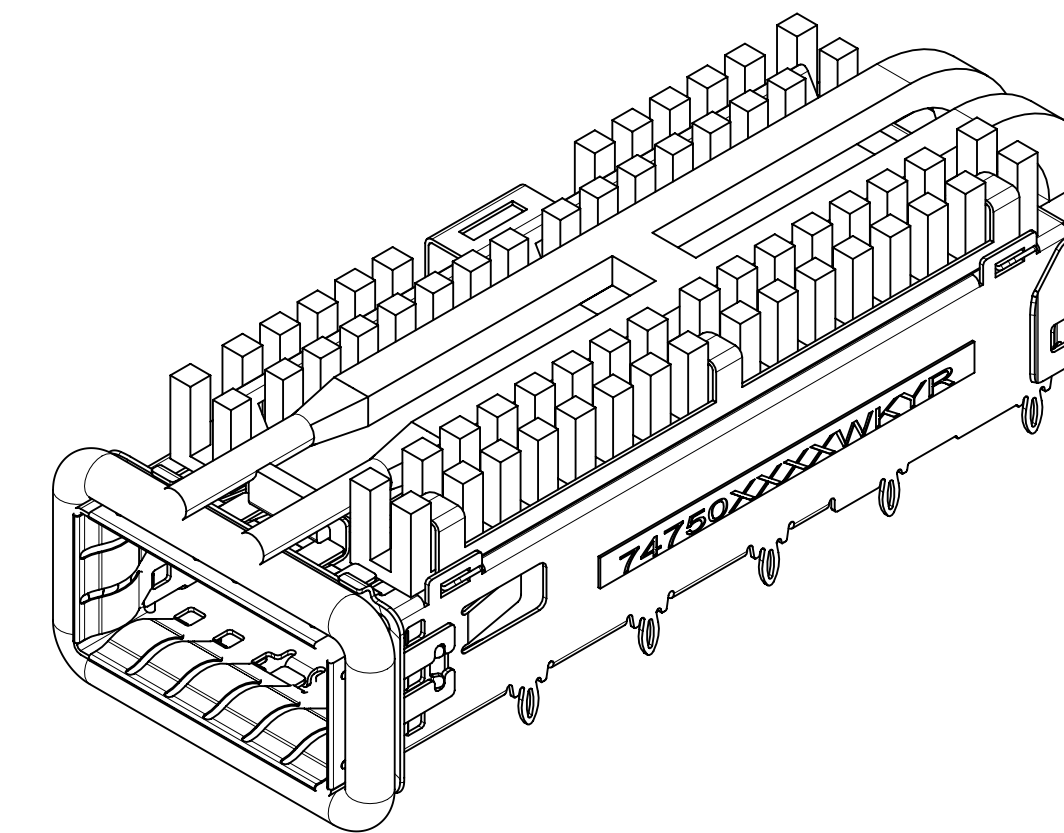
WITH OR WITHOUT HEATSINKS AND LIGHT PIPES

MOLEX P/N		LIGHT PIPES	HEAT-SINKS	LEG TYPE	# OF REAR LEGS PER PORT	LIGHT PIPE LENGTH
WITH 2.62 REF ROUND ELASTOMERIC GASKET	WITH 2.49 REF SQUARE ELASTOMERIC GASKET					
747503070	---	SINGLE	SAN	EN	2	55.0
747503072	---	DUAL	SAN	EN	2	
747503073	---	DUAL	NET	EN	2	
747503571	---	QUAD	SAN	EN	2	55.0
747503577	---	DUAL	SAN	TD	2	
747503578	---	DUAL	NET	TD	2	

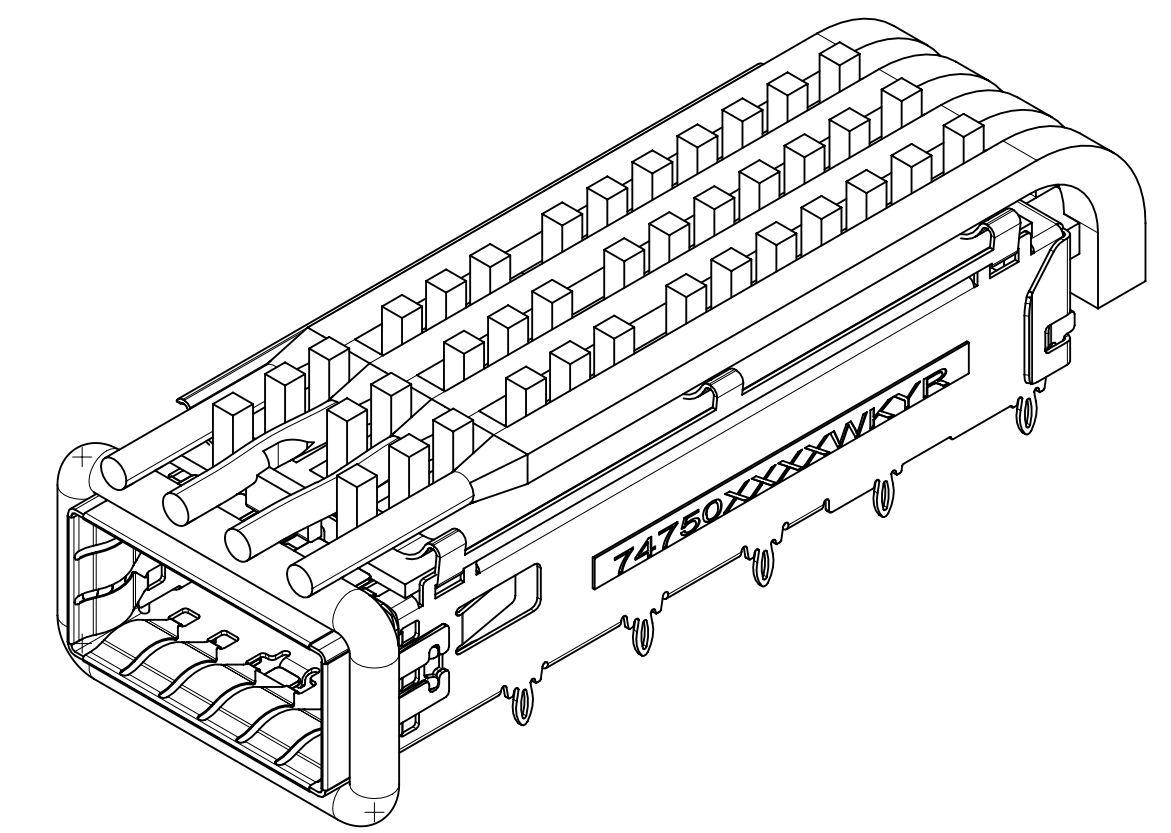
SINGLE LIGHT PIPE
747503070
SHOWN



DUAL LIGHT PIPES
747503072
SHOWN



QUAD LIGHT PIPES
747503571
SHOWN



THIS DRAWING CONTAINS INFORMATION THAT IS PROPRIETARY TO MOLEX ELECTRONIC TECHNOLOGIES, LLC AND SHOULD NOT BE USED WITHOUT WRITTEN PERMISSION									
DIMENSION UNITS	SCALE	CURRENT REV DESC:							
mm	2.5:1								
GENERAL TOLERANCES (UNLESS SPECIFIED)									
ANGULAR TOL	± 1.0°								
4 PLACES	±	EC NO: 712623							
3 PLACES	±	DRWN: PKH 2022/05/27							
2 PLACES	± 0.13	CHK'D: DKUMARG 2022/06/29							
1 PLACE	± 0.25	APPR: SCHIEN 2022/07/07							
0 PLACES	±	INITIAL REVISION:							
DRAFT WHERE APPLICABLE MUST REMAIN WITHIN DIMENSIONS		THIRD ANGLE PROJECTION		DRAWING		SERIES		MATERIAL NUMBER	
		D-SIZE		74750		SEE P/N TABLE		CUSTOMER	
DOCUMENT STATUS		P1		RELEASE DATE		2022/07/07 13:29:38		SHEET NUMBER	
								4 OF 9	

molex

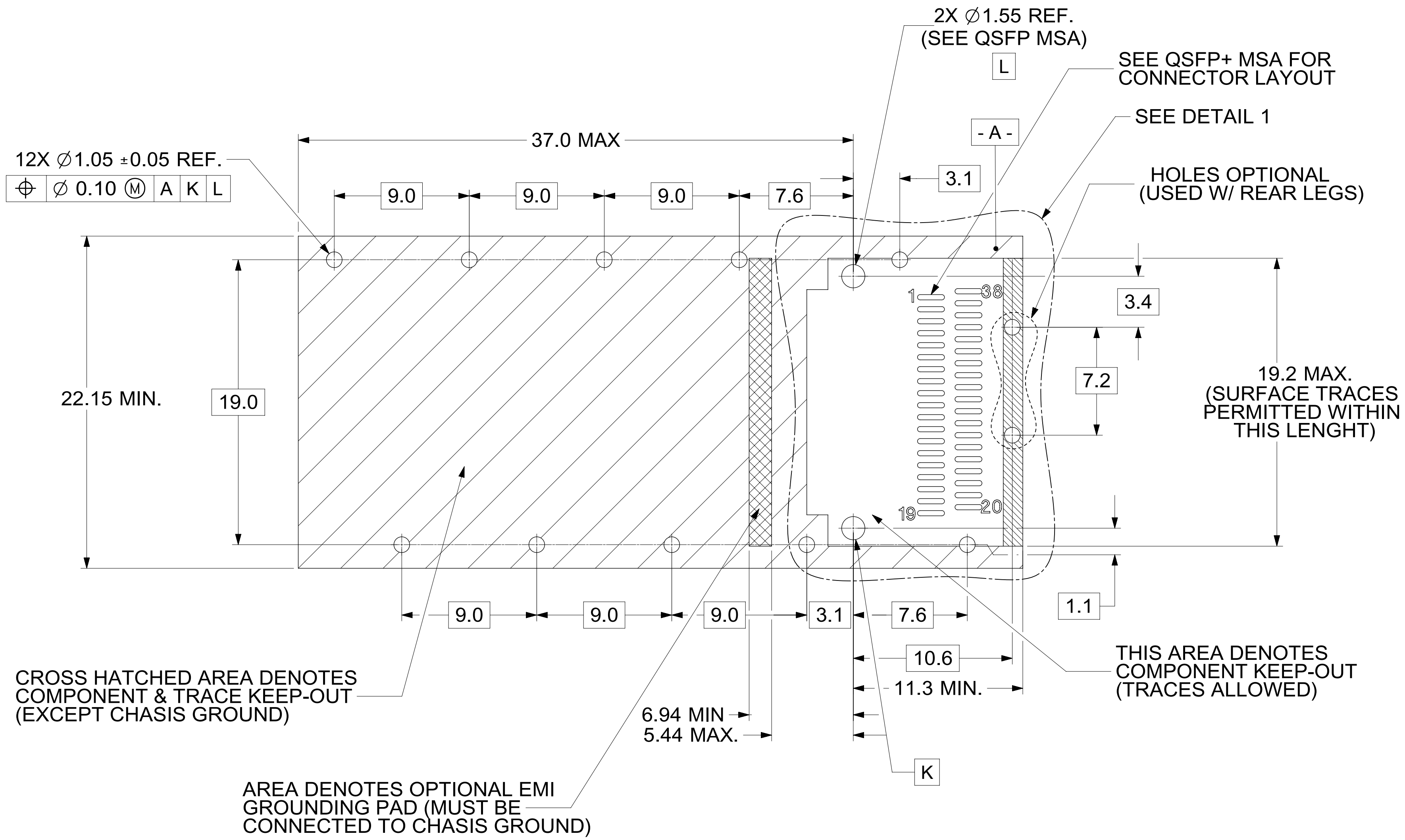
QSFP+ 1X1 CAGE ASSEMBLY
W / ELASTOMERIC GASKET, SUS INNER SPRING FINGER (ROUND & SQUARE)

PRODUCT CUSTOMER DRAWING

DOCUMENT NUMBER	DOC TYPE	DOC PART	REVISION
747503022	PSD	ASY	A

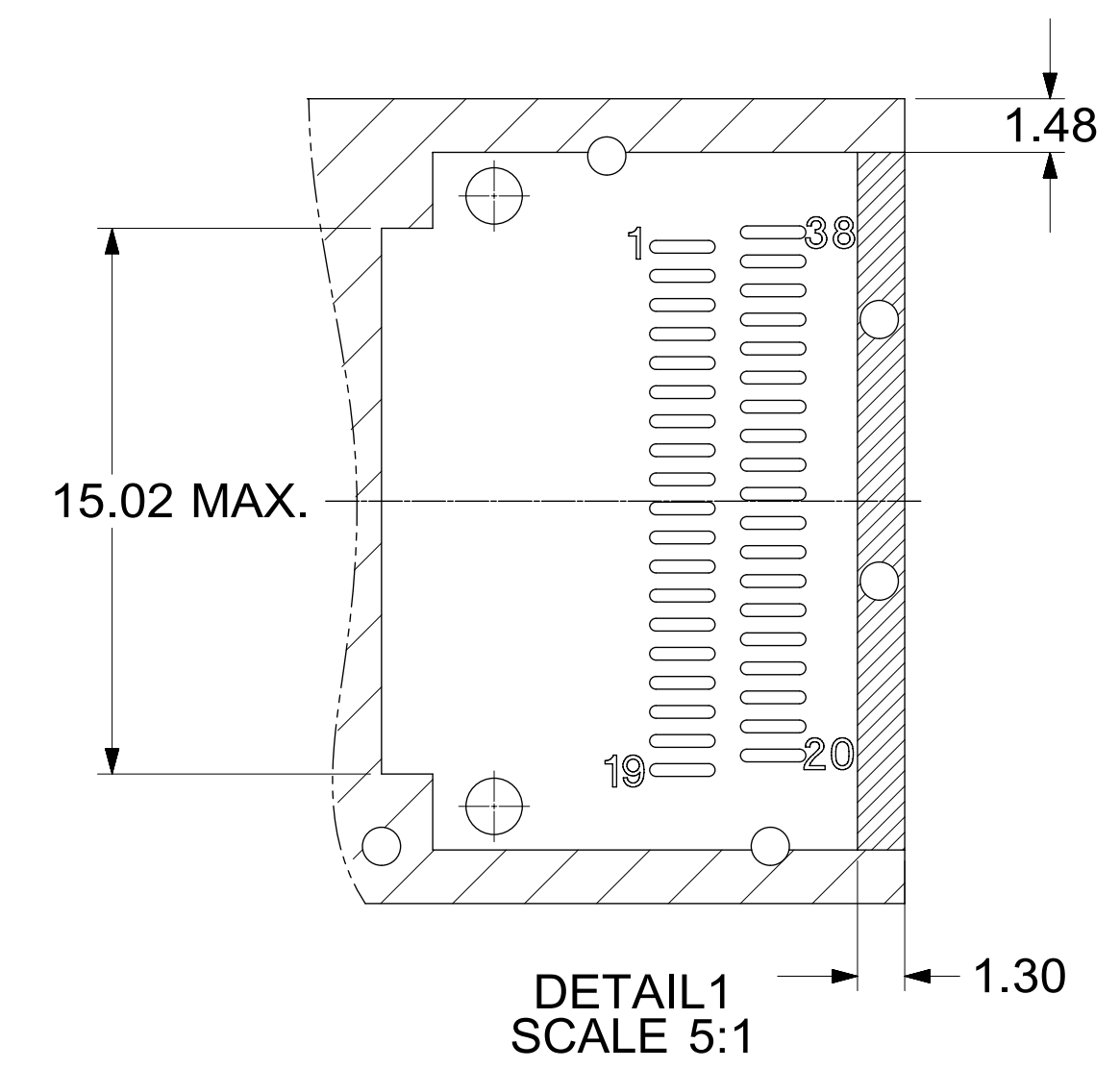
NOTE:
1. LEG TYPE:
EN - EYE OF THE NEEDLE
TD - TEAR DROP

PCB LAYOUT FOR SINGLE SIDED APPLICATIONS

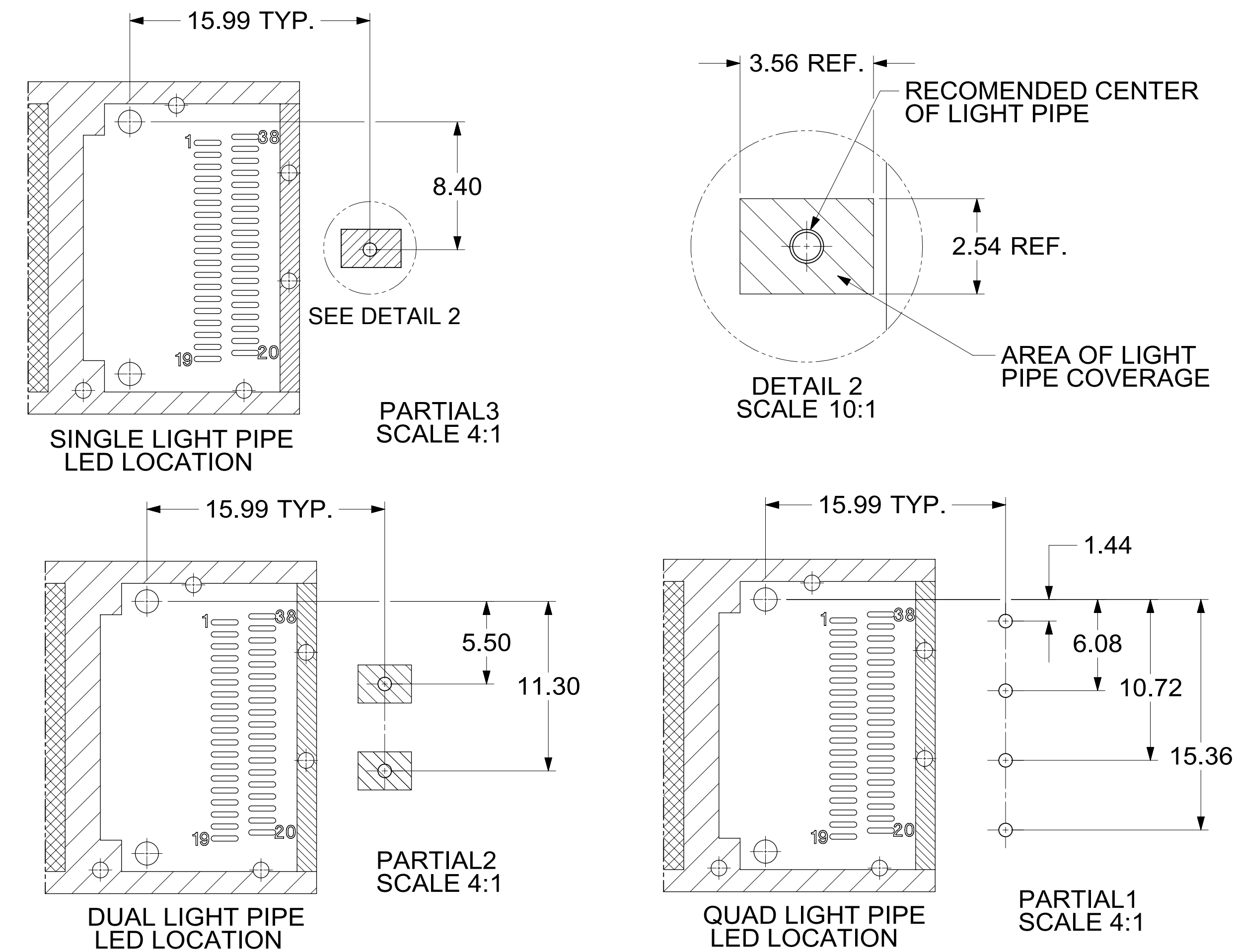


- NOTES:
- DATUM -A- IS TOP SURFACE OF HOST BOARD PER MSA
 - FINISHED HOLE SIZE (AFTER PLATING)
 - DATUM -K- IS HOST BOARD THRU HOLE #1 TO ACCEPT CONNECTOR GUIDE POST PER MSA
 - DATUM -L- IS HOST BOARD THRU HOLE #2 TO ACCEPT CONNECTOR GUIDE POST PER MSA
 - SINGLE SIDED BOARD THICKNESS:
 NOMINAL: 1.60 mm
 MINIMUM: 1.44 mm

HOST CONNECTOR DETAIL



FOR CAGE ASSEMBLIES WITH LIGHT PIPES



THIS DRAWING CONTAINS INFORMATION THAT IS PROPRIETARY TO MOLEX ELECTRONIC TECHNOLOGIES, LLC AND SHOULD NOT BE USED WITHOUT WRITTEN PERMISSION											
DIMENSION UNITS		SCALE		CURRENT REV DESC:							
mm		4:1									
GENERAL TOLERANCES (UNLESS SPECIFIED)				EC NO: 712623							
ANGULAR TOL $\pm 1.0^\circ$				DRWN: PKH 2022/05/27							
4 PLACES \pm				CHK'D: DKUMARG 2022/06/29							
3 PLACES \pm				APPR: SCHIEN 2022/07/07							
2 PLACES ± 0.13				INITIAL REVISION:							
1 PLACE ± 0.25				DRWN: PKH 2022/05/27							
0 PLACES \pm				APPR: SCHIEN 2022/07/07							
DRAFT WHERE APPLICABLE MUST REMAIN WITHIN DIMENSIONS			THIRD ANGLE PROJECTION		DRAWING		SERIES		MATERIAL NUMBER		
			D-SIZE		74750		74750		SEE SHEET 4		
DOCUMENT STATUS				P1		RELEASE DATE		2022/07/07 13:29:38		SHEET NUMBER	
										5 OF 9	

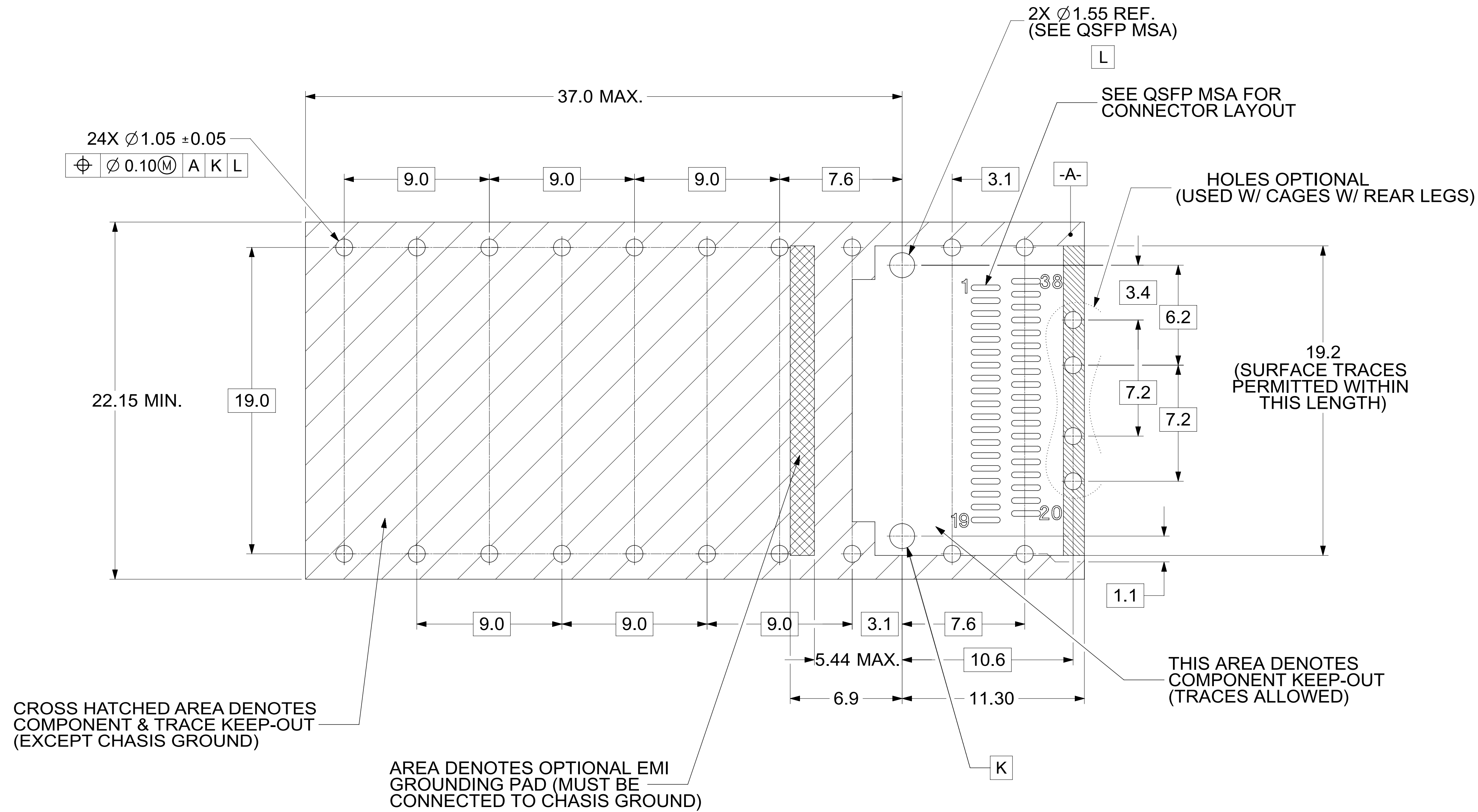
molex

QSFP+ 1X1 CAGE ASSEMBLY
W / ELASTOMERIC GASKET, SUS INNER SPRING FINGER (ROUND & SQUARE)

PRODUCT CUSTOMER DRAWING

DOCUMENT NUMBER	DOC TYPE	DOC PART	REVISION
747503022	PSD	ASY	A

PCB LAYOUT FOR BELLY-TO-BELLY APPLICATIONS

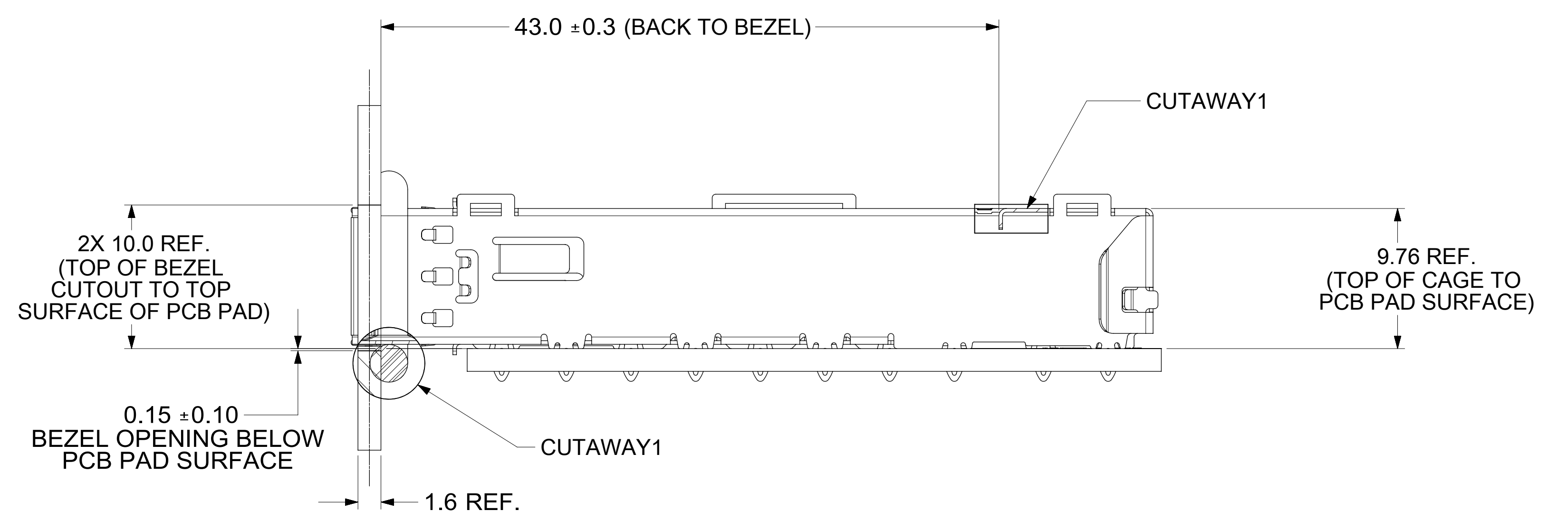
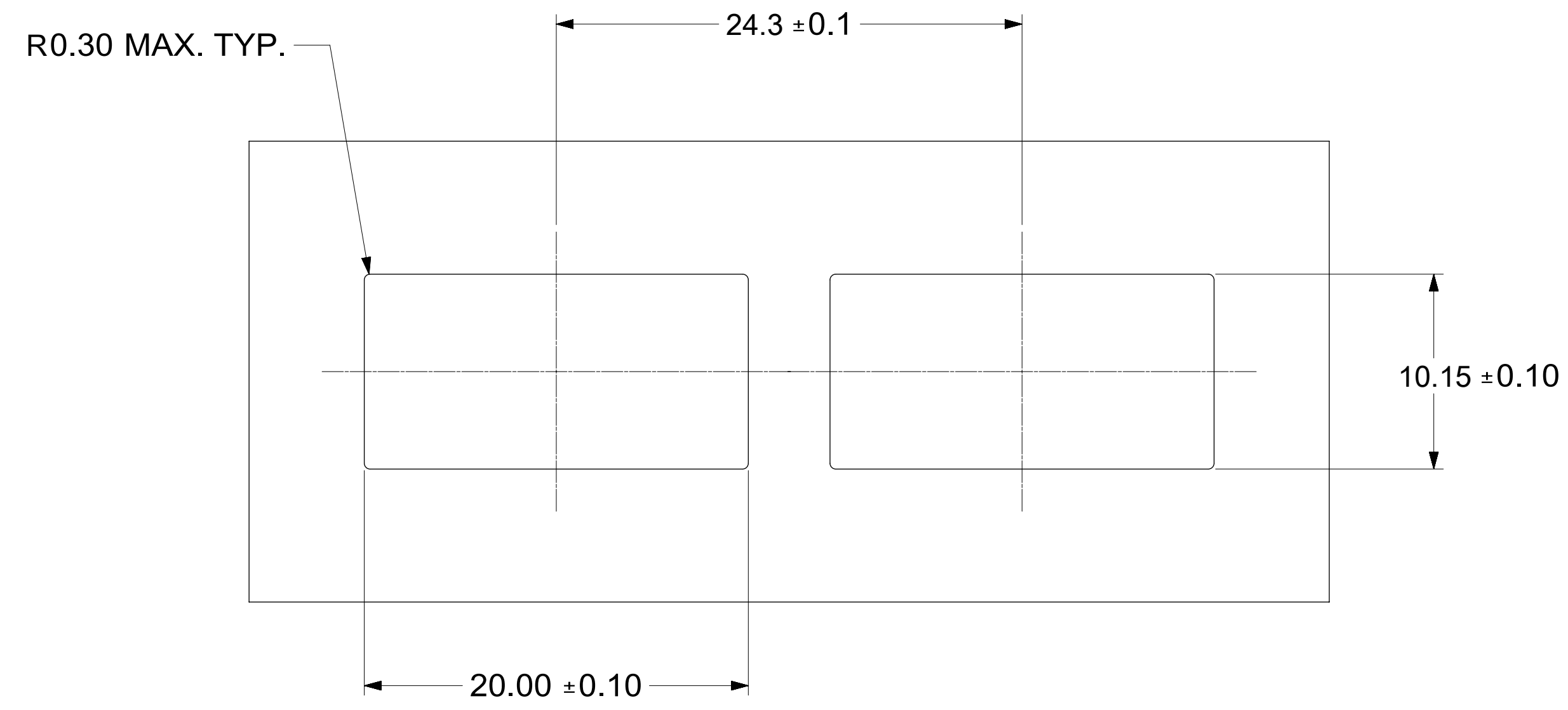


NOTE:
FOR RECOMENDED CENTER OF LIGHT PIPES, SEE SHEET 5

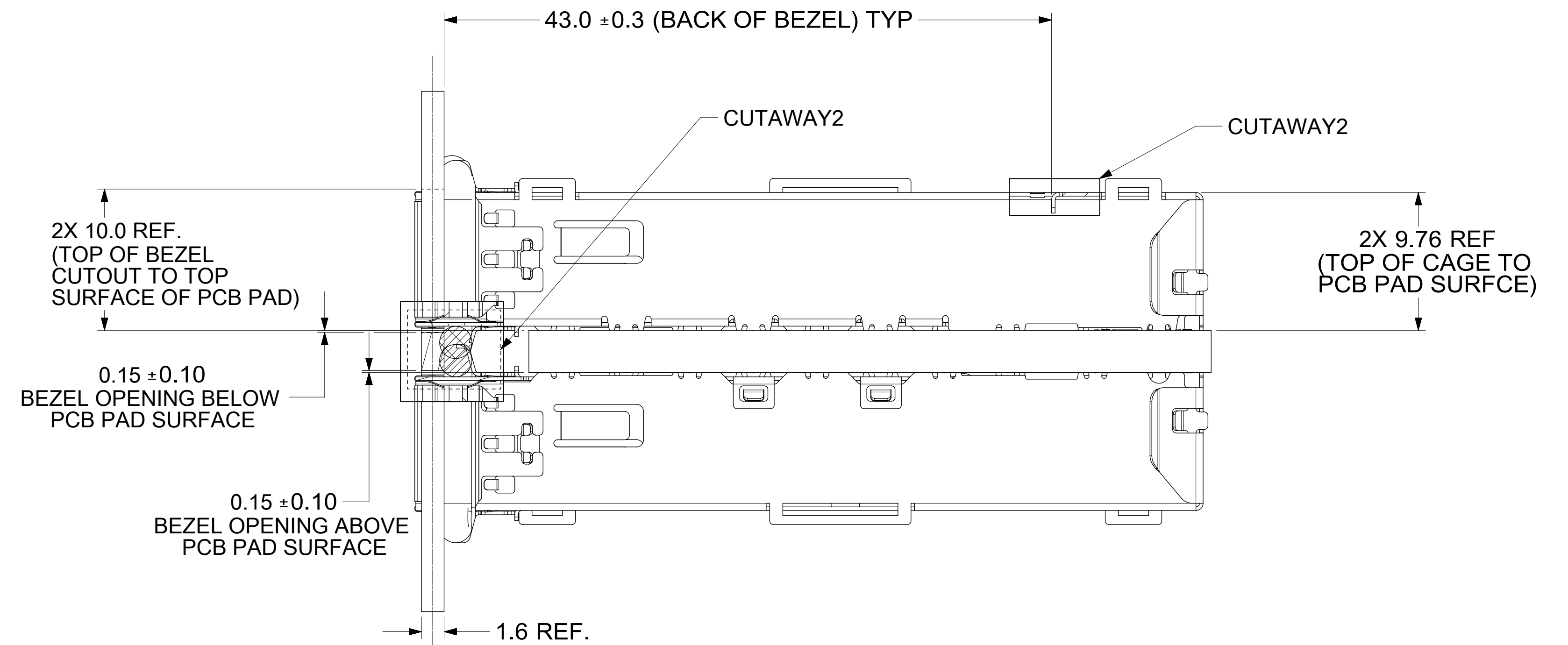
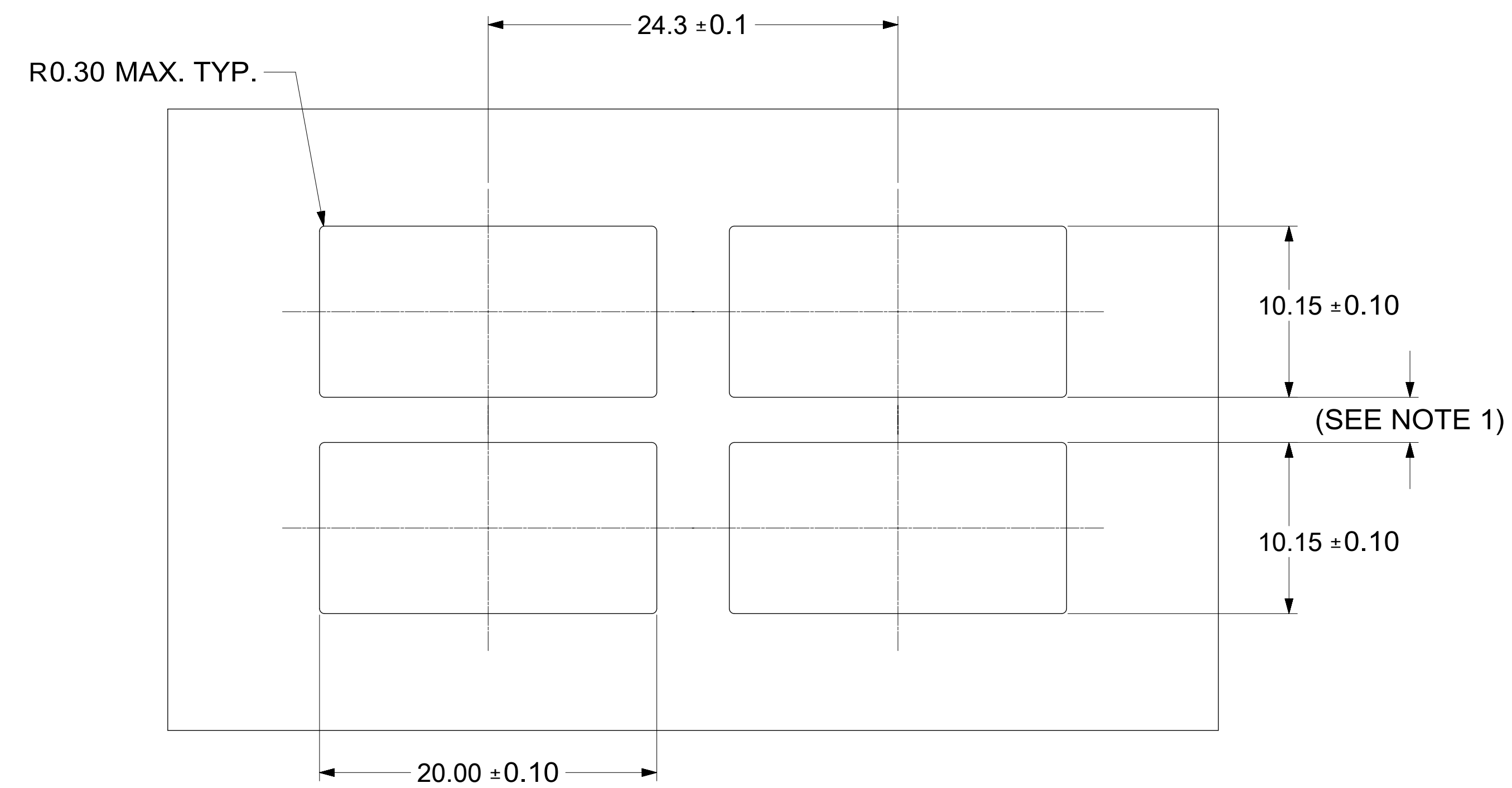
- NOTES:
- DATUM -A- IS TOP SURFACE OF HOST BOARD PER MSA
 - FINISHED HOLE SIZE (AFTER PLATING)
 - DATUM -K- IS HOST BOARD THRU HOLE #1 TO ACCEPT CONNECTOR GUIDE POST PER MSA
 - DATUM -L- IS HOST BOARD THRU HOLE #2 TO ACCEPT CONNECTOR GUIDE POST PER MSA
 - BELLY TO BELLY BOARD THICKNESS:
NOMINAL: 2.90 mm
MINIMUM: 2.48 mm

THIS DRAWING CONTAINS INFORMATION THAT IS PROPRIETARY TO MOLEX ELECTRONIC TECHNOLOGIES, LLC AND SHOULD NOT BE USED WITHOUT WRITTEN PERMISSION									
DIMENSION UNITS	SCALE	CURRENT REV DESC:							
mm	6:1	<p>molex</p> <p>QSFP+ 1X1 CAGE ASSEMBLY W / ELASTOMERIC GASKET, SUS INNER SPRING FINGER (ROUND & SQUARE)</p> <p>PRODUCT CUSTOMER DRAWING</p> <p>DOCUMENT NUMBER: 747503022 DOC TYPE: PSD DOC PART: ASY REVISION: A</p> <p>MATERIAL NUMBER: SEE SHEET 4 CUSTOMER: SHEET NUMBER: 6 OF 9</p>							
GENERAL TOLERANCES (UNLESS SPECIFIED)									
ANGULAR TOL	$\pm 1.0^\circ$								
4 PLACES	\pm								
3 PLACES	\pm								
2 PLACES	± 0.13								
1 PLACE	± 0.25	EC NO: 712623	DRWN: PKH	2022/05/27					
0 PLACES	\pm	CHK'D: DKUMARG	2022/06/29						
DRAFT WHERE APPLICABLE MUST REMAIN WITHIN DIMENSIONS		APPR: SCHIEN	2022/07/07						
THIRD ANGLE PROJECTION		INITIAL REVISION:	DRWN: PKH	2022/05/27					
DRAWING		APPR: SCHIEN	2022/07/07						
D-SIZE		SERIES	74750						

BEZEL AND BOARD POSITION DIMENSIONS FOR SINGLE SIDE MOUNTING



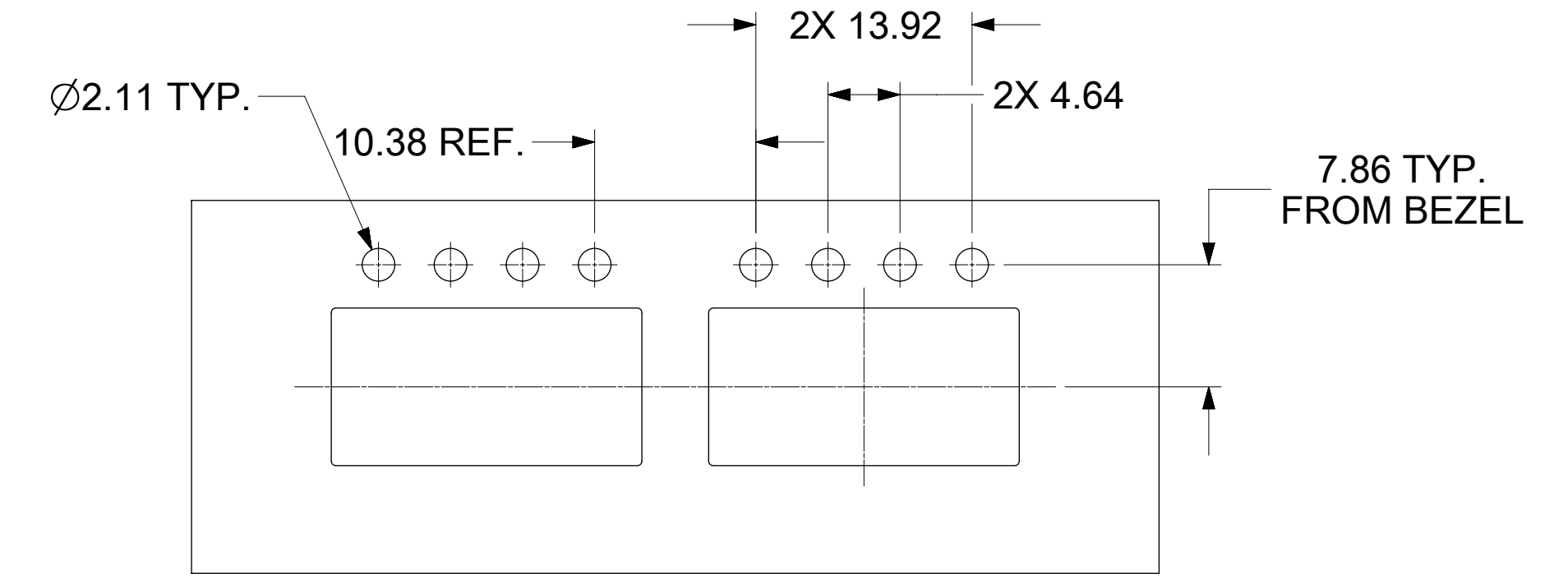
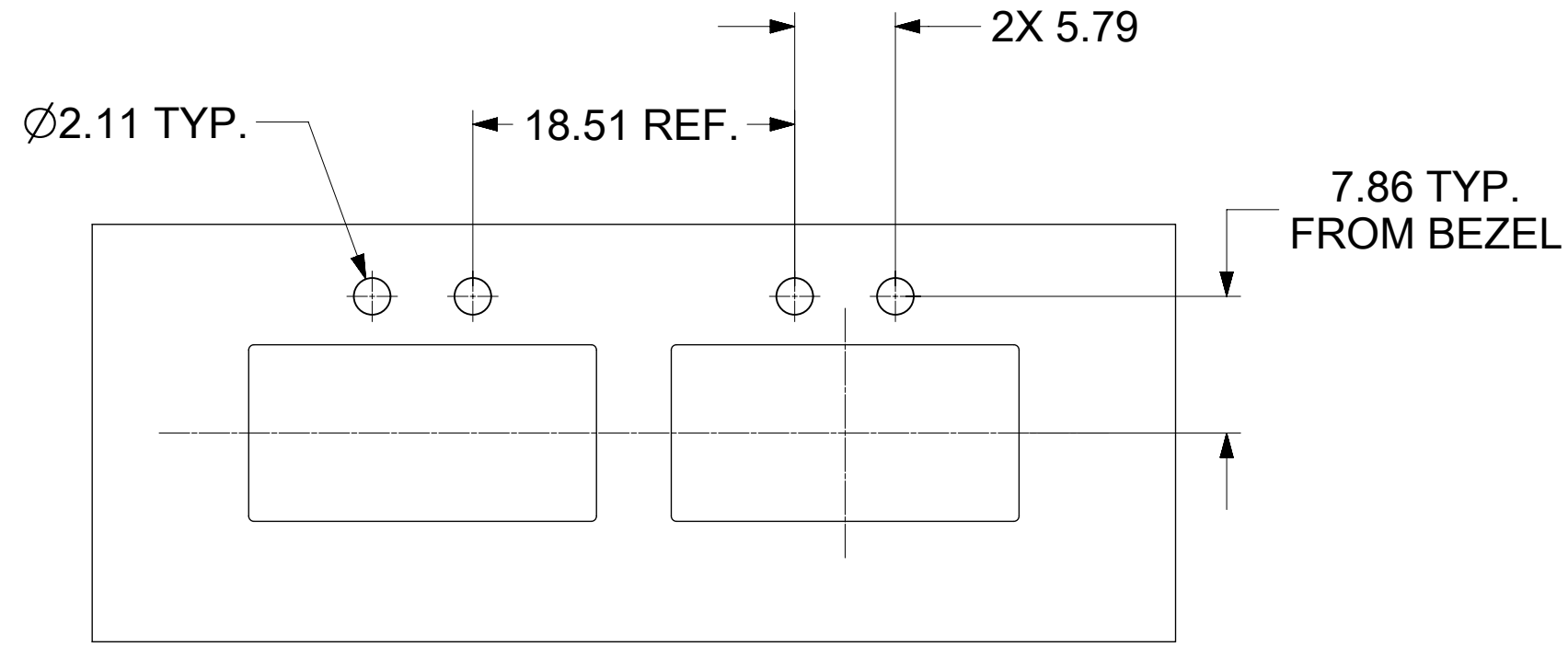
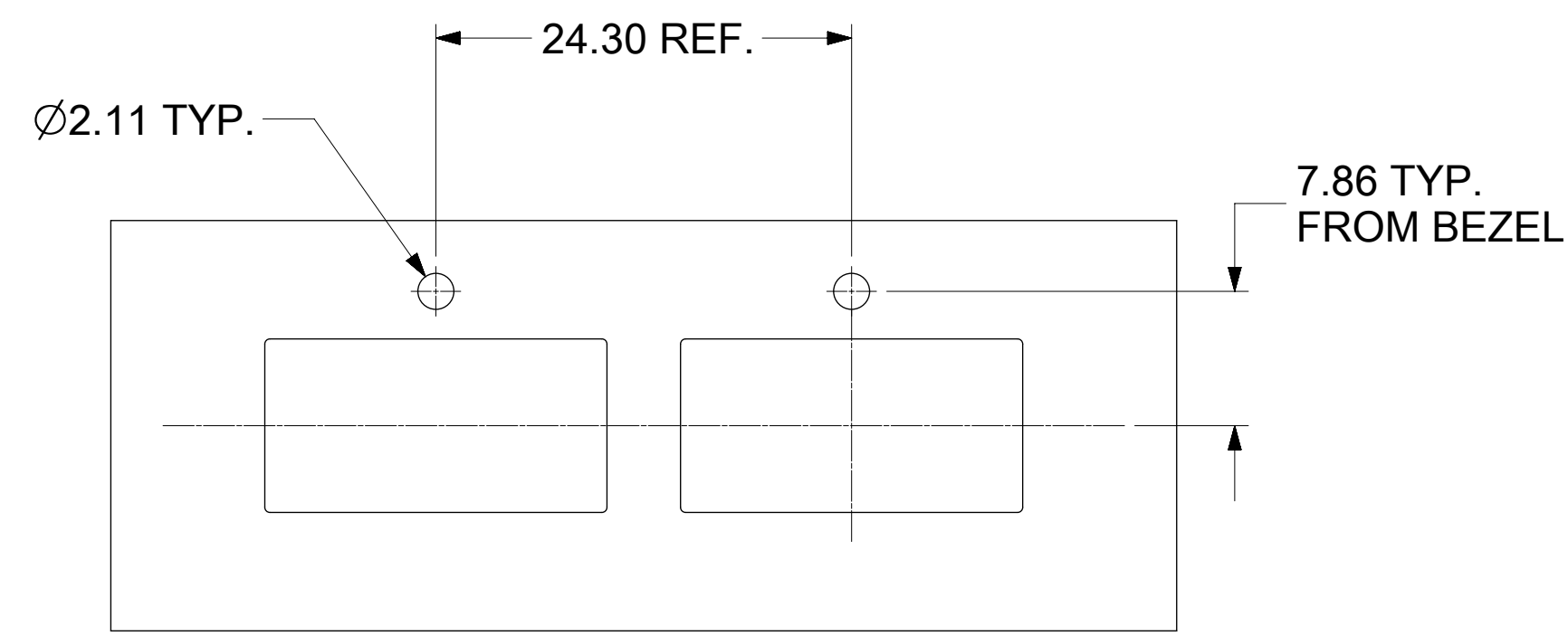
BEZEL AND BOARD POSITION DIMENSIONS FOR BELLY TO BELLY MOUNTING



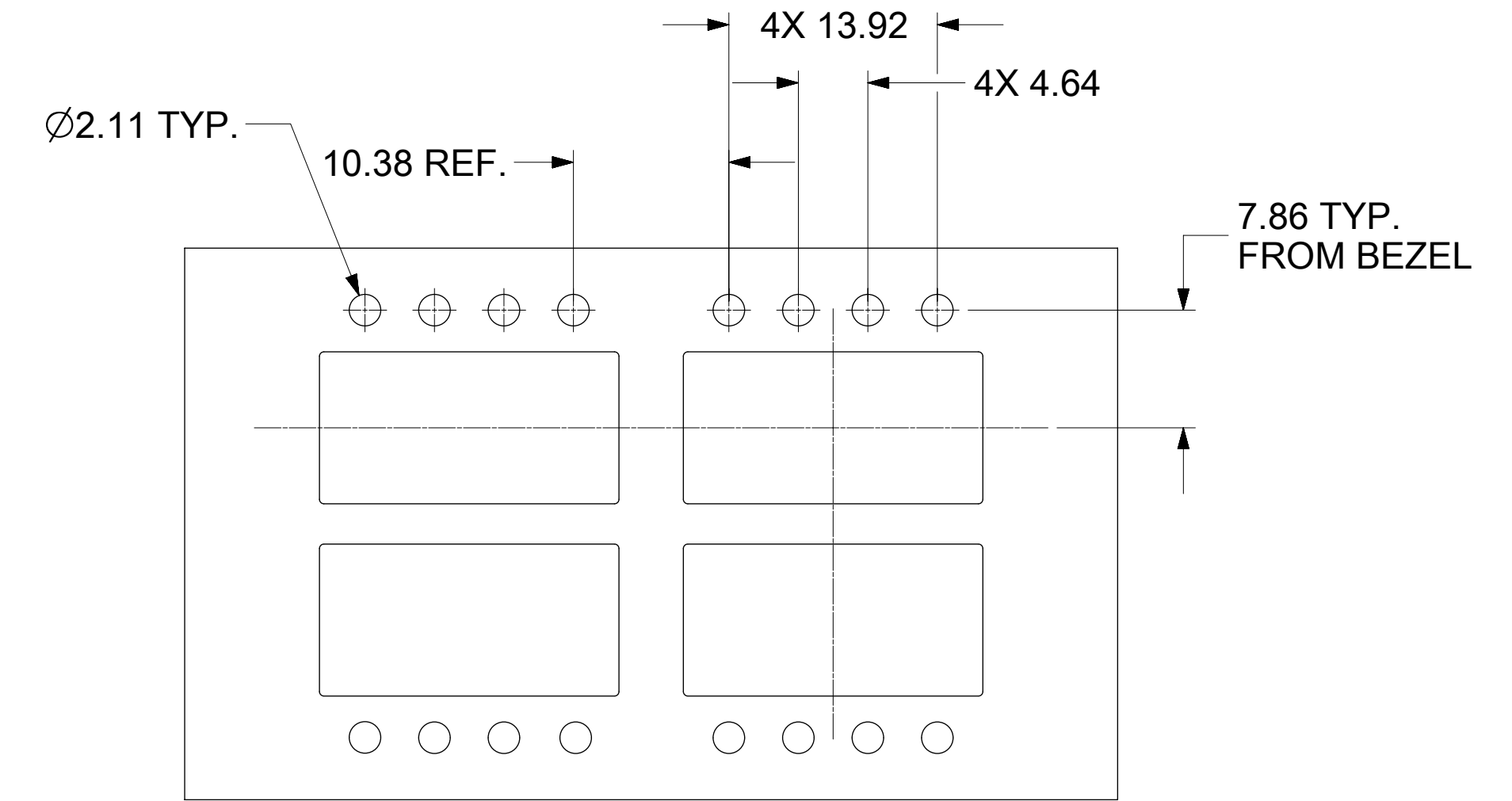
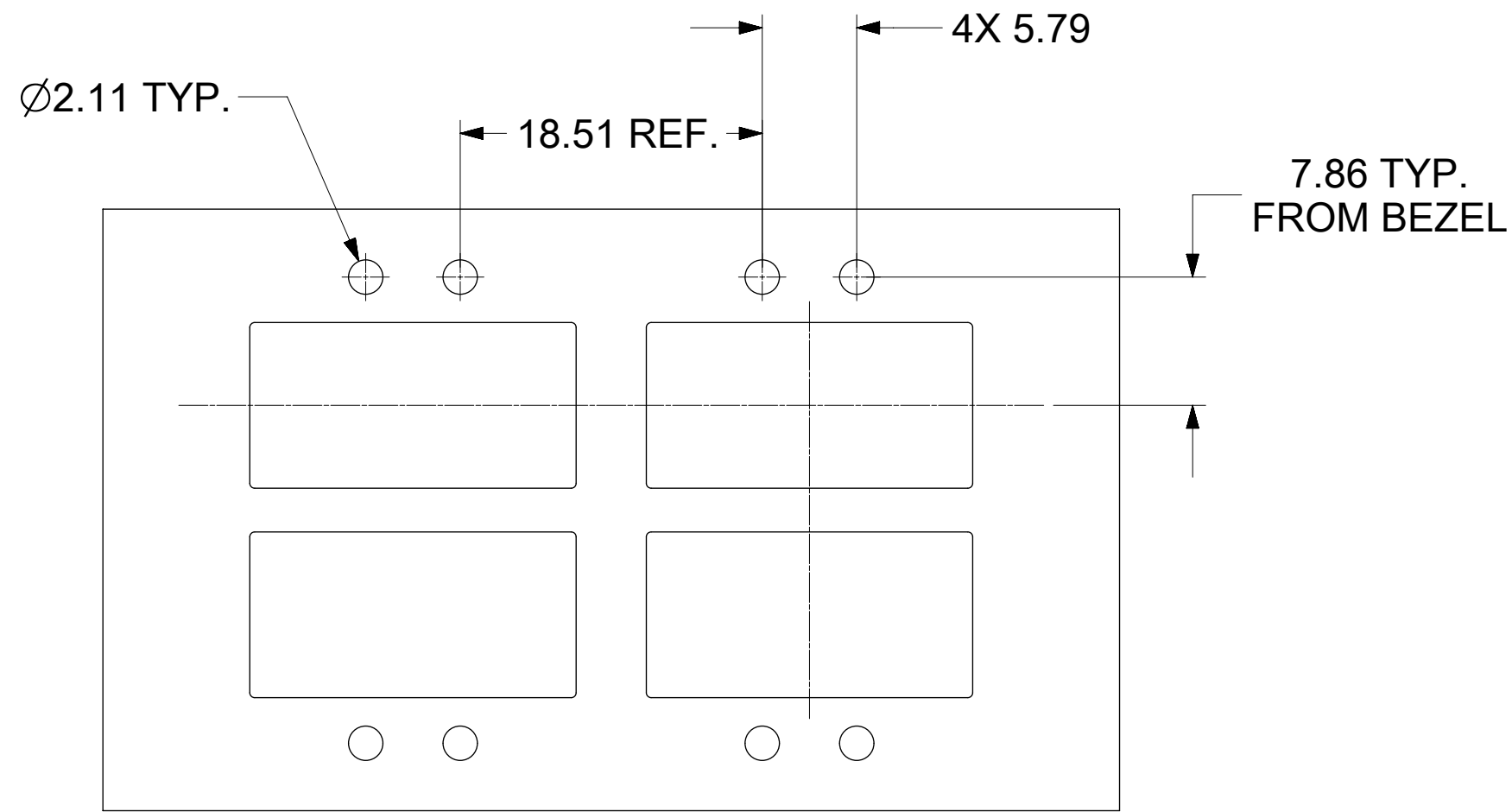
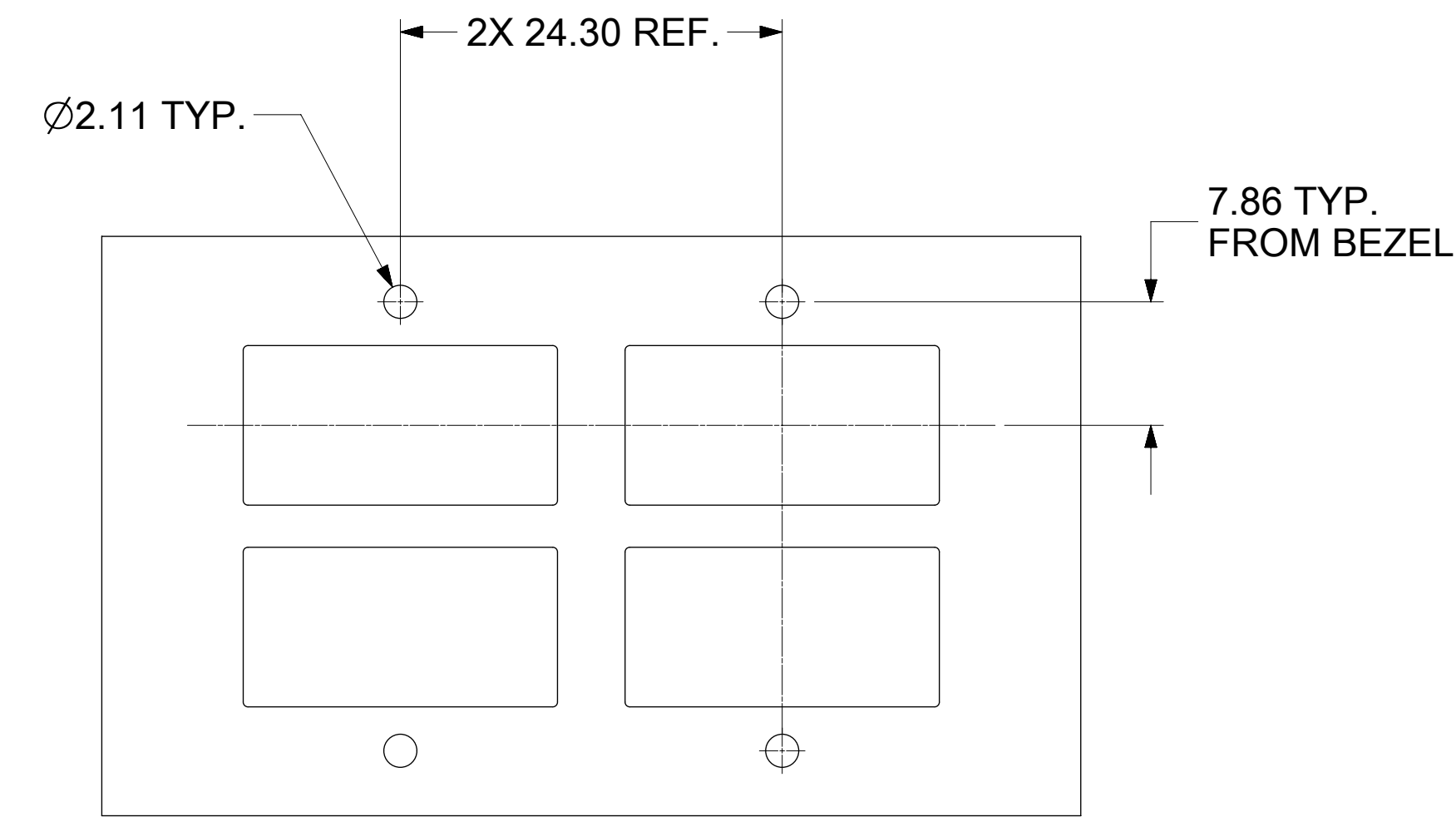
NOTE:
1. PCB THICKNESS VARIATION MUST BE CONSIDERED WHEN DETERMINING BEZEL OPENING, SIZE, AND LOCATION.

THIS DRAWING CONTAINS INFORMATION THAT IS PROPRIETARY TO MOLEX ELECTRONIC TECHNOLOGIES, LLC AND SHOULD NOT BE USED WITHOUT WRITTEN PERMISSION									
DIMENSION UNITS	SCALE	CURRENT REV DESC:							
mm	4:1								
GENERAL TOLERANCES (UNLESS SPECIFIED)									
ANGULAR TOL	± 1.0°								
4 PLACES	±	EC NO: 712623							
3 PLACES	±	DRWN: PKH 2022/05/27							
2 PLACES	± 0.13	CHK'D: DKUMARG 2022/06/29							
1 PLACE	± 0.25	APPR: SCHIEN 2022/07/07							
0 PLACES	±	INITIAL REVISION:							
DRAFT WHERE APPLICABLE MUST REMAIN WITHIN DIMENSIONS		THIRD ANGLE PROJECTION		DRAWING	SERIES	MATERIAL NUMBER			
		D-SIZE		74750	747503022				
				CUSTOMER		SEE SHEET 4			
						DOC TYPE		DOC PART	REVISION
						PSD		ASY	A
								SHEET NUMBER	
								7 OF 9	

BEZEL LIGHT PIPE CUTOUT POSITION DIMENSIONS FOR SINGLE SIDE MOUNTING



BEZEL LIGHT PIPE CUTOUT POSITION DIMENSIONS FOR BELLY-TO-BELLY MOUNTING

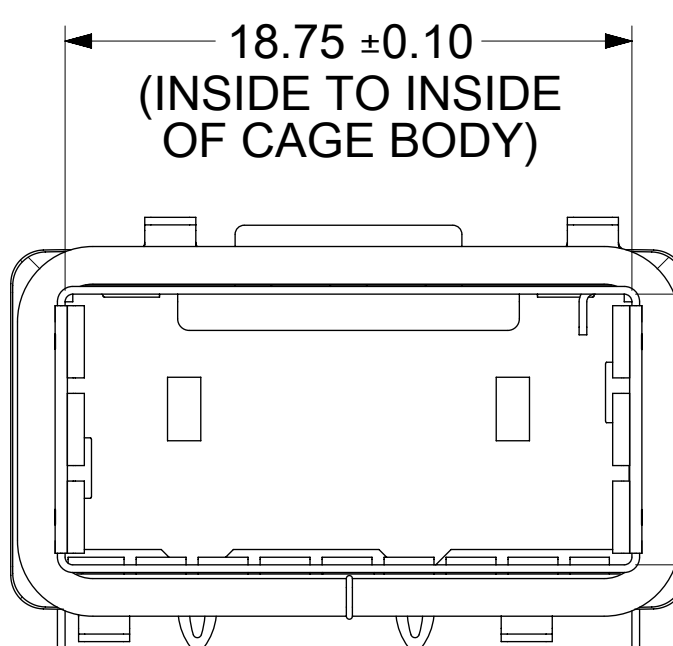
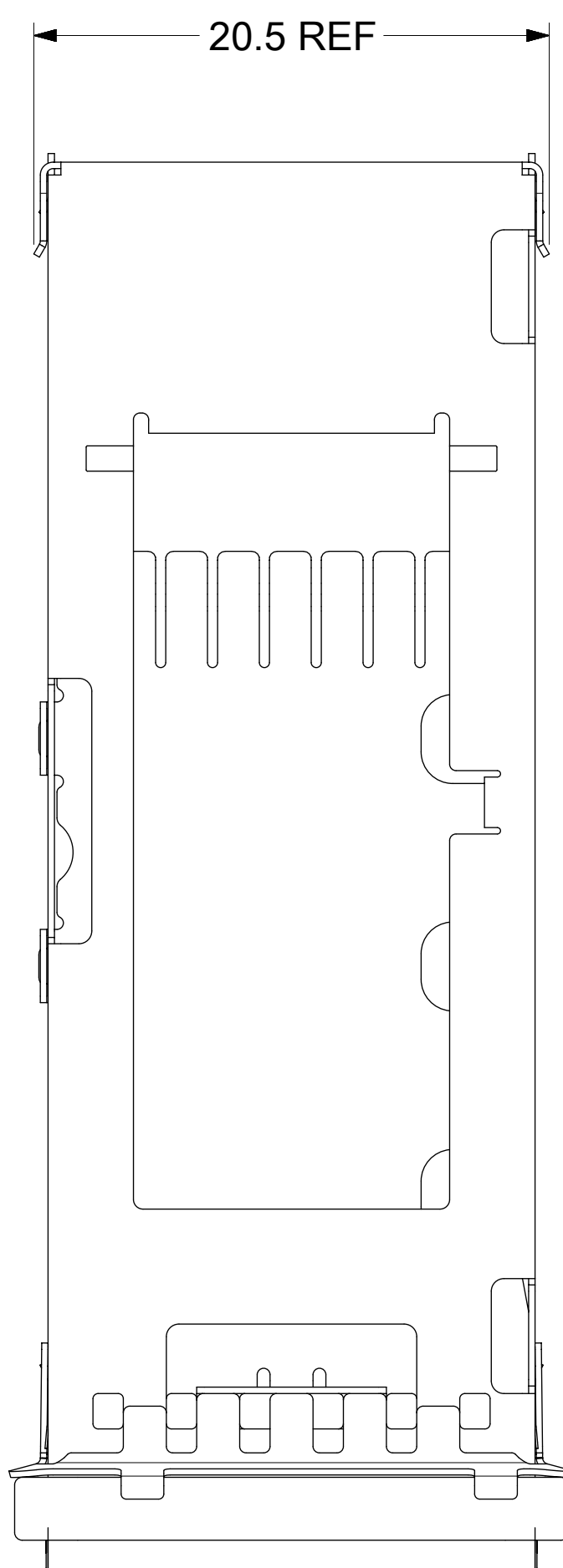


NOTE:
1. PCB THICKNESS VARIATION MUST BE CONSIDERED WHEN DETERMINING BEZEL OPENING, SIZE, AND LOCATION.

THIS DRAWING CONTAINS INFORMATION THAT IS PROPRIETARY TO MOLEX ELECTRONIC TECHNOLOGIES, LLC AND SHOULD NOT BE USED WITHOUT WRITTEN PERMISSION											
DIMENSION UNITS		SCALE		CURRENT REV DESC:							
mm		2.5:1									
GENERAL TOLERANCES (UNLESS SPECIFIED)				EC NO: 712623						DOCUMENT NUMBER	
ANGULAR TOL ± 1.0°				DRWN: PKH 2022/05/27						747503022	
4 PLACES ±				CHK'D: DKUMARG 2022/06/29						DOC TYPE	
3 PLACES ±				APPR: SCHIEN 2022/07/07						PSD	
2 PLACES ± 0.13				INITIAL REVISION:						DOC PART	
1 PLACE ± 0.25				DRWN: PKH 2022/05/27						ASY	
0 PLACES ±				APPR: SCHIEN 2022/07/07						REVISION	
DRAFT WHERE APPLICABLE MUST REMAIN WITHIN DIMENSIONS				THIRD ANGLE PROJECTION		DRAWING		SERIES		CUSTOMER	
						D-SIZE		74750		SEE SHEET 4	
										SHEET NUMBER	
										8 OF 9	

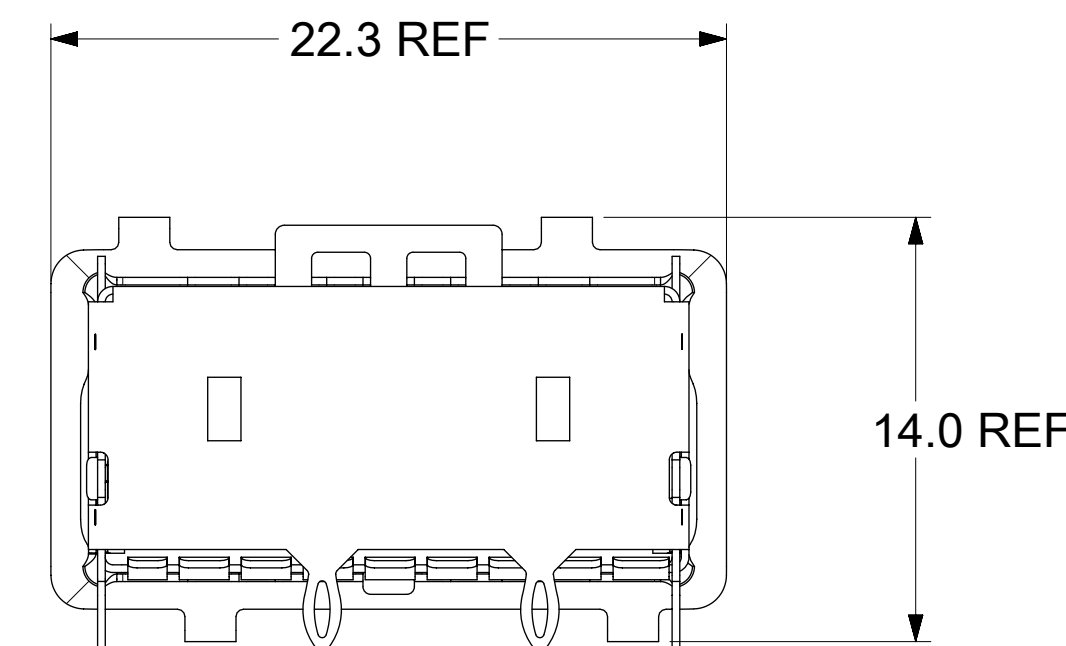
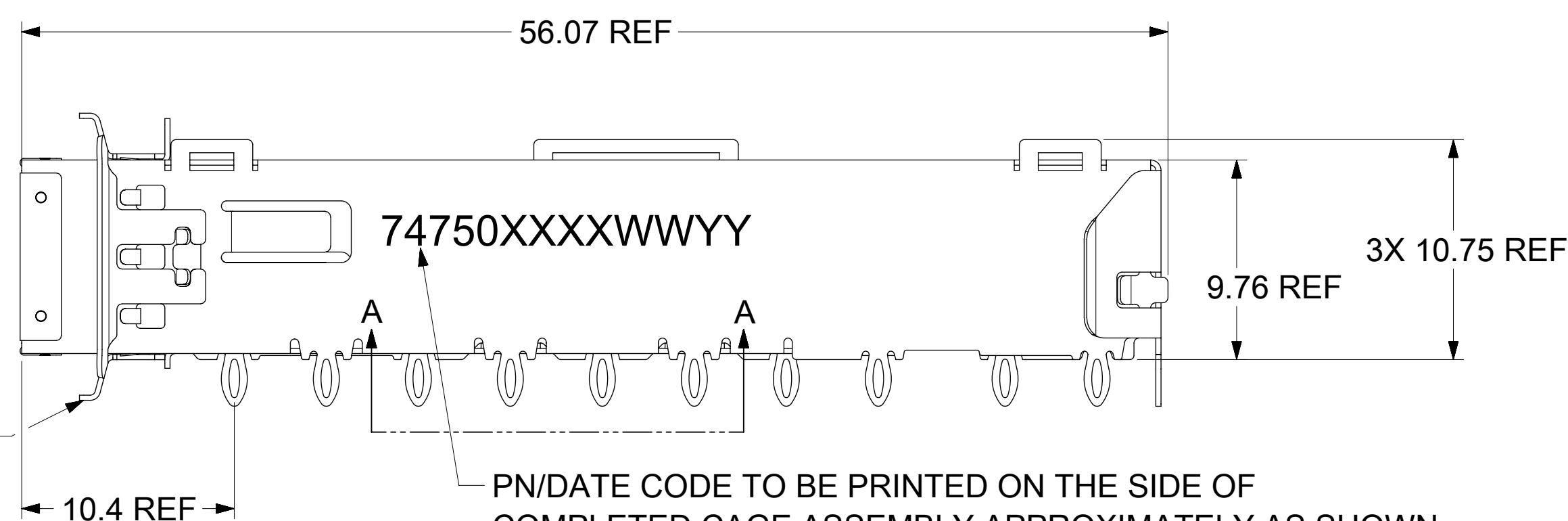
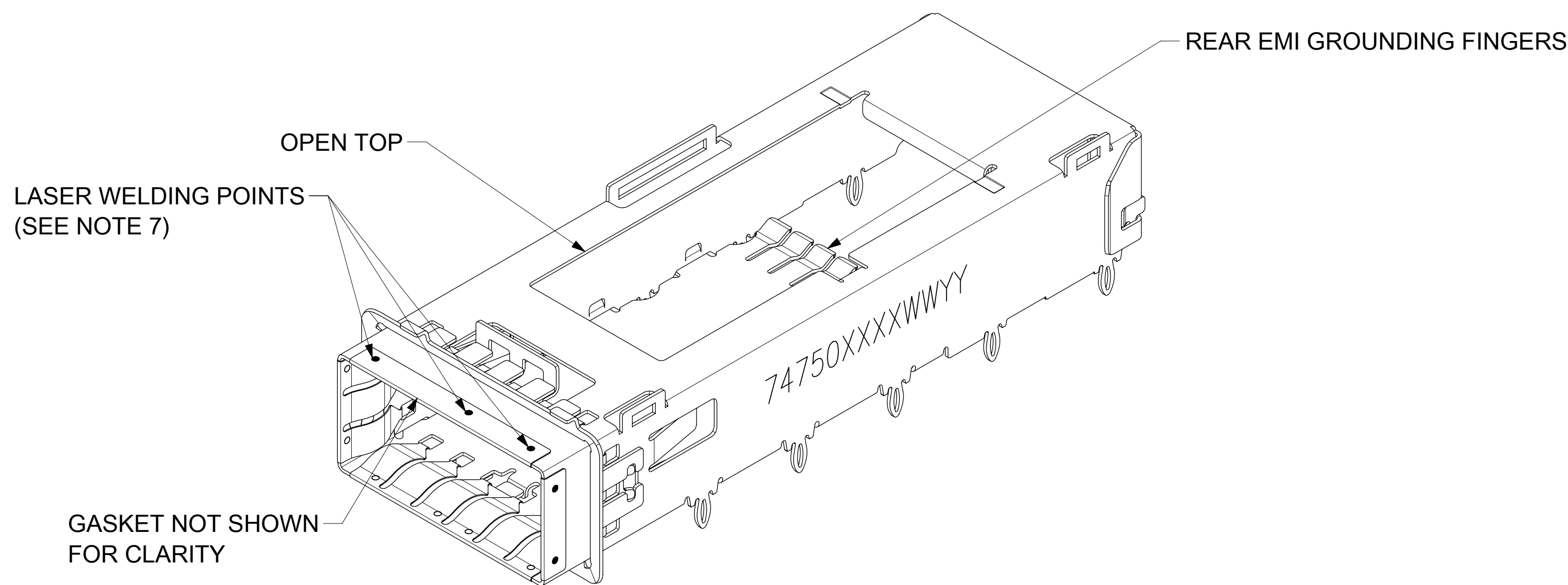
BASE CAGE DETAILS

747503601 SHOWN



NOTE:
INTERNAL SPRING FINGERS
REMOVED FROM THIS VIEW FOR CLARITY.

GASKET NOT SHOWN
FOR CLARITY

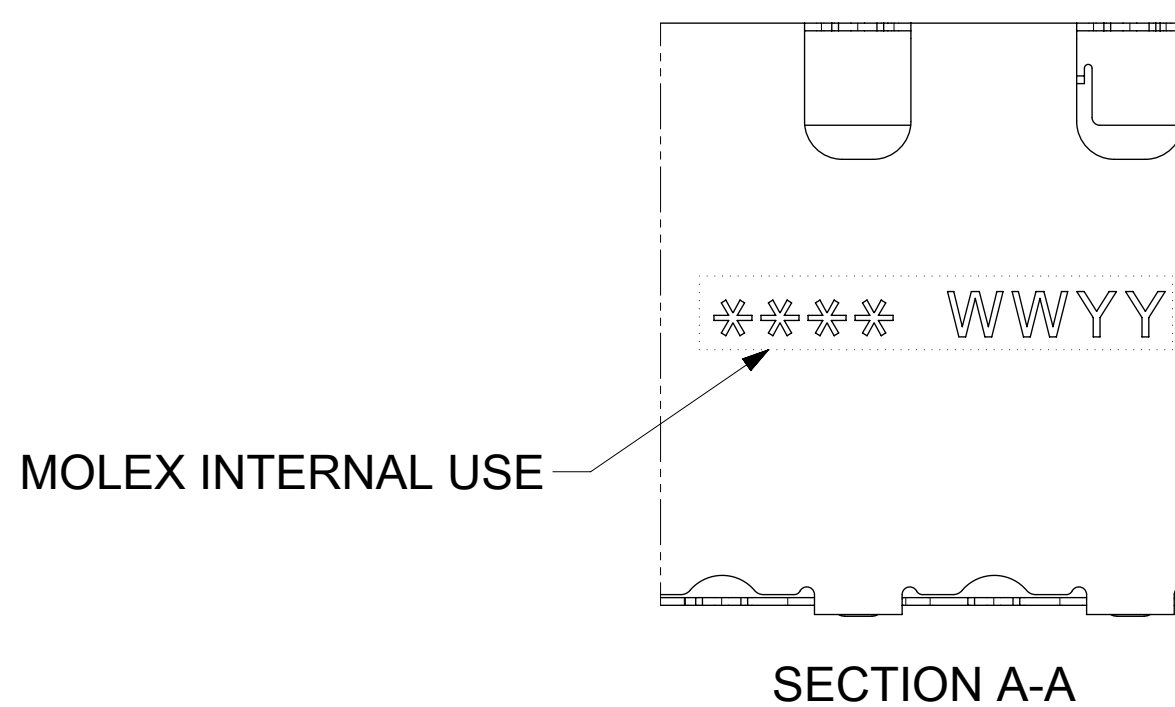


NOTE:
GASKET REMOVED FROM THIS
VIEW FOR CLARITY.

WEEK/YEAR DATE CODE TABLE	
WW	01 THRU 52 OR 53 EXAMPLE: 01 = FIRST WEEK OF YEAR 52 = LAST WEEK OF YEAR
YY	22, 23, 24 ETC. EXAMPLE: YEAR 2022 = 22

ITEM NO.	FG PART NUMBER	HEIGHT FROM STAND-OFF HS	SHEET
1	747503600	16.9	2
2	747503601	17.9	3

- NOTES:
- PRESS FIT LEGS 2.28mm LONG
 - MATERIAL:
CAGE: 0.25mm THICK COPPER ALLOY, NICKEL PLATED
SPRING FINGERS: STAINLESS STEEL
LIGHT PIPE/HEAT SINK CLIP: STAINLESS STEEL
LIGHT PIPES: POLYCARBONATE (UL 94-V0 RATED)
HEATSINKS: ALUMINUM (NICKEL PLATED).
ELASTOMERIC GASKET: AgAI IN SILICONE
 - CUSTOM HEATSINKS AVAILABLE UPON REQUEST
 - QSFP+ ASSEMBLES ALSO AVAILABLE IN 1X2 (74767 SERIES), 1X3 (74768 SERIES), 1X4 (74769 SERIES) AND 1X6 (74771 SERIES).
 - PACKAGED IN TRAYS.
 - NO RoHS EXEMPTIONS.
 - WELD SPOTS MAY SHOW SLIGHT MATERIAL DISCOLORATION



THIS DRAWING CONTAINS INFORMATION THAT IS PROPRIETARY TO MOLEX ELECTRONIC TECHNOLOGIES, LLC AND SHOULD NOT BE USED WITHOUT WRITTEN PERMISSION

DIMENSION UNITS	SCALE	CURRENT REV DESC: SEE REVISION TABLE	
mm	4:1		
GENERAL TOLERANCES (UNLESS SPECIFIED)			
ANGULAR TOL	± 1.0°		
4 PLACES	±	EC NO: 712623	
3 PLACES	±	DRWN: PKH	2022/05/23
2 PLACES	± 0.13	CHK'D: VISHNM2	2022/06/29
1 PLACE	± 0.25	APPR: SCHIEN	2022/07/07
0 PLACES	±	INITIAL REVISION:	
DRAFT WHERE APPLICABLE MUST REMAIN WITHIN DIMENSIONS		DRWN: PKH	2022/05/23
		APPR: SCHIEN	2022/07/07
THIRD ANGLE PROJECTION	DRAWING	SERIES	MATERIAL NUMBER
	D-SIZE	74750	SEE P/N TABLE
		CUSTOMER	SHEET NUMBER
			1 OF 8

molex

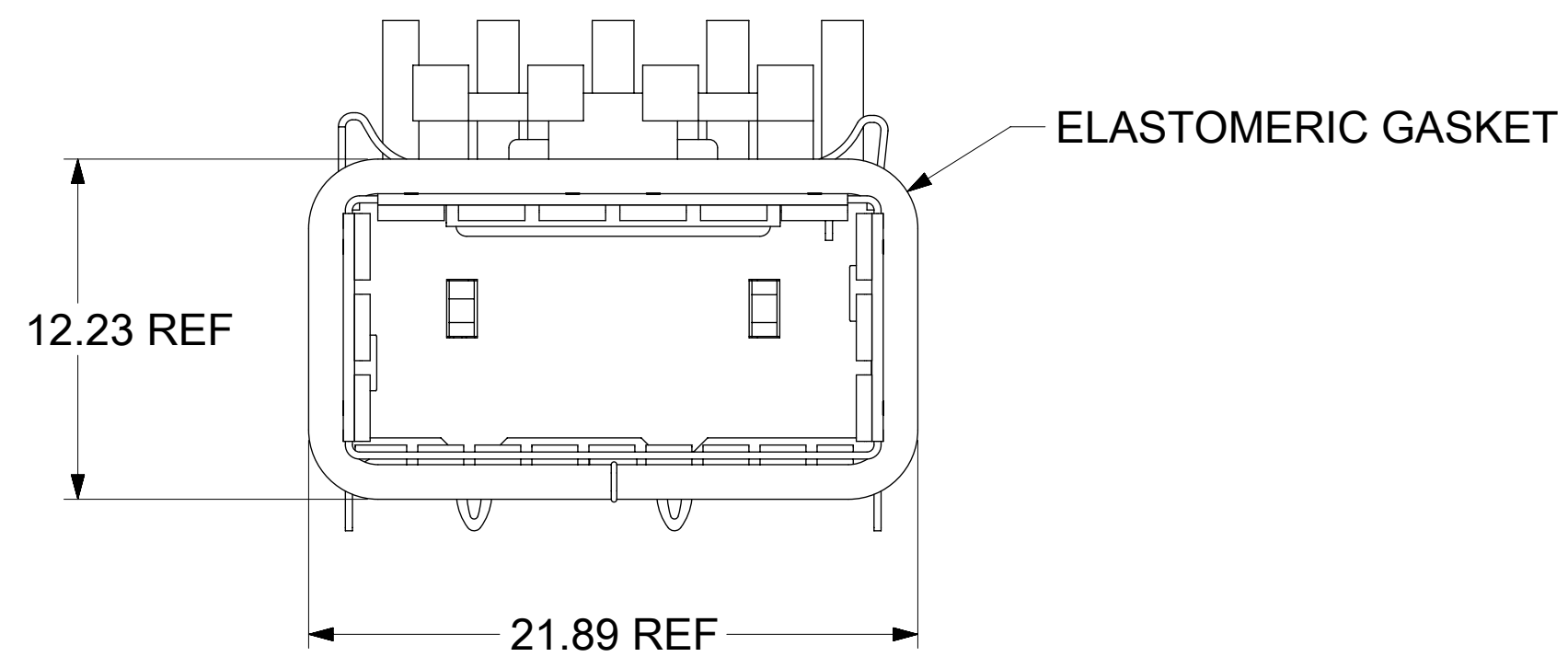
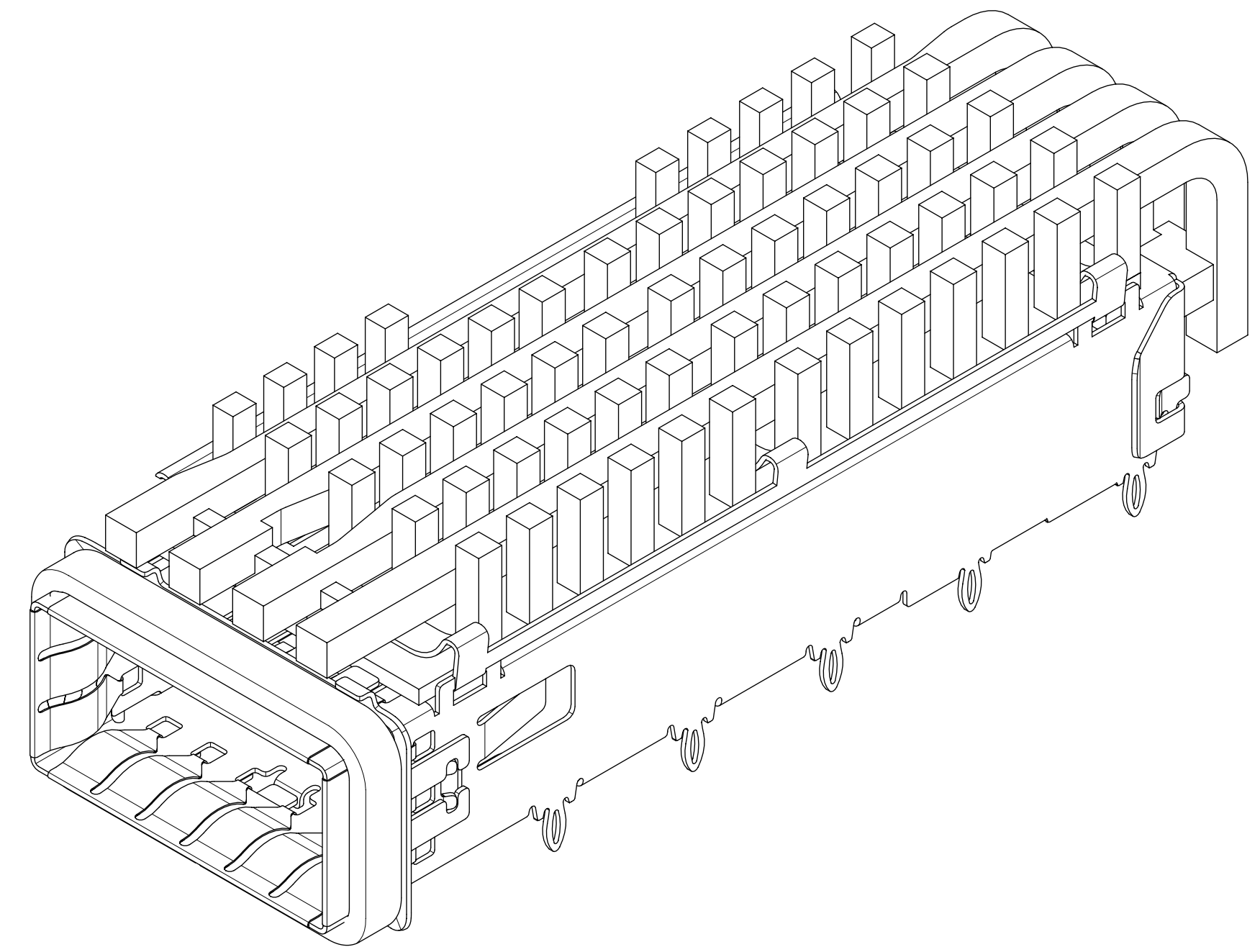
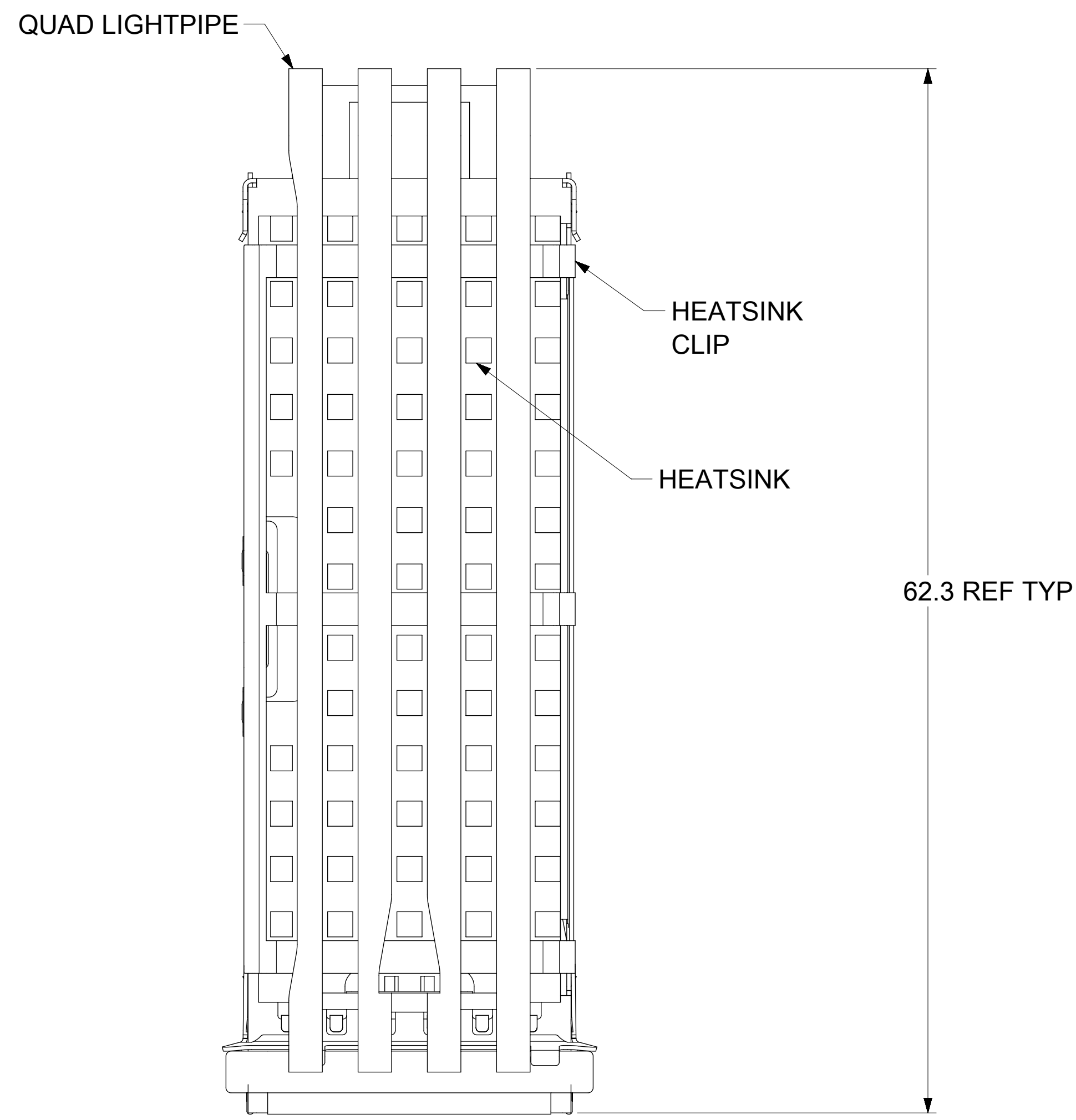
QSFP+ 1X1 CAGE ASSEMBLY 2RL
W/ ELASTOMERIC GASKET, QUAD LP, SUS SPRING FINGER & CUSTOM HS

PRODUCT CUSTOMER DRAWING

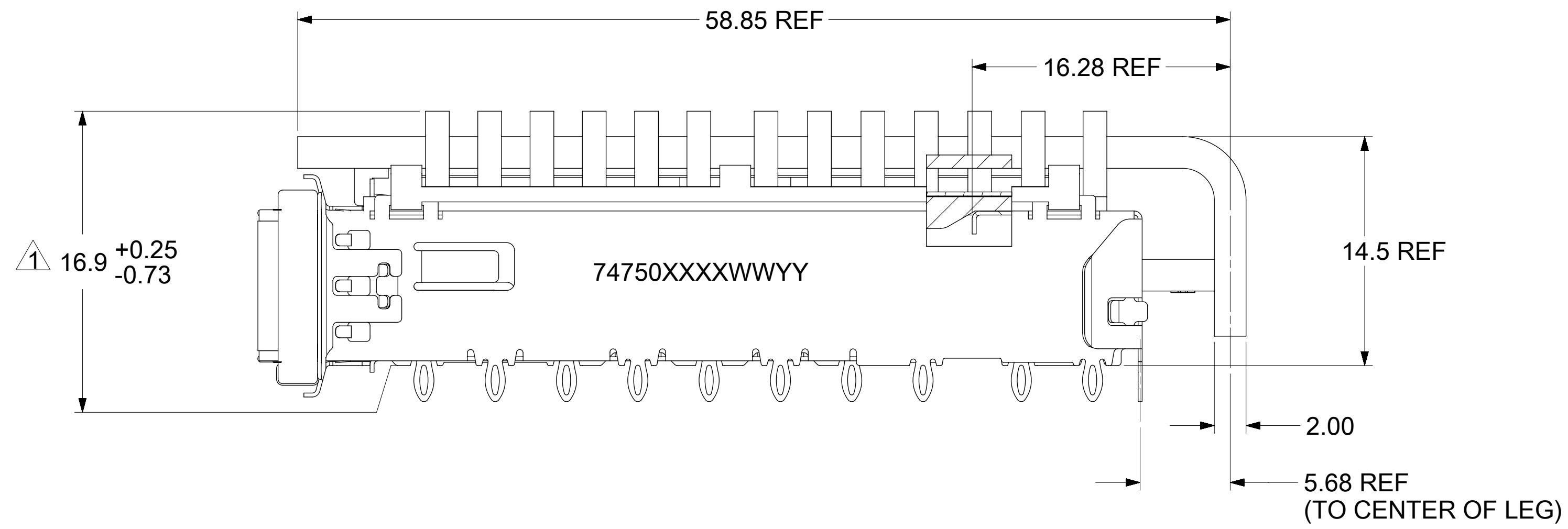
DOCUMENT NUMBER	DOC TYPE	DOC PART	REVISION
747503601	PSD	ASY	A

CAGE ASSEMBLY

747503601 SHOWN



GASKET FRAME HAS BEEN REMOVED FOR CLARITY



HEIGHT OF HEATSINK WITH MODULE INSERTED.
DIMENSION MAY BE LESS DUE TO MODULE AND HEATSINK VARIATIONS.

THIS DRAWING CONTAINS INFORMATION THAT IS PROPRIETARY TO MOLEX ELECTRONIC TECHNOLOGIES, LLC AND SHOULD NOT BE USED WITHOUT WRITTEN PERMISSION											
DIMENSION UNITS		SCALE		CURRENT REV DESC: SEE REVISION TABLE							
mm		4:1									
GENERAL TOLERANCES (UNLESS SPECIFIED)											
ANGULAR TOL		± 1.0°									
4 PLACES		±		EC NO: 712623							
3 PLACES		±		DRWN: PKH		2022/05/23					
2 PLACES		± 0.13		CHK'D: VISHNM2		2022/06/29					
1 PLACE		± 0.25		APPR: SCHIEN		2022/07/07					
0 PLACES		±		INITIAL REVISION:							
				DRWN: PKH		2022/05/23					
				APPR: SCHIEN		2022/07/07					
DRAFT WHERE APPLICABLE MUST REMAIN WITHIN DIMENSIONS				THIRD ANGLE PROJECTION		DRAWING		SERIES		MATERIAL NUMBER	
						D-SIZE		74750		SEE P/N TABLE	
										CUSTOMER	
										SHEET NUMBER	
										2 OF 8	

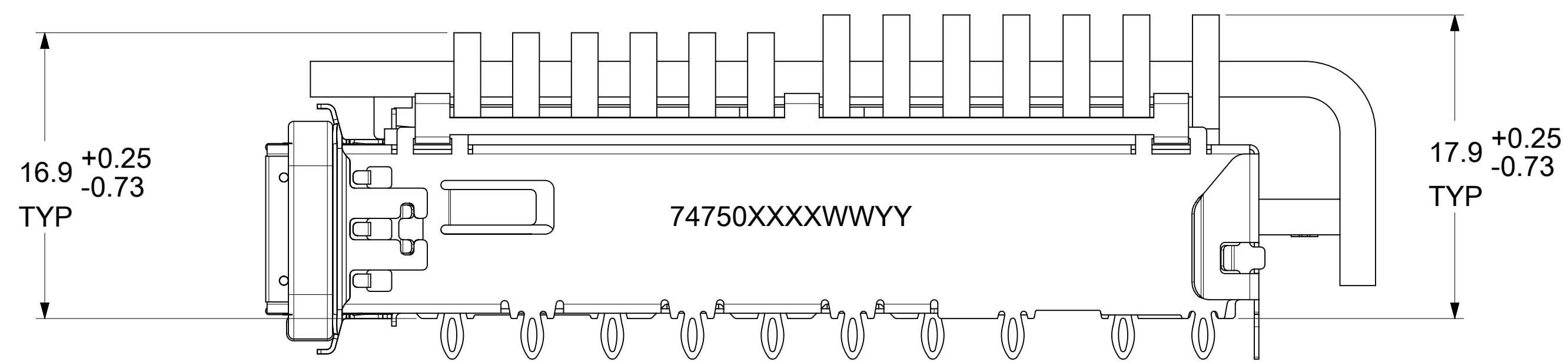
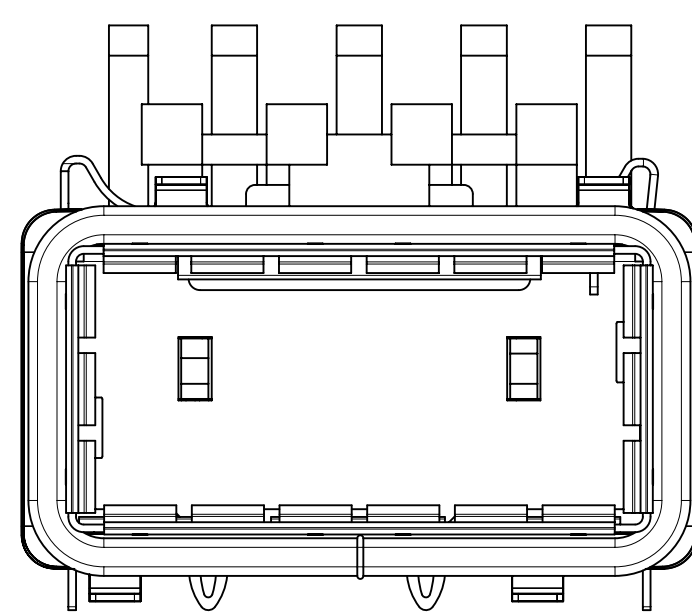
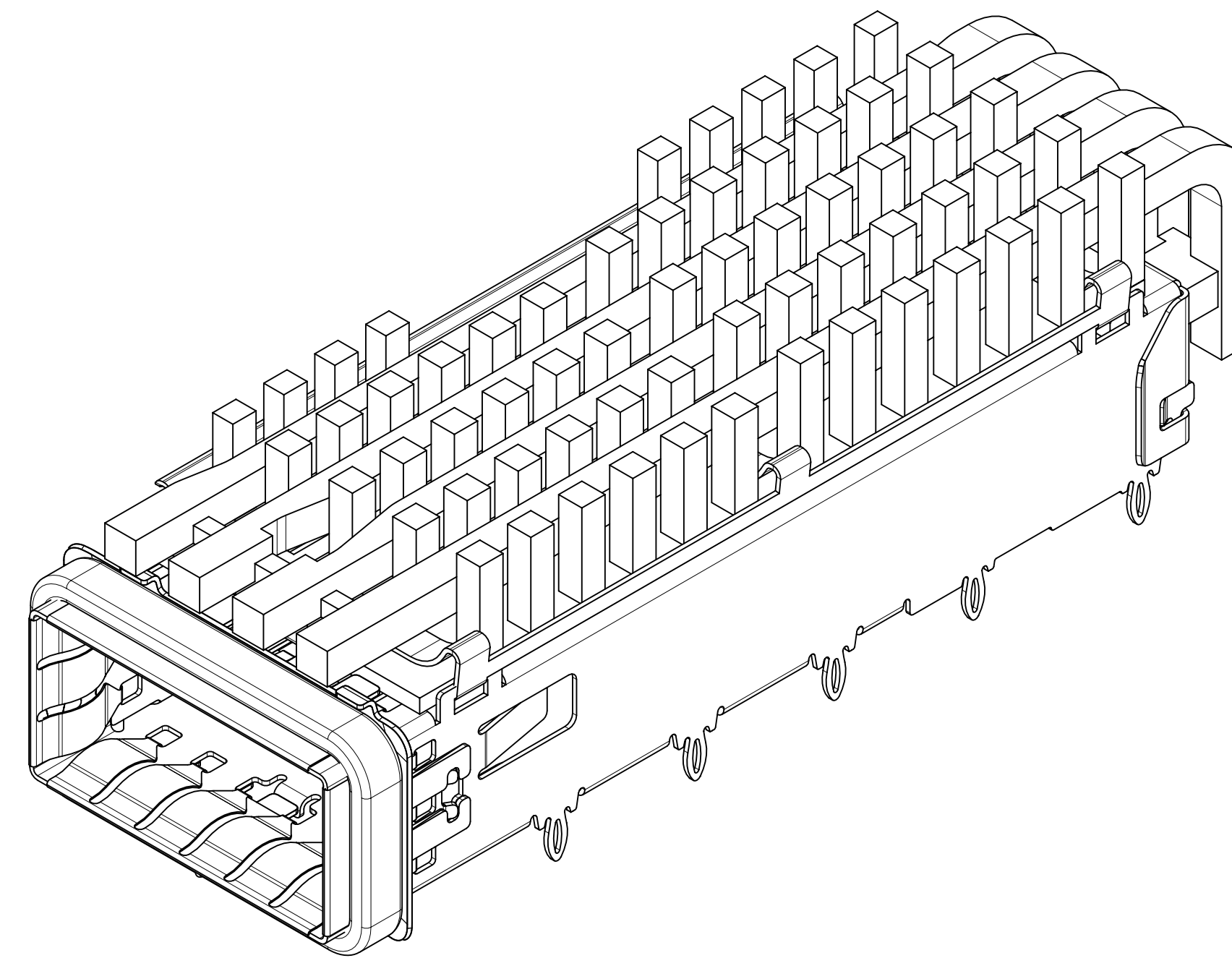
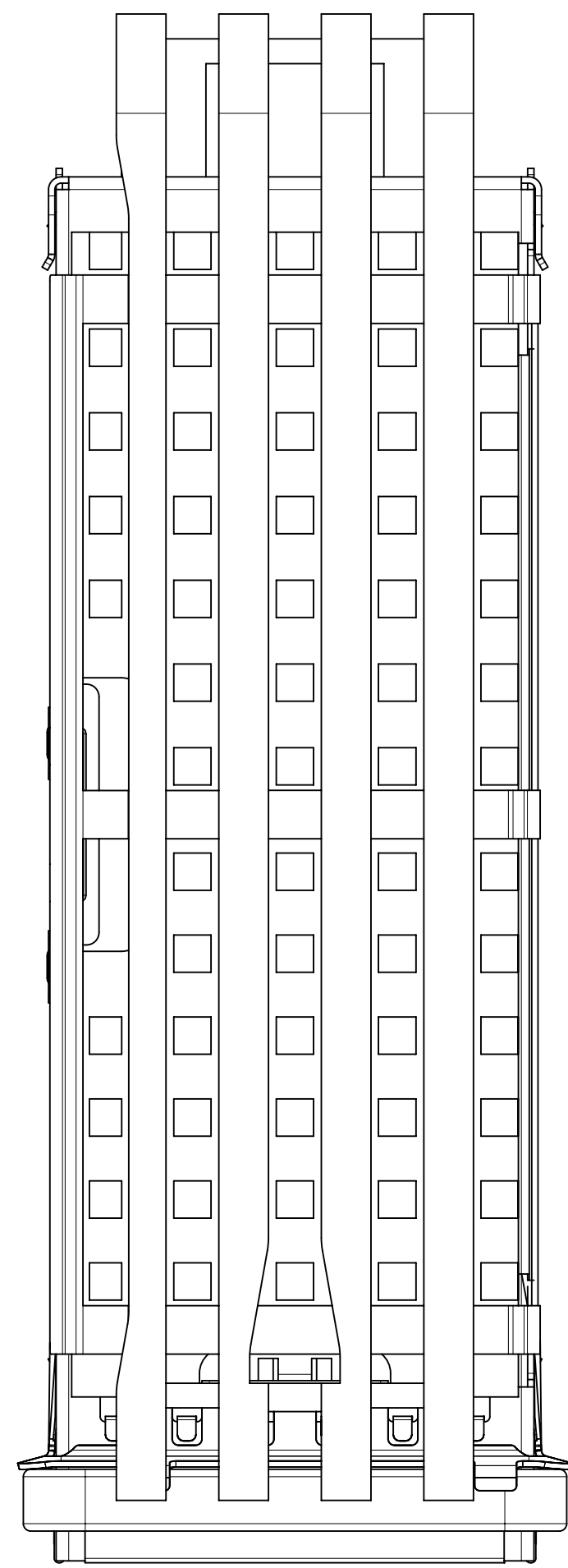
molex

QSFP+ 1X1 CAGE ASSEMBLY 2RL
W/ ELASTOMERIC GASKET, QUAD LP, SUS SPRING
FINGER & CUSTOM HS

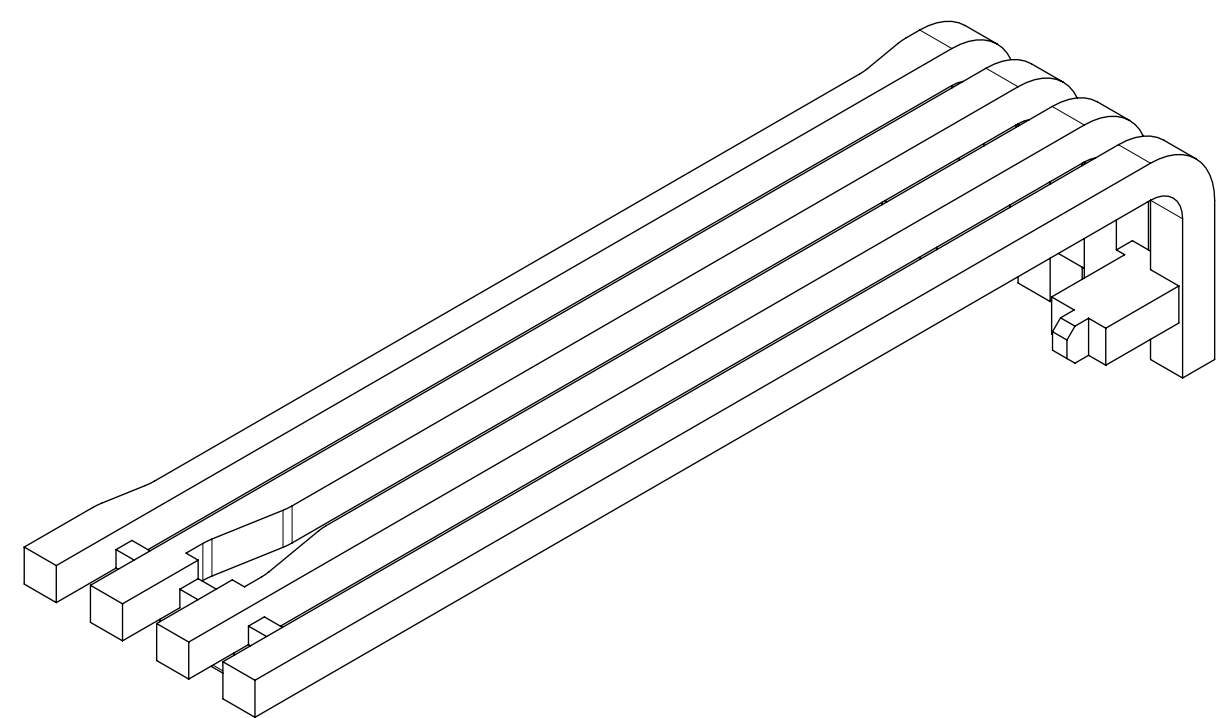
PRODUCT CUSTOMER DRAWING

DOCUMENT NUMBER	DOC TYPE	DOC PART	REVISION
747503601	PSD	ASY	A

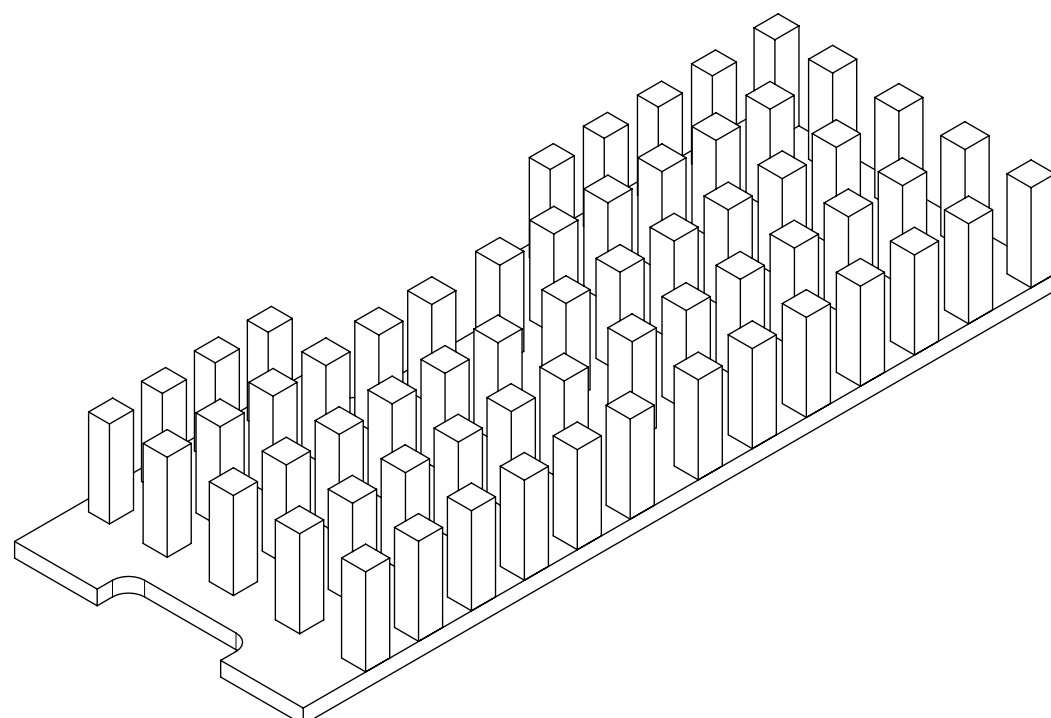
747503600 SHOWN



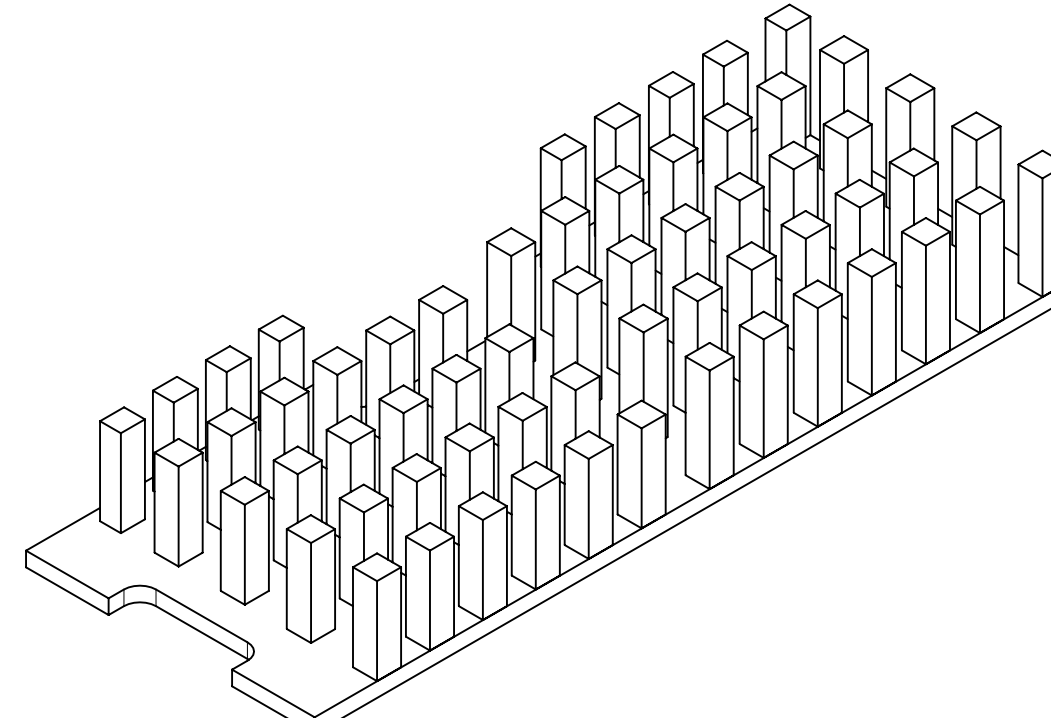
QUAD LIGHT PIPE



CUSTOM HEATSINK



CUSTOM HEATSINK



THIS DRAWING CONTAINS INFORMATION THAT IS PROPRIETARY TO MOLEX ELECTRONIC TECHNOLOGIES, LLC AND SHOULD NOT BE USED WITHOUT WRITTEN PERMISSION			
DIMENSION UNITS	SCALE	CURRENT REV DESC: SEE REVISION TABLE	
mm	5:1		
GENERAL TOLERANCES (UNLESS SPECIFIED)			
ANGULAR TOL	± 1.0°		
4 PLACES	±	EC NO: 712623	
3 PLACES	±	DRWN: PKH	2022/05/23
2 PLACES	± 0.13	CHK'D: VISHNM2	2022/06/29
1 PLACE	± 0.25	APPR: SCHIEN	2022/07/07
0 PLACES	±	INITIAL REVISION:	
DRAFT WHERE APPLICABLE MUST REMAIN WITHIN DIMENSIONS		DRWN: PKH	2022/05/23
		APPR: SCHIEN	2022/07/07
THIRD ANGLE PROJECTION	DRAWING	SERIES	MATERIAL NUMBER
		D-SIZE 74750	SEE P/N TABLE
		CUSTOMER	SHEET NUMBER
			3 OF 8

molex

QSFP+ 1X1 CAGE ASSEMBLY 2RL
W/ ELASTOMERIC GASKET, QUAD LP, SUS SPRING
FINGER & CUSTOM HS

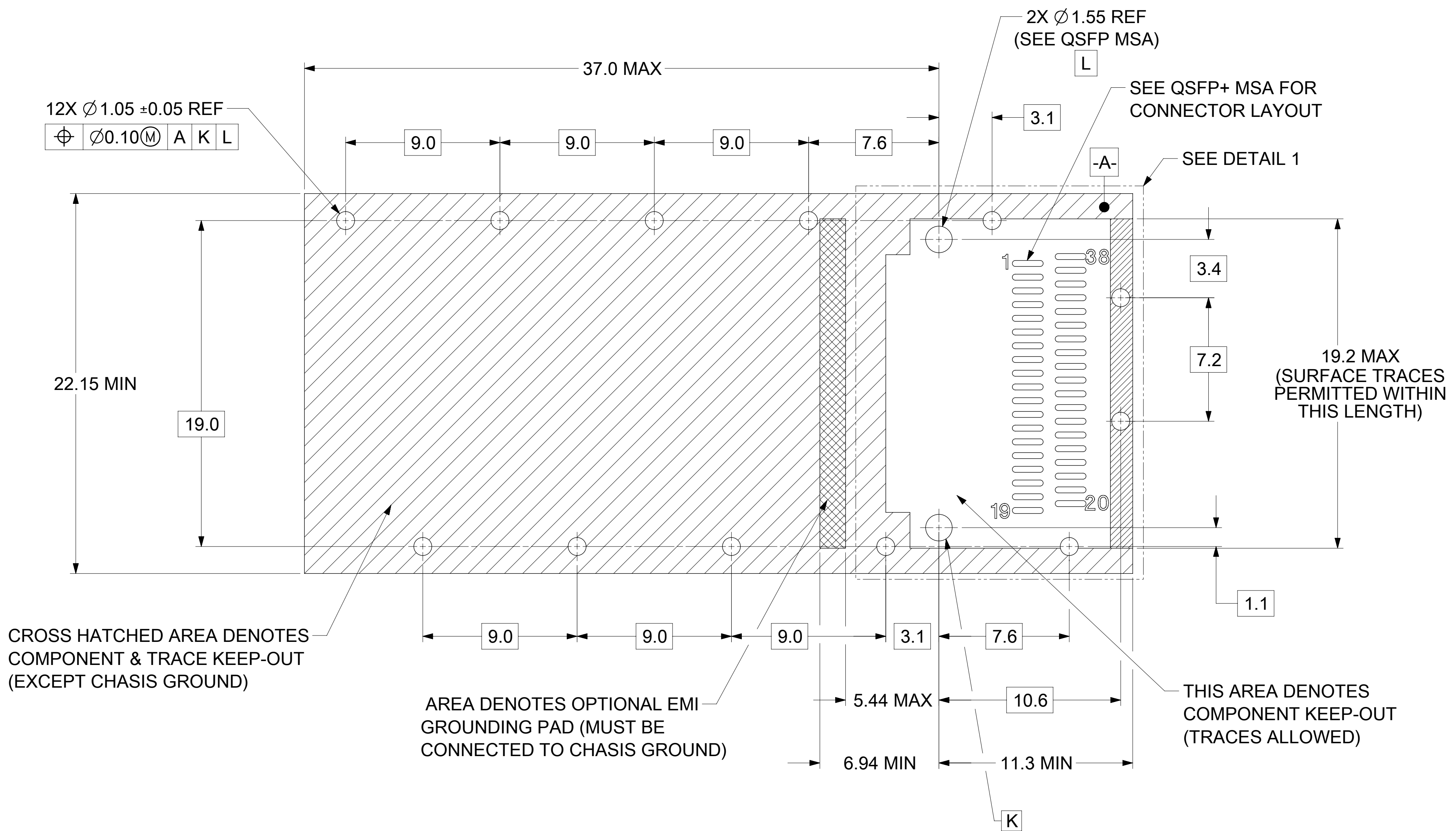
PRODUCT CUSTOMER DRAWING

DOCUMENT NUMBER DOC TYPE DOC PART REVISION

747503601

PSD ASY A

PCB LAYOUT FOR SINGLE SIDED APPLICATIONS

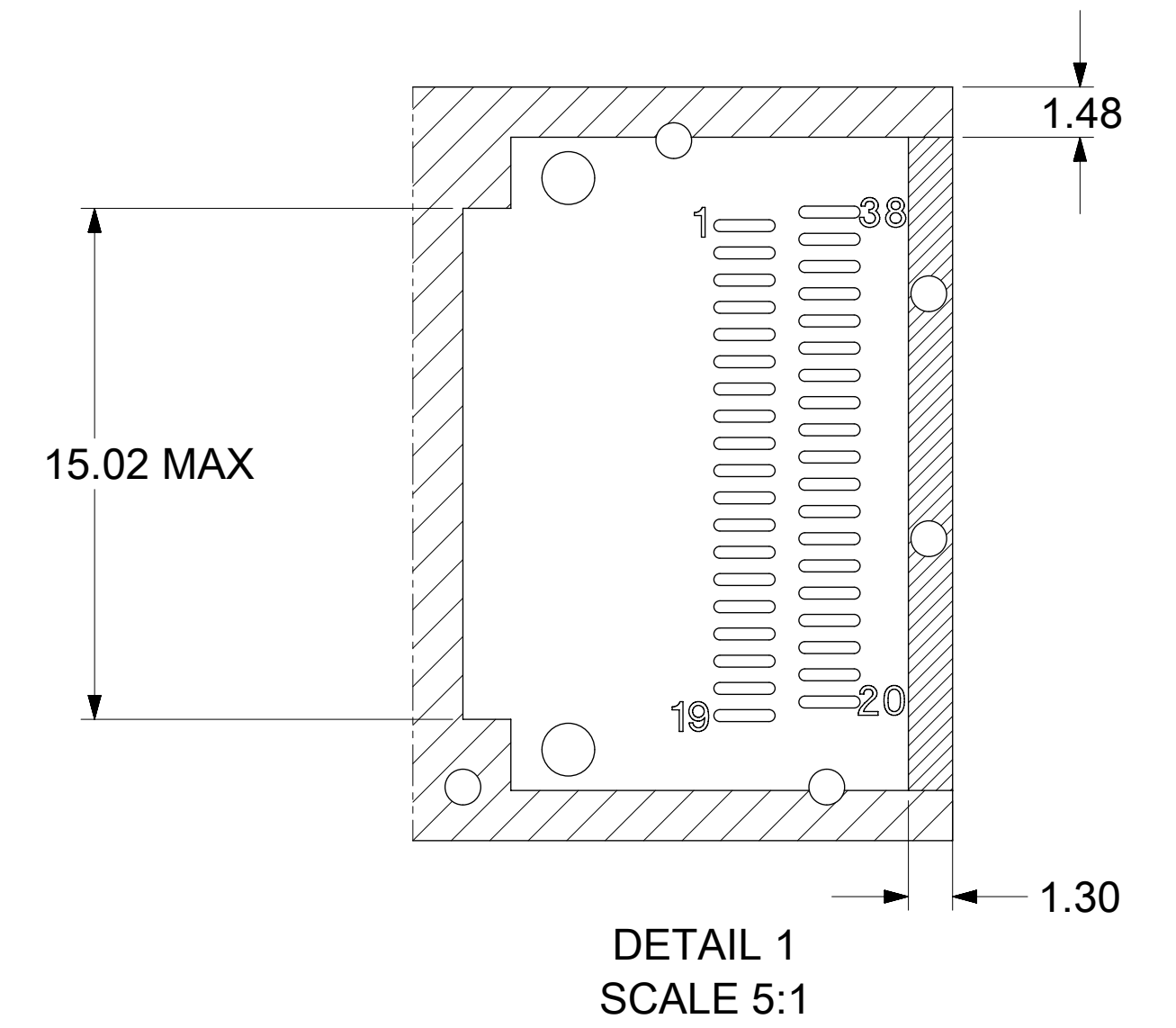


CROSS HATCHED AREA DENOTES COMPONENT & TRACE KEEP-OUT (EXCEPT CHASSIS GROUND)

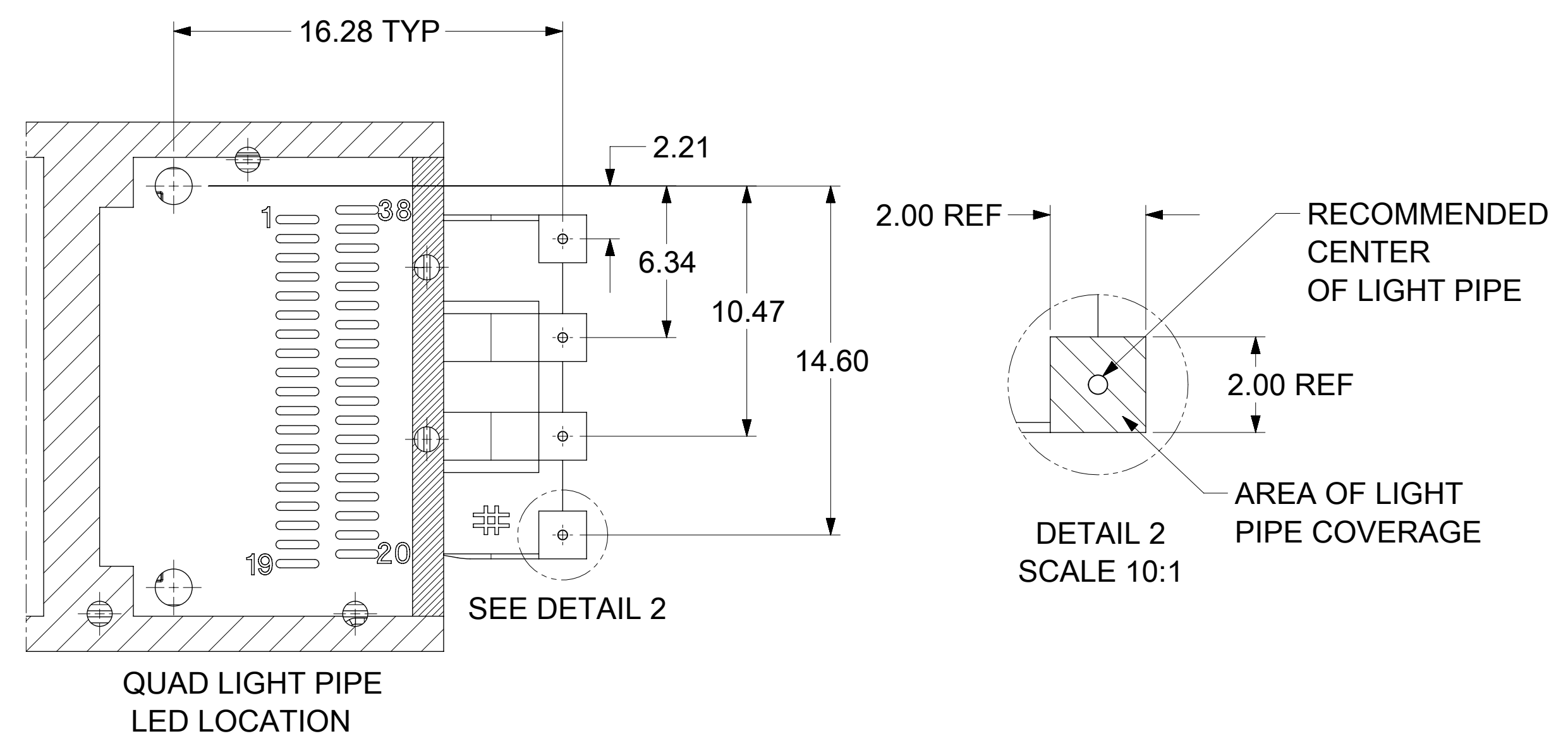
AREA DENOTES OPTIONAL EMI GROUNDING PAD (MUST BE CONNECTED TO CHASSIS GROUND)

THIS AREA DENOTES COMPONENT KEEP-OUT (TRACES ALLOWED)

HOST CONNECTOR DETAIL



FOR CAGE ASSEMBLIES WITH LIGHT PIPES



QUAD LIGHT PIPE LED LOCATION
PARTIAL 1
SCALE 4:1

NOTES:

- DATUM -A- IS TOP SURFACE OF HOST BOARD PER MSA
- FINISHED HOLE SIZE (AFTER PLATING)
- DATUM -K- IS HOST BOARD THRU HOLE #1 TO ACCEPT CONNECTOR GUIDE POST PER MSA
- DATUM -L- IS HOST BOARD THRU HOLE #2 TO ACCEPT CONNECTOR GUIDE POST PER MSA
- SINGLE SIDED BOARD THICKNESS:
NOMINAL: 1.57mm
MINIMUM: 1.44mm

THIS DRAWING CONTAINS INFORMATION THAT IS PROPRIETARY TO MOLEX ELECTRONIC TECHNOLOGIES, LLC AND SHOULD NOT BE USED WITHOUT WRITTEN PERMISSION									
DIMENSION UNITS	SCALE	CURRENT REV DESC: SEE REVISION TABLE							
mm	6:1								
GENERAL TOLERANCES (UNLESS SPECIFIED)									
ANGULAR TOL	± 1.0°								
4 PLACES	±	EC NO: 712623							
3 PLACES	±	DRWN: PKH		2022/05/23					
2 PLACES	± 0.13	CHK'D: VISHNM2		2022/06/29					
1 PLACE	± 0.25	APPR: SCHIEN		2022/07/07					
0 PLACES	±	INITIAL REVISION:							
DRAFT WHERE APPLICABLE MUST REMAIN WITHIN DIMENSIONS		DRWN: PKH		2022/05/23					
		APPR: SCHIEN		2022/07/07					
THIRD ANGLE PROJECTION		DRAWING		SERIES		MATERIAL NUMBER		CUSTOMER	
D-SIZE		74750		SEE P/N TABLE					

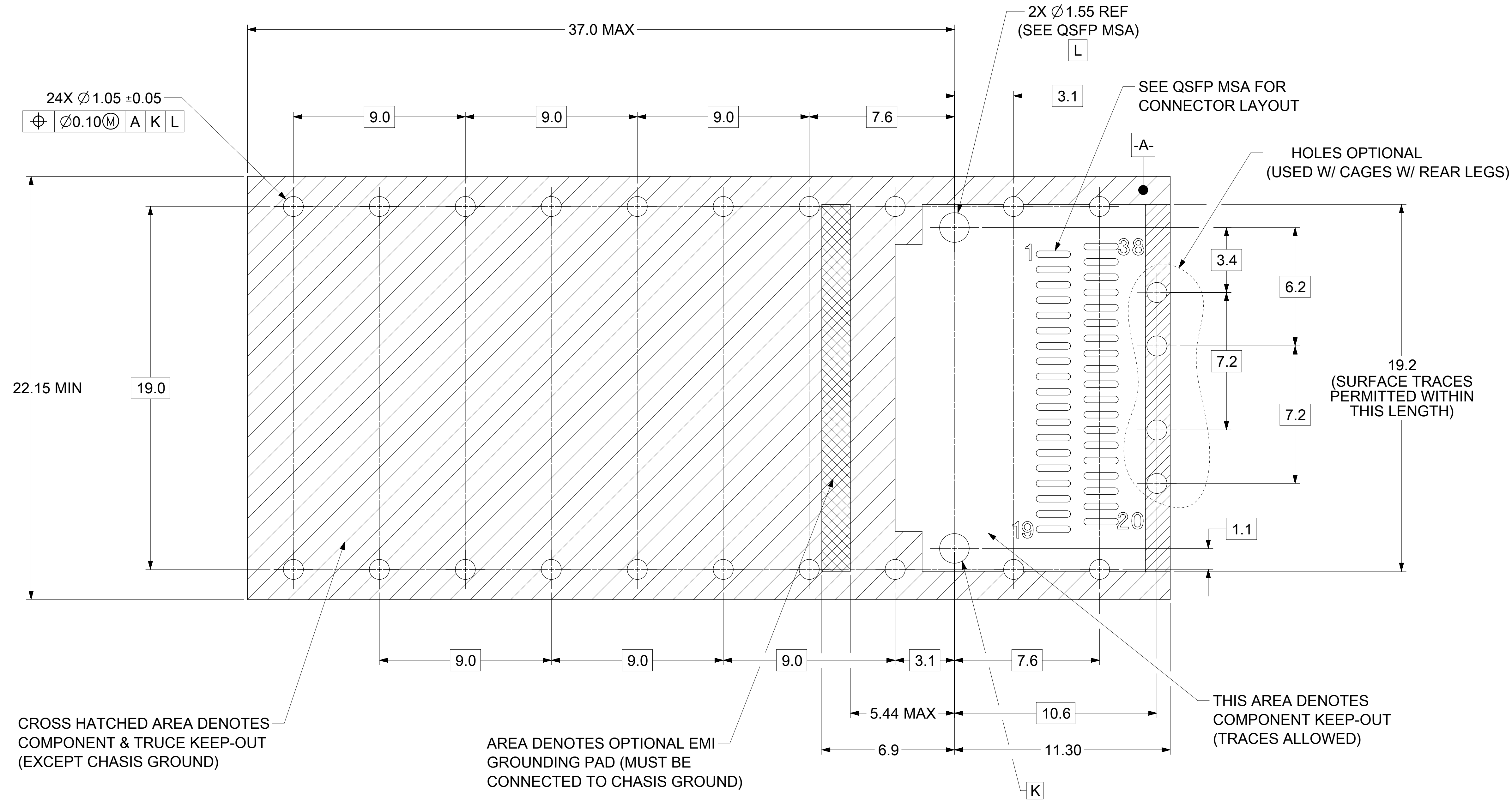
molex

QSFP+ 1X1 CAGE ASSEMBLY 2RL
W/ ELASTOMERIC GASKET, QUAD LP, SUS SPRING
FINGER & CUSTOM HS

PRODUCT CUSTOMER DRAWING

DOCUMENT NUMBER	DOC TYPE	DOC PART	REVISION
747503601	PSD	ASY	A

PCB LAYOUT FOR BELLY-TO-BELLY APPLICATIONS



NOTE:
FOR RECOMENDED CENTER
OF LIGHT PIPES,
SEE SHEET 4

CROSS HATCHED AREA DENOTES
COMPONENT & TRUCE KEEP-OUT
(EXCEPT CHASIS GROUND)

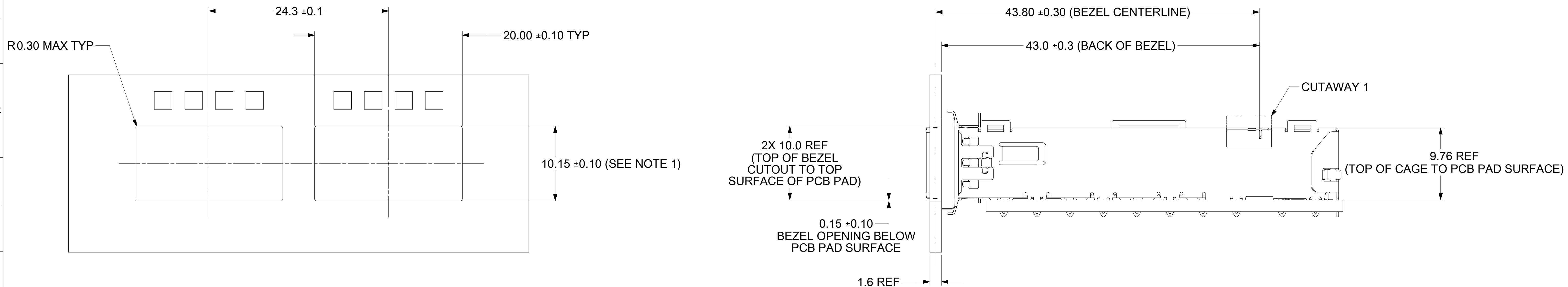
AREA DENOTES OPTIONAL EMI
GROUNDING PAD (MUST BE
CONNECTED TO CHASIS GROUND)

THIS AREA DENOTES
COMPONENT KEEP-OUT
(TRACES ALLOWED)

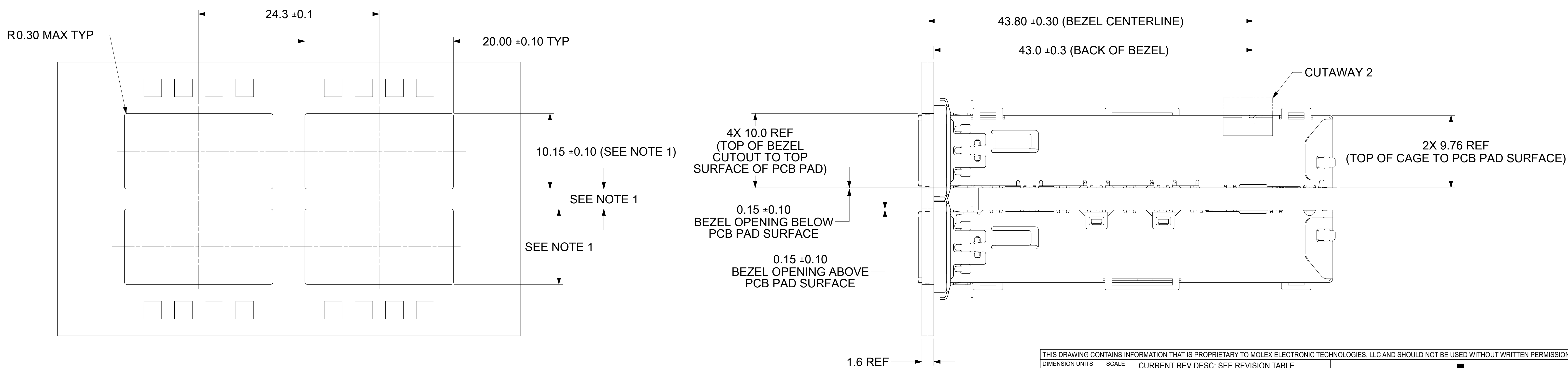
- NOTES:
- DATUM -A- IS TOP SURFACE OF HOST BOARD PER MSA
 - FINISHED HOLE SIZE (AFTER PLATING)
 - DATUM -K- IS HOST BOARD THRU HOLE #1 TO ACCEPT CONNECTOR GUIDE POST PER MSA
 - DATUM -L- IS HOST BOARD THRU HOLE #2 TO ACCEPT CONNECTOR GUIDE POST PER MSA
 - BELLY TO BELLY BOARD THICKNESS:
NOMINAL: 2.90mm
MINIMUM: 2.48mm

THIS DRAWING CONTAINS INFORMATION THAT IS PROPRIETARY TO MOLEX ELECTRONIC TECHNOLOGIES, LLC AND SHOULD NOT BE USED WITHOUT WRITTEN PERMISSION											
DIMENSION UNITS mm		SCALE 8:1		CURRENT REV DESC: SEE REVISION TABLE							
GENERAL TOLERANCES (UNLESS SPECIFIED)				EC NO: 712623 DRWN: PKH 2022/05/23 CHK'D: VISHNM2 2022/06/29 APPR: SCHIEN 2022/07/07 INITIAL REVISION: DRWN: PKH 2022/05/23 APPR: SCHIEN 2022/07/07							
ANGULAR TOL ± 1.0°											
4 PLACES ±											
3 PLACES ±											
2 PLACES ± 0.13											
1 PLACE ± 0.25				DOCUMENT NUMBER 747503601		DOC TYPE PSD		DOC PART ASY		REVISION A	
0 PLACES ±				DRAFT WHERE APPLICABLE MUST REMAIN WITHIN DIMENSIONS		THIRD ANGLE PROJECTION 		DRAWING D-SIZE		SERIES 74750	
MATERIAL NUMBER SEE P/N TABLE				CUSTOMER				SHEET NUMBER 5 OF 8			

BEZEL AND BOARD POSITION DIMENSIONS FOR SINGLE SIDE MOUNTING



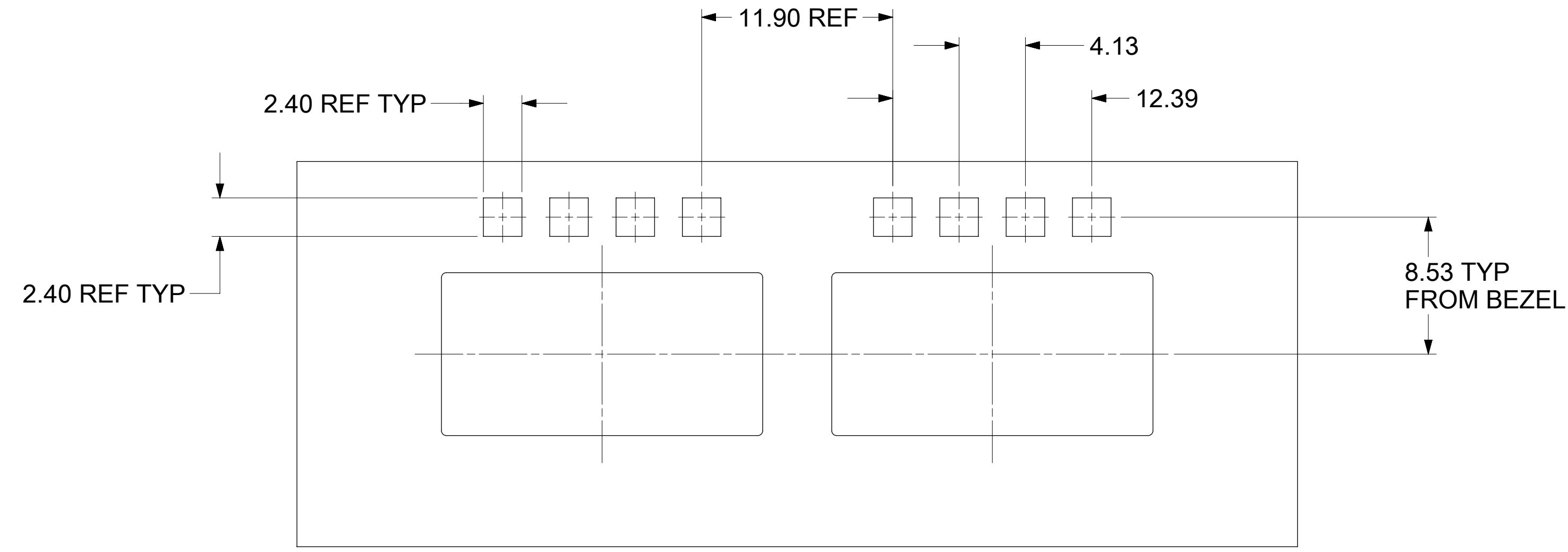
BEZEL AND BOARD POSITION DIMENSIONS FOR BELLY TO BELLY MOUNTING



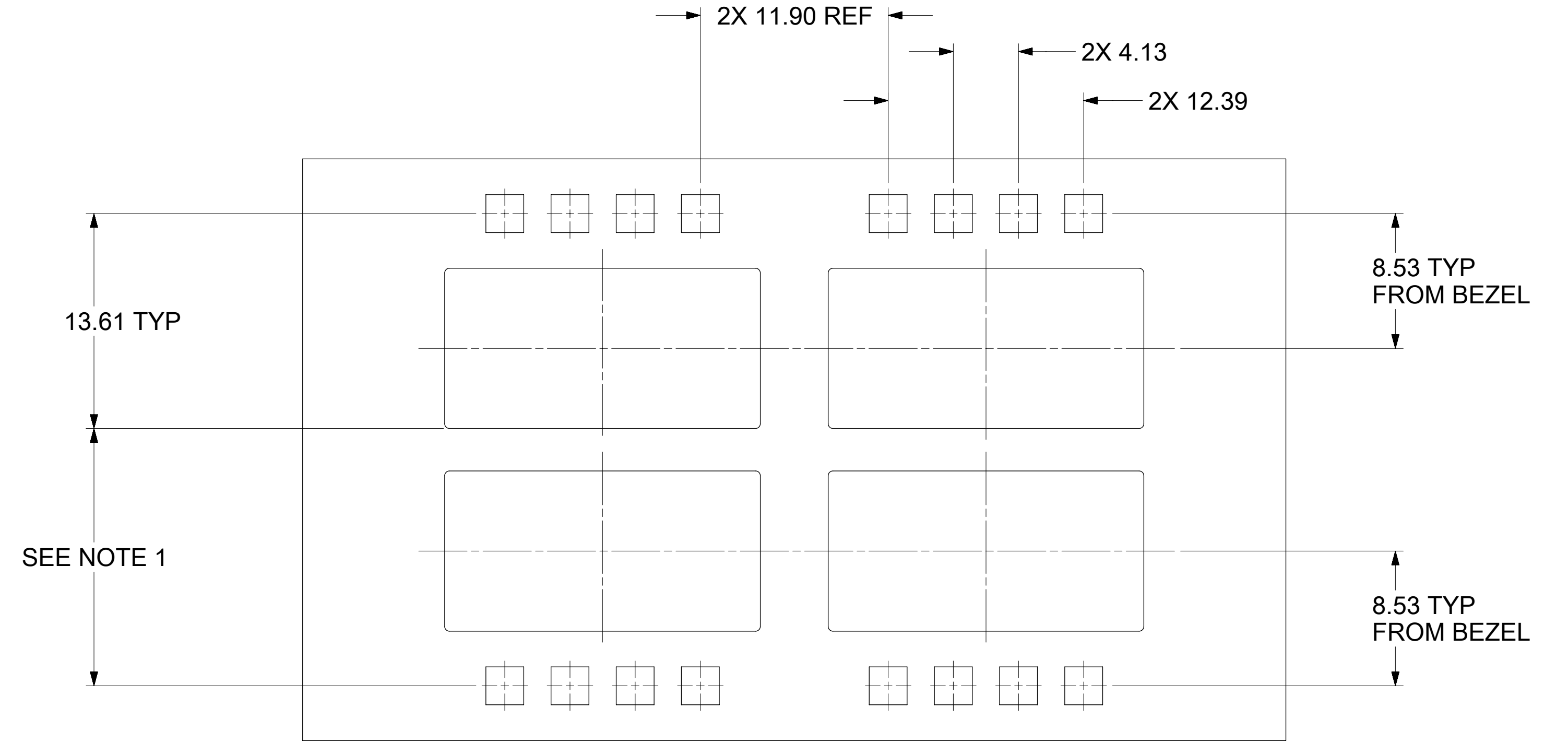
NOTE:
1. PCB THICKNESS VARIATION MUST BE CONSIDERED WHEN DETERMINING
BEZEL OPENING, SIZE, AND LOCATION.

THIS DRAWING CONTAINS INFORMATION THAT IS PROPRIETARY TO MOLEX ELECTRONIC TECHNOLOGIES, LLC AND SHOULD NOT BE USED WITHOUT WRITTEN PERMISSION																	
DIMENSION UNITS	SCALE	CURRENT REV DESC: SEE REVISION TABLE															
mm	4:1	<table style="width: 100%; border: none;"> <tr> <td style="width: 50%; font-size: 8px;"> EC NO: 712623 DRWN: PKH CHK'D: VISHNM2 APPR: SCHIEN </td> <td style="width: 50%; font-size: 8px; text-align: right;"> 2022/05/23 2022/06/29 2022/07/07 </td> </tr> <tr> <td colspan="2" style="font-size: 8px;">INITIAL REVISION:</td> </tr> <tr> <td style="font-size: 8px;">DRWN: PKH</td> <td style="font-size: 8px; text-align: right;">2022/05/23</td> </tr> <tr> <td style="font-size: 8px;">APPR: SCHIEN</td> <td style="font-size: 8px; text-align: right;">2022/07/07</td> </tr> </table>								EC NO: 712623 DRWN: PKH CHK'D: VISHNM2 APPR: SCHIEN	2022/05/23 2022/06/29 2022/07/07	INITIAL REVISION:		DRWN: PKH	2022/05/23	APPR: SCHIEN	2022/07/07
EC NO: 712623 DRWN: PKH CHK'D: VISHNM2 APPR: SCHIEN	2022/05/23 2022/06/29 2022/07/07																
INITIAL REVISION:																	
DRWN: PKH	2022/05/23																
APPR: SCHIEN	2022/07/07																
GENERAL TOLERANCES (UNLESS SPECIFIED)																	
ANGULAR TOL	± 1.0°																
4 PLACES	±																
3 PLACES	±																
2 PLACES	± 0.13																
1 PLACE	± 0.25																
0 PLACES	±																
DRAFT WHERE APPLICABLE MUST REMAIN WITHIN DIMENSIONS	THIRD ANGLE PROJECTION	DRAWING	SERIES	MATERIAL NUMBER	CUSTOMER	DOCUMENT NUMBER	DOC TYPE	DOC PART	REVISION								
D-SIZE	74750	SEE P/N TABLE	SEE P/N TABLE	747503601	PSD	ASY	A										
						SHEET NUMBER	6 OF 8										

BEZEL LIGHT PIPE CUTOUT POSITION DIMENSIONS FOR SINGLE SIDE MOUNTING



BEZEL LIGHT PIPE CUTOUT POSITION DIMENSIONS FOR BELLY-TO-BELLY MOUNTING



NOTE:
1. PCB THICKNESS VARIATION MUST BE CONSIDERED WHEN DETERMINING BEZEL OPENING, SIZE, AND LOCATION.

THIS DRAWING CONTAINS INFORMATION THAT IS PROPRIETARY TO MOLEX ELECTRONIC TECHNOLOGIES, LLC AND SHOULD NOT BE USED WITHOUT WRITTEN PERMISSION												
DIMENSION UNITS		SCALE		CURRENT REV DESC: SEE REVISION TABLE								
mm		4:1										
GENERAL TOLERANCES (UNLESS SPECIFIED)				EC NO: 712623								
ANGULAR TOL ± 1.0°				DRWN: PKH		2022/05/23		QSFP+ 1X1 CAGE ASSEMBLY 2RL W/ ELASTOMERIC GASKET, QUAD LP, SUS SPRING FINGER & CUSTOM HS				
4 PLACES ±				CHK'D: VISHNM2		2022/06/29		PRODUCT CUSTOMER DRAWING				
3 PLACES ±				APPR: SCHIEN		2022/07/07		DOCUMENT NUMBER				
2 PLACES ± 0.13				INITIAL REVISION:		2022/07/07		747503601		DOC TYPE	DOC PART	REVISION
1 PLACE ± 0.25				DRWN: PKH		2022/05/23		PSD		ASY	A	
0 PLACES ±				APPR: SCHIEN		2022/07/07		SEE P/N TABLE		SHEET NUMBER		
DRAFT WHERE APPLICABLE MUST REMAIN WITHIN DIMENSIONS				THIRD ANGLE PROJECTION		DRAWING		SERIES		CUSTOMER		
						D-SIZE		74750		7 OF 8		

