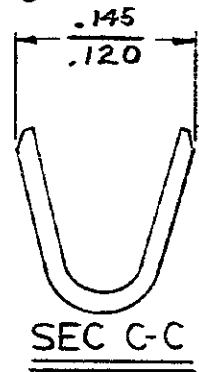
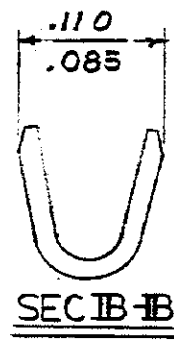
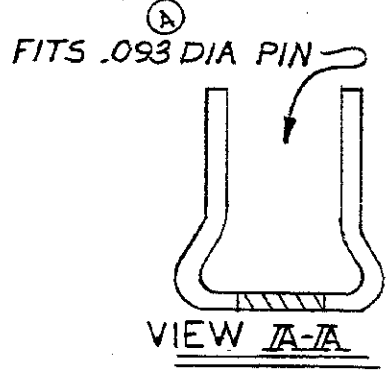
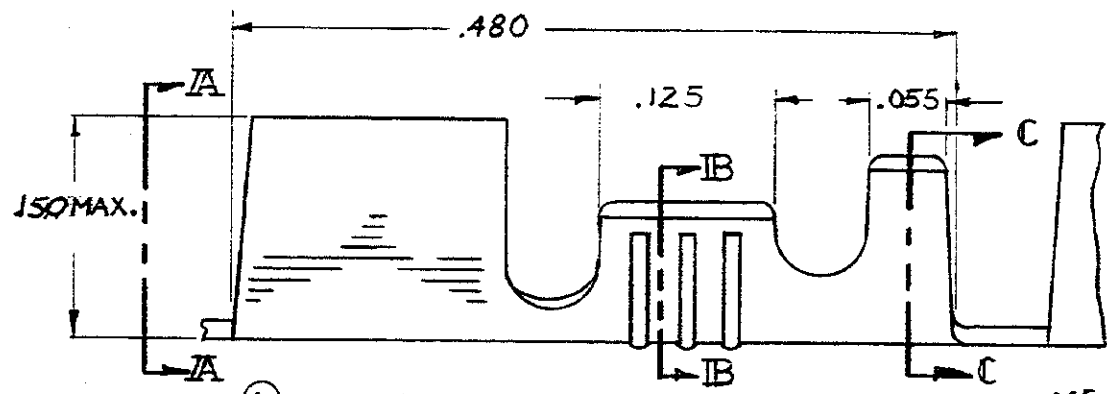
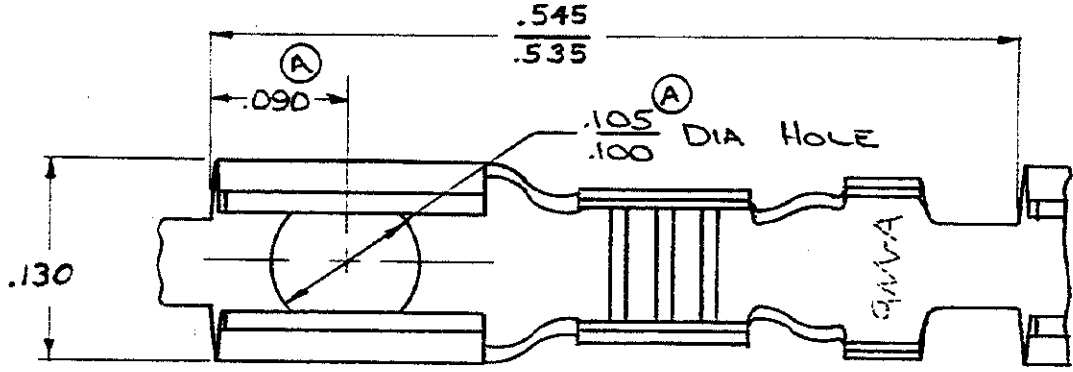


NUMBER  
60884



CR-50226

DIMENSIONS IN INCHES. DO NOT SCALE PRINT.

PART NUMBER	MATERIAL - FINISH
<del>60884-1</del>	<del>.012 BRASS - NONE</del>
<del>60884-2</del>	<del>.012 PH BRONZE - PRE-TIN</del>
60884-3	.012 BRASS - TIN

OBSOLETE

©1965 BY AMP INCORPORATED, ALL RIGHTS RESERVED. AMP PRODUCTS COVERED BY PATENTS AND/OR PATENTS PENDING.

**CUSTOMER COPY REFERENCE ONLY**

MATERIAL AND FINISH



H2	REVISED PER ECR-21-119150	MK	EW	12NOV 2021
H1	REVISED PER ECR-21-101841	SS	EW	14APR 2021
LTR	REVISION RECORD	DR	CHK	DATE
DR	L. KENSINGER 6/7/65	DE		
APP	H. J. DELL 6-14-65			

WIRE - RANGE - INSULATION		TYPE	
22-18 1.100 MAX		CWP	
TOLERANCE EXCEPT AS NOTED	SCALE	LOC	NO
± .005	± 1" or 4-1	AF A	60884
NAME			REV
PIN RECEPTACLE			H2