



Reversing contactor assembly AC-3, 15 kW/400 V, AC110V, 50/60Hz 3-pole, Size S0 Spring-type terminal electrical and mechanical Interlock 2 NO integrated

<b>product brand name</b>	SIRIUS
<b>product designation</b>	Reversing contactor assembly
<b>product type designation</b>	3RA23
<b>manufacturer's article number</b>	
1 of the supplied contactor	<a href="#">3RT2027-2AG20</a>
2 of the supplied contactor	<a href="#">3RT2027-2AG20</a>
of the supplied RH assembly kit	<a href="#">3RA2923-2AA2</a>
<b>General technical data</b>	
<b>size of contactor</b>	S0
product extension auxiliary switch	Yes
<b>shock resistance at rectangular impulse</b>	
at AC	8,3g / 5 ms, 5,3g / 10 ms
at DC	10g / 5 ms, 7,5g / 10 ms
<b>shock resistance with sine pulse</b>	
at AC	13,5g / 5 ms, 8,3g / 10 ms
at DC	15g / 5 ms, 10g / 10 ms
<b>mechanical service life (switching cycles)</b>	
of contactor typical	10 000 000
of the contactor with added auxiliary switch block typical	10 000 000
<b>reference code according to IEC 81346-2</b>	Q
<b>Substance Prohibitance (Date)</b>	10/01/2009
<b>Ambient conditions</b>	
installation altitude at height above sea level maximum	2 000 m
<b>ambient temperature</b>	
during operation	-25 ... +60 °C
during storage	-55 ... +80 °C
<b>Main circuit</b>	
<b>number of poles for main current circuit</b>	3
<b>number of NO contacts for main contacts</b>	3
<b>number of NC contacts for main contacts</b>	0
operating voltage at AC-3 rated value maximum	690 V
operational current at AC-3	
at 400 V rated value	32 A
at 500 V rated value	32 A
at 690 V rated value	21 A
<b>operating power</b>	
at AC-3	
— at 400 V rated value	15 kW

— at 500 V rated value	15 kW
— at 690 V rated value	18.5 kW
at AC-4 at 400 V rated value	11 kW
operating frequency at AC-3 maximum	750 1/h

#### Control circuit/ Control

<b>type of voltage of the control supply voltage</b>	AC
<b>control supply voltage 1 at AC</b>	
at 50 Hz rated value	110 V
at 60 Hz rated value	110 V
<b>operating range factor control supply voltage rated value of magnet coil at AC</b>	
at 50 Hz	0.8 ... 1.1
at 60 Hz	0.8 ... 1.1
<b>apparent pick-up power of magnet coil at AC</b>	
at 50 Hz	77 VA
<b>inductive power factor with closing power of the coil</b>	
at 50 Hz	0.82
<b>apparent holding power of magnet coil at AC</b>	
at 50 Hz	9.8 VA
<b>inductive power factor with the holding power of the coil</b>	
at 50 Hz	0.27

#### Auxiliary circuit

number of NO contacts for auxiliary contacts	
per direction of rotation	1
instantaneous contact	2
<b>contact reliability of auxiliary contacts</b>	< 1 error per 100 million operating cycles

#### UL/CSA ratings

<b>full-load current (FLA) for 3-phase AC motor</b>	
at 480 V rated value	27 A
at 600 V rated value	27 A
yielded mechanical performance [hp] for 3-phase AC motor	
at 220/230 V rated value	10 hp
at 460/480 V rated value	20 hp
at 575/600 V rated value	25 hp
<b>contact rating of auxiliary contacts according to UL</b>	A600 / Q600

#### Short-circuit protection

<b>design of the fuse link</b>	
for short-circuit protection of the main circuit	
— with type of coordination 1 required	gG NH 3NA, DIAZED 5SB, NEOZED 5SE: 125 A
— with type of assignment 2 required	gG NH 3NA, DIAZED 5SB, NEOZED 5SE: 50 A
for short-circuit protection of the auxiliary switch required	fuse gG: 10 A

#### Installation/ mounting/ dimensions

<b>mounting position</b>	+/-180° rotation possible on vertical mounting surface; can be tilted forward and backward by +/- 22.5° on vertical mounting surface
<b>fastening method</b>	screw and snap-on mounting onto 35 mm standard mounting rail
<b>height</b>	114 mm
<b>width</b>	90 mm
<b>depth</b>	97 mm
<b>required spacing</b>	
with side-by-side mounting	
— forwards	6 mm
— backwards	0 mm
— upwards	6 mm
— downwards	6 mm
— at the side	6 mm
for grounded parts	
— forwards	6 mm
— backwards	0 mm

— upwards	6 mm
— at the side	6 mm
— downwards	6 mm
for live parts	
— forwards	6 mm
— backwards	0 mm
— upwards	6 mm
— downwards	6 mm
— at the side	6 mm

### Connections/ Terminals

<b>type of electrical connection</b>	
for main current circuit	spring-loaded terminals
for auxiliary and control circuit	spring-loaded terminals
at contactor for auxiliary contacts	Spring-type terminals
of magnet coil	Spring-type terminals
<b>type of connectable conductor cross-sections</b>	
for main contacts	
— solid	2x (1 ... 10 mm <sup>2</sup> )
— solid or stranded	2x (1 ... 10 mm <sup>2</sup> )
— finely stranded with core end processing	2x (1 ... 6 mm <sup>2</sup> )
— finely stranded without core end processing	2x (1 ... 6 mm <sup>2</sup> )
at AWG cables for main contacts	1x (18 ... 8)
<b>type of connectable conductor cross-sections</b>	
for auxiliary contacts	
— solid or stranded	2x (0.5 ... 2.5 mm <sup>2</sup> )
— finely stranded with core end processing	2x (0.5 ... 1.5 mm <sup>2</sup> )
— finely stranded without core end processing	2x (0.5 ... 1.5 mm <sup>2</sup> )
at AWG cables for auxiliary contacts	2x (20 ... 14)

### Safety related data

B10 value with high demand rate according to SN 31920	1 000 000
<b>proportion of dangerous failures</b>	
with low demand rate according to SN 31920	40 %
with high demand rate according to SN 31920	75 %
failure rate [FIT] with low demand rate according to SN 31920	100 FIT
T1 value for proof test interval or service life according to IEC 61508	20 y
<b>protection class IP on the front according to IEC 60529</b>	IP20
<b>touch protection on the front according to IEC 60529</b>	finger-safe, for vertical contact from the front

### Communication/ Protocol

<b>product function bus communication</b>	Yes
protocol is supported AS-Interface protocol	No
product function control circuit interface with IO link	No

### Certificates/ approvals

<b>General Product Approval</b>	<b>Declaration of Conformity</b>
---------------------------------	----------------------------------



[Confirmation](#)



### Test Certificates

### Marine / Shipping

[Special Test Certificate](#)




[Confirmation](#)
[Vibration and Shock](#)

#### Further information

Information- and Downloadcenter (Catalogs, Brochures,...)

<https://www.siemens.com/ic10>

Industry Mall (Online ordering system)

<https://mall.industry.siemens.com/mall/en/en/Catalog/product?mlfb=3RA2327-8XB30-2AG2>

Cax online generator

<http://support.automation.siemens.com/WW/CAXorder/default.aspx?lang=en&mlfb=3RA2327-8XB30-2AG2>

Service&Support (Manuals, Certificates, Characteristics, FAQs,...)

<https://support.industry.siemens.com/cs/ww/en/ps/3RA2327-8XB30-2AG2>

Image database (product images, 2D dimension drawings, 3D models, device circuit diagrams, EPLAN macros, ...)

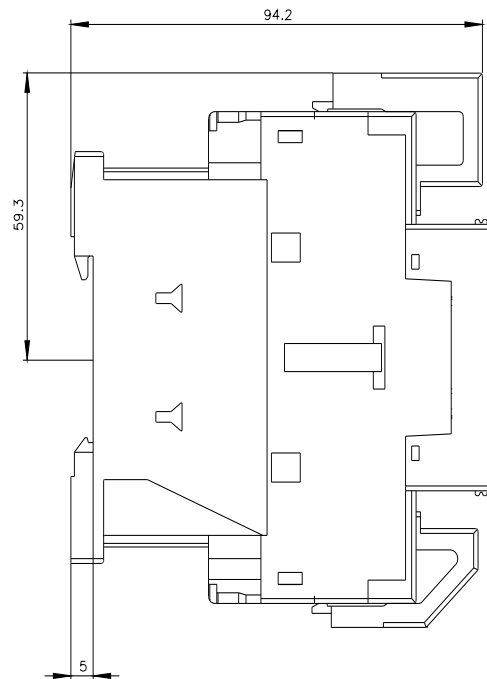
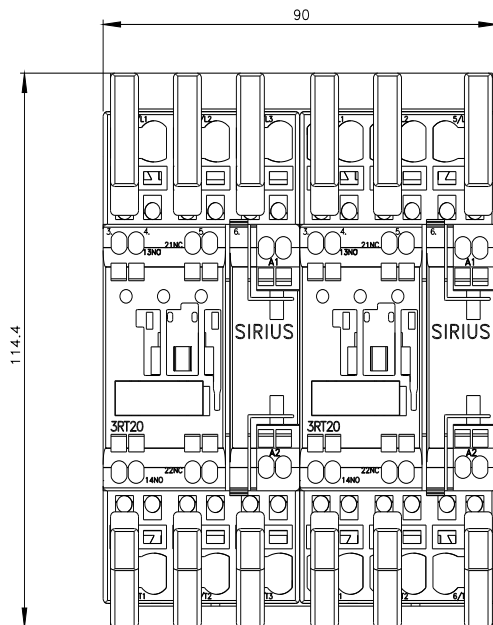
[http://www.automation.siemens.com/bilddb/cax\\_de.aspx?mlfb=3RA2327-8XB30-2AG2&lang=en](http://www.automation.siemens.com/bilddb/cax_de.aspx?mlfb=3RA2327-8XB30-2AG2&lang=en)

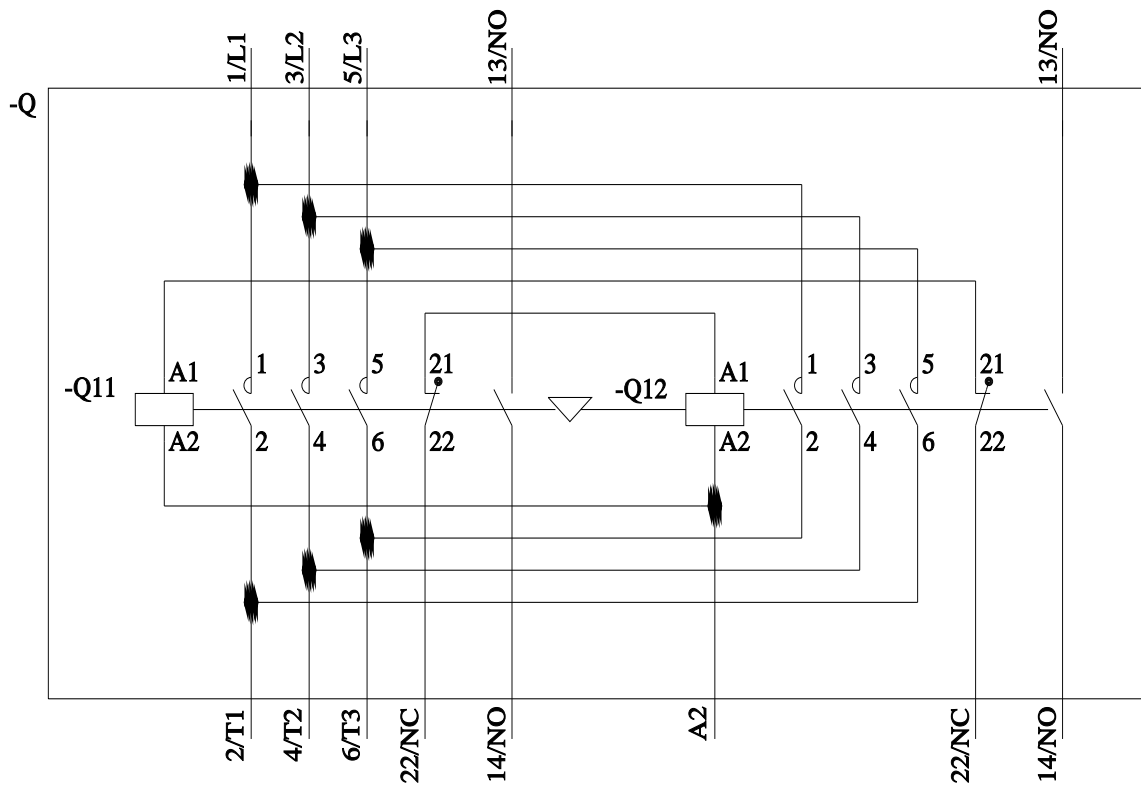
Characteristic: Tripping characteristics, I<sup>t</sup>, Let-through current

<https://support.industry.siemens.com/cs/ww/en/ps/3RA2327-8XB30-2AG2/char>

Further characteristics (e.g. electrical endurance, switching frequency)

<http://www.automation.siemens.com/bilddb/index.aspx?view=Search&mlfb=3RA2327-8XB30-2AG2&objecttype=14&gridview=view1>





last modified:

2/8/2022 