



**ANATECH ELECTRONICS INC**  
RF & Microwave Filters & Products

# 1975 MHz Cavity Bandpass Filter

**Part Number: AE1975B5134**



## Electrical Specifications

**Center Frequency:** 1975 MHz  
**Bandwidth:** 90 MHz  
**Insertion Loss:** <2dB  
**Return Loss:** >16dB @ 90 MHz  
**Rejection:** >65dB @ 0-1800 MHz  
**Rejection2:** >65dB @ 2100 MHz to 3100 MHz  
**Impedance:** 50 Ohms  
**Power Handling:** 1 Watt

## Mechanical

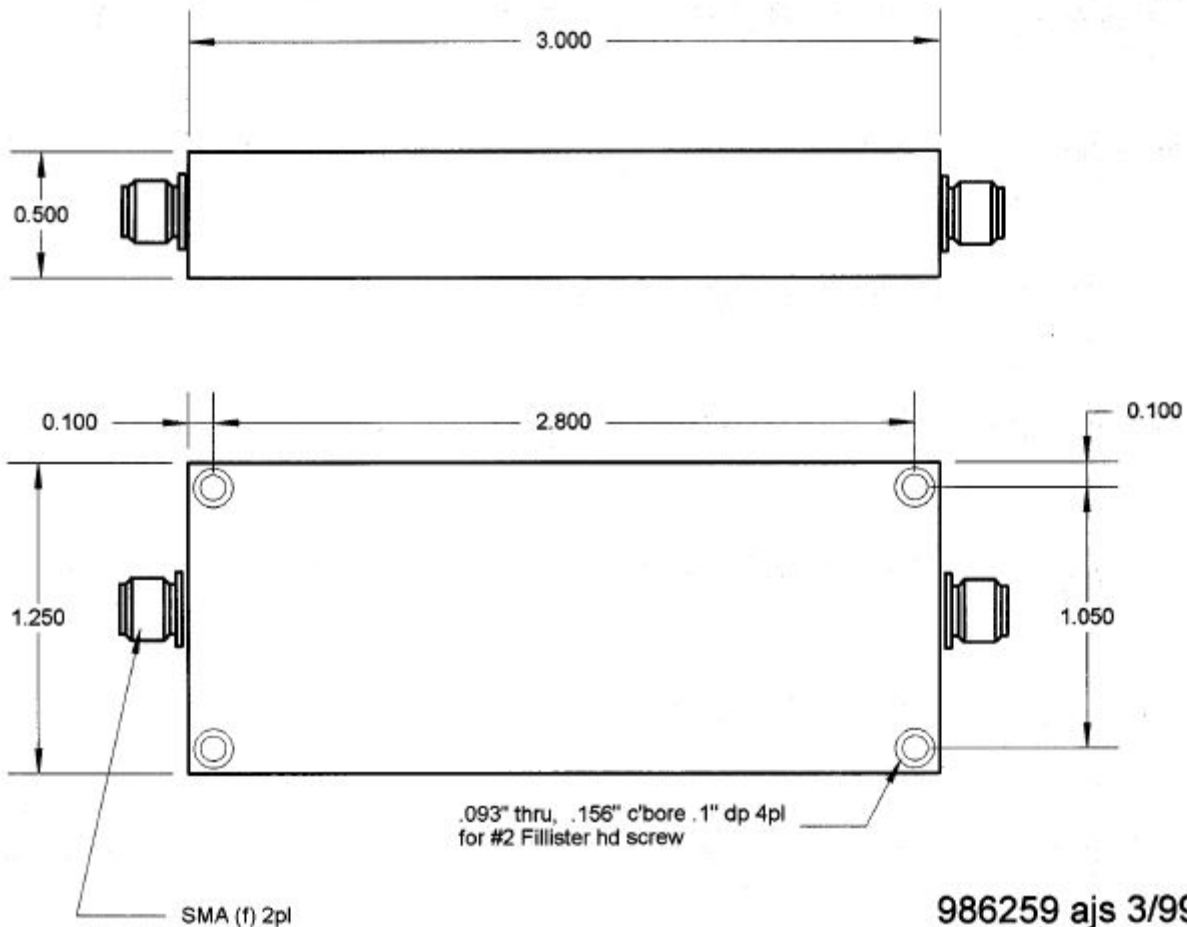
**Mounting Method:** Through Holes  
**Connector Type:** SMA(F)  
**Dimensions:** 3.0" x 1.25" x 0.5" in.

## Environmental

**Operating Temperature:** -25°C to +70°C  
**Storage Temperature:** -40°C to +90°C  
**Shock:** 20 G. 11ms  
**Vibration:** 20 G. 5 to 200Hz

## Outline Drawing:

rev A mtg hole chg





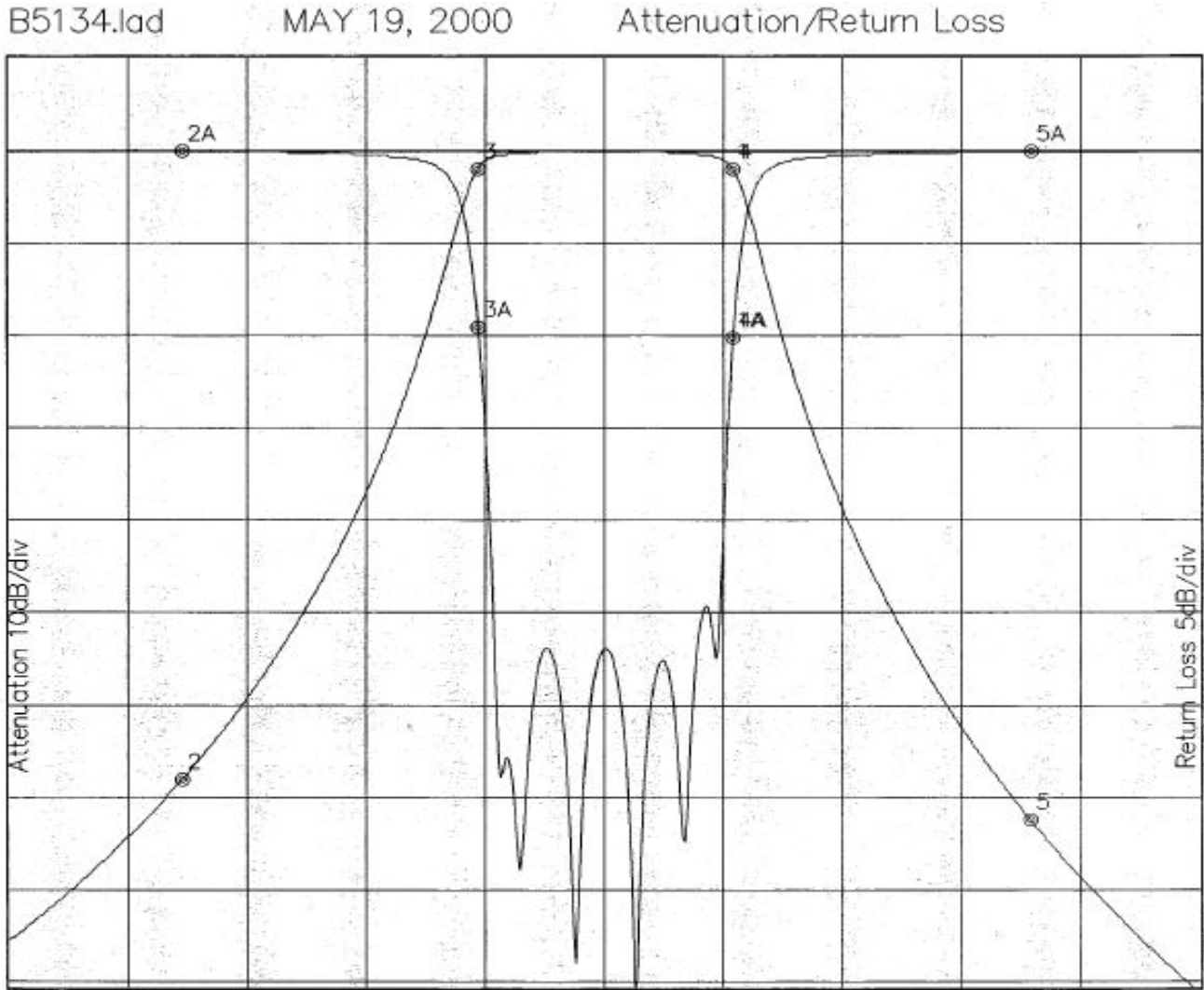
**ANATECH ELECTRONICS INC**  
RF & Microwave Filters & Products

# 1975 MHz Cavity Bandpass Filter

Part Number: AE1975B5134



## Response Plot:



Attenuation Start: 1.80GHz    Stop: 2.150GHz

Return Loss Start: 1.80GHz    Stop: 2.150GHz

Offset: -1.0869dB

- Marker 1 Freq 2.013GHz Atten -1.924dB
- Marker 2 Freq 1.850GHz Atten -68.033dB
- Marker 3 Freq 1.937GHz Atten -1.865dB
- Marker 4 Freq 2.013GHz Atten -1.924dB
- Marker 5 Freq 2.10GHz Atten -72.481dB

- Marker 1A Freq 2.013GHz Ret Loss -10.069dB
- Marker 2A Freq 1.850GHz Ret Loss 0.000dB
- Marker 3A Freq 1.937GHz Ret Loss -9.581dB
- Marker 4A Freq 2.013GHz Ret Loss -10.069dB
- Marker 5A Freq 2.10GHz Ret Loss 0.000dB