

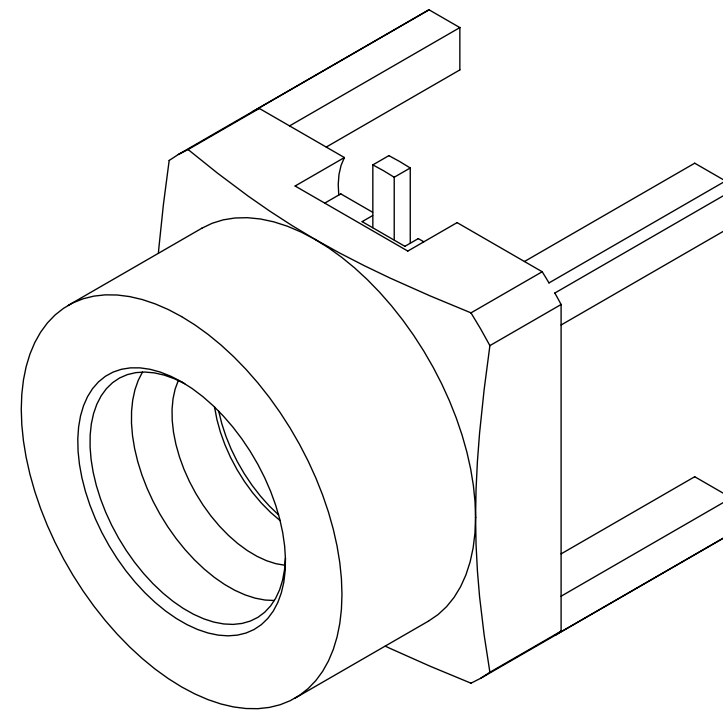
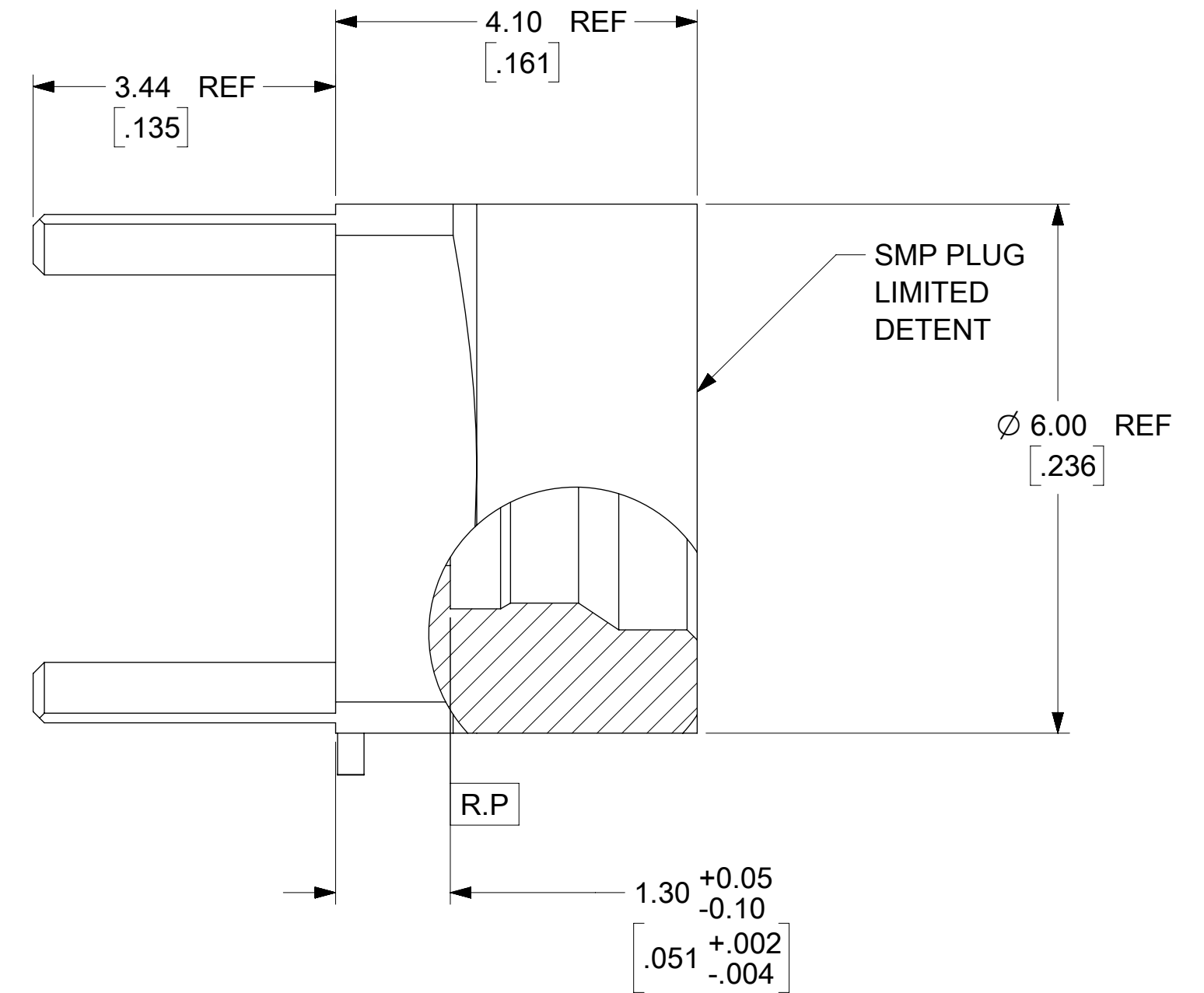
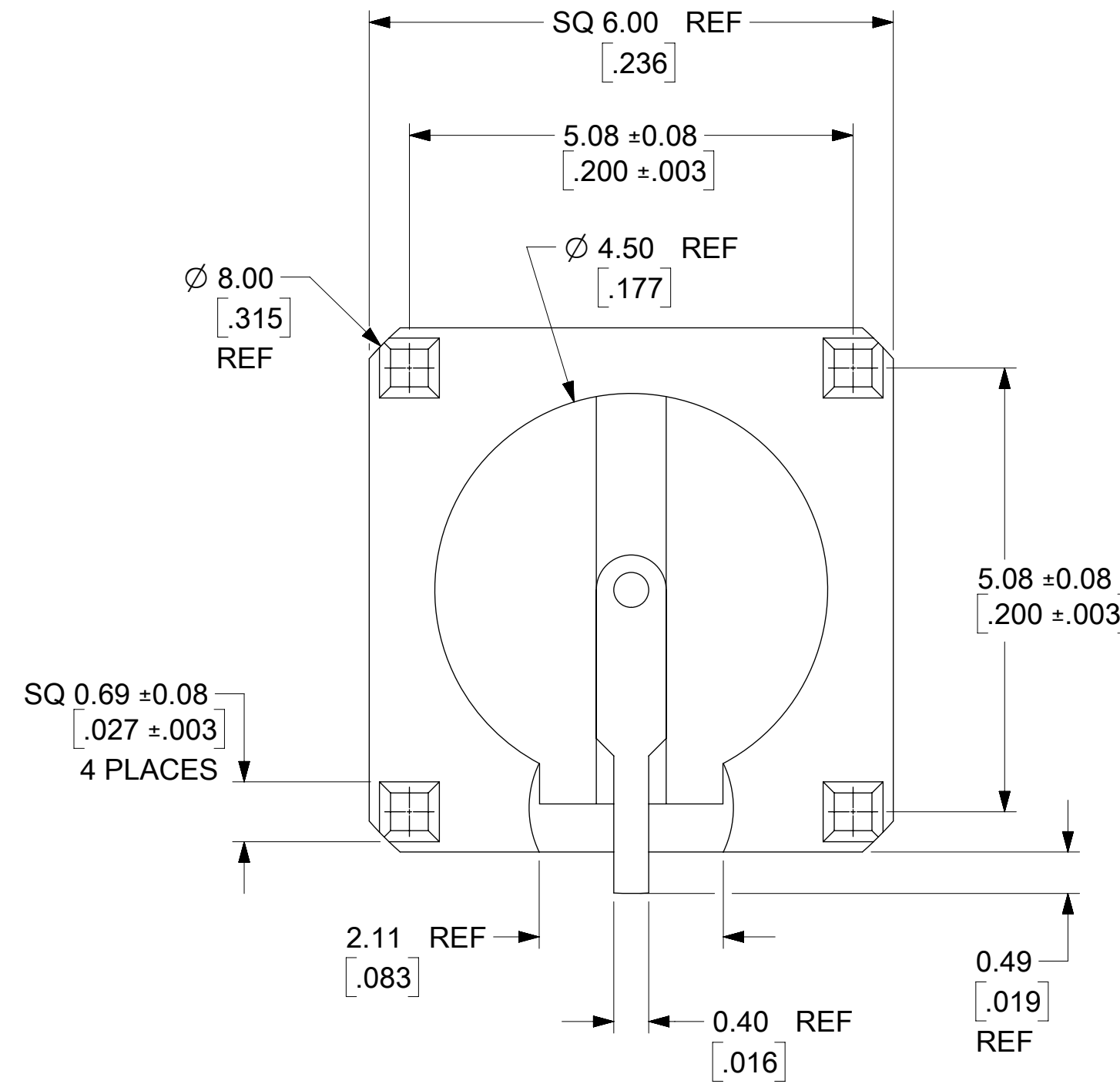
MATERIALS AND FINISHES:

BODY: BRASS  
 FINISH: GOLD (8μ-in MIN) OVER  
 NICKEL (80μ-in MIN)

CENTER CONTACT: BRASS  
 FINISH: GOLD (10μ-in MIN) OVER  
 NICKEL (100μ-in MIN)

INSULATOR: LCP

TAPE AND REEL: SEE SHEET 2



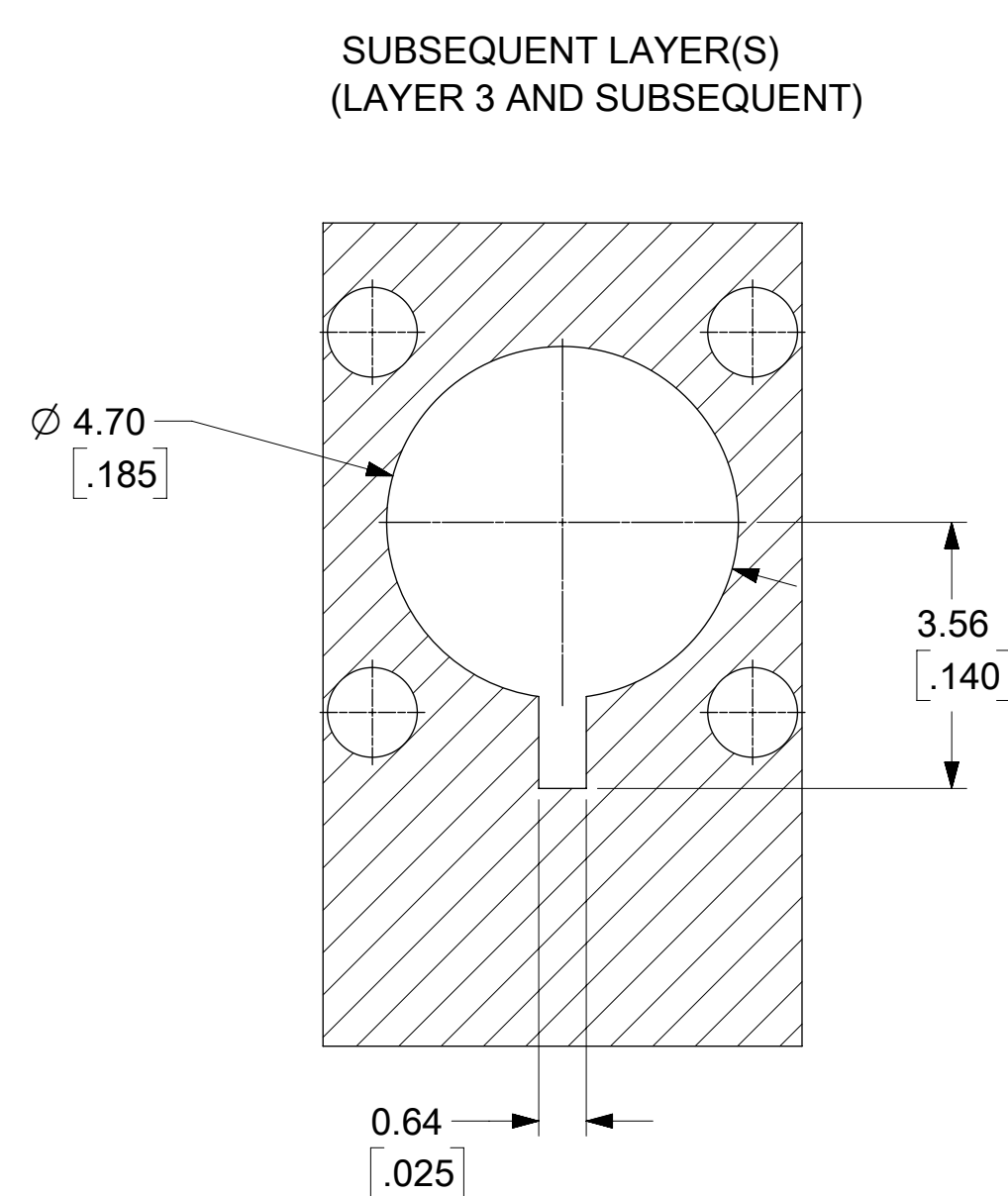
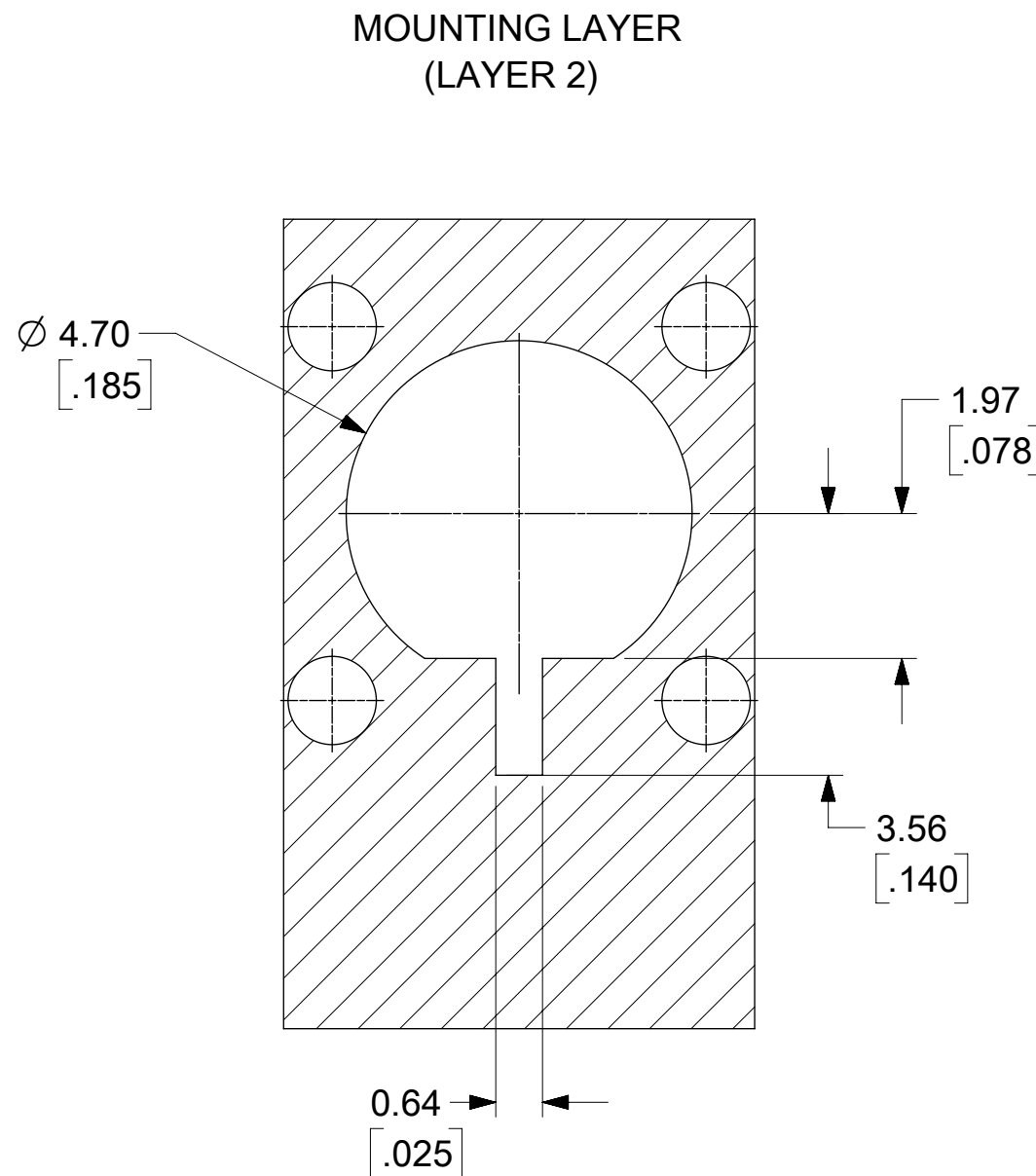
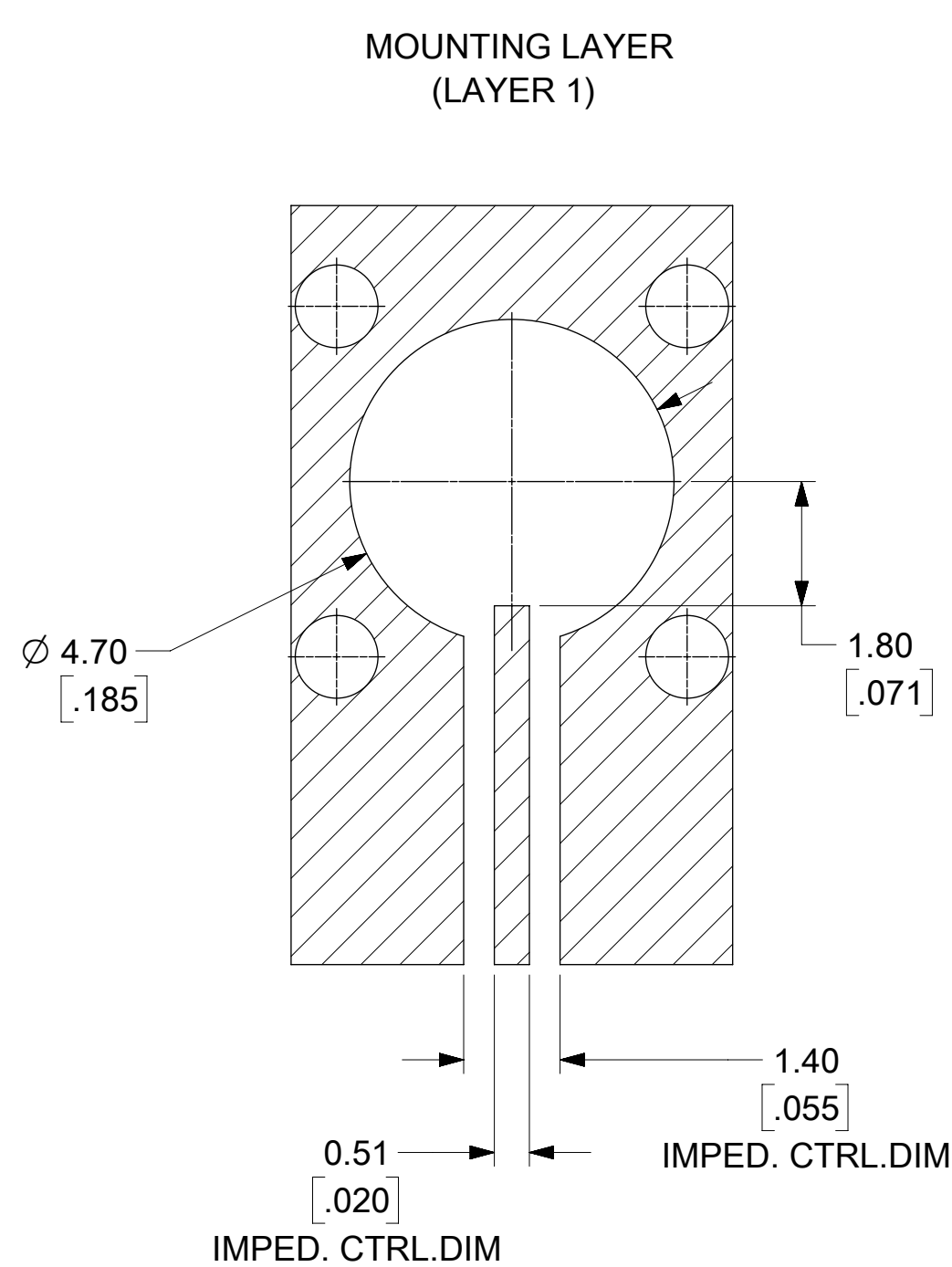
0734066241	TRAY PACK (0734066240)
0734066240	TAPE & REEL
PART NO.	PACKAGING DESCRIPTION

PS-89675-3320	PRODUCT SPECIFICATION
MIL-STD-348, FIG. 326.3	INTERFACE SMP LD
SPECIFICATION	DESCRIPTION
DOCUMENT STATUS	P1
RELEASE DATE	2022/02/04 20:20:31

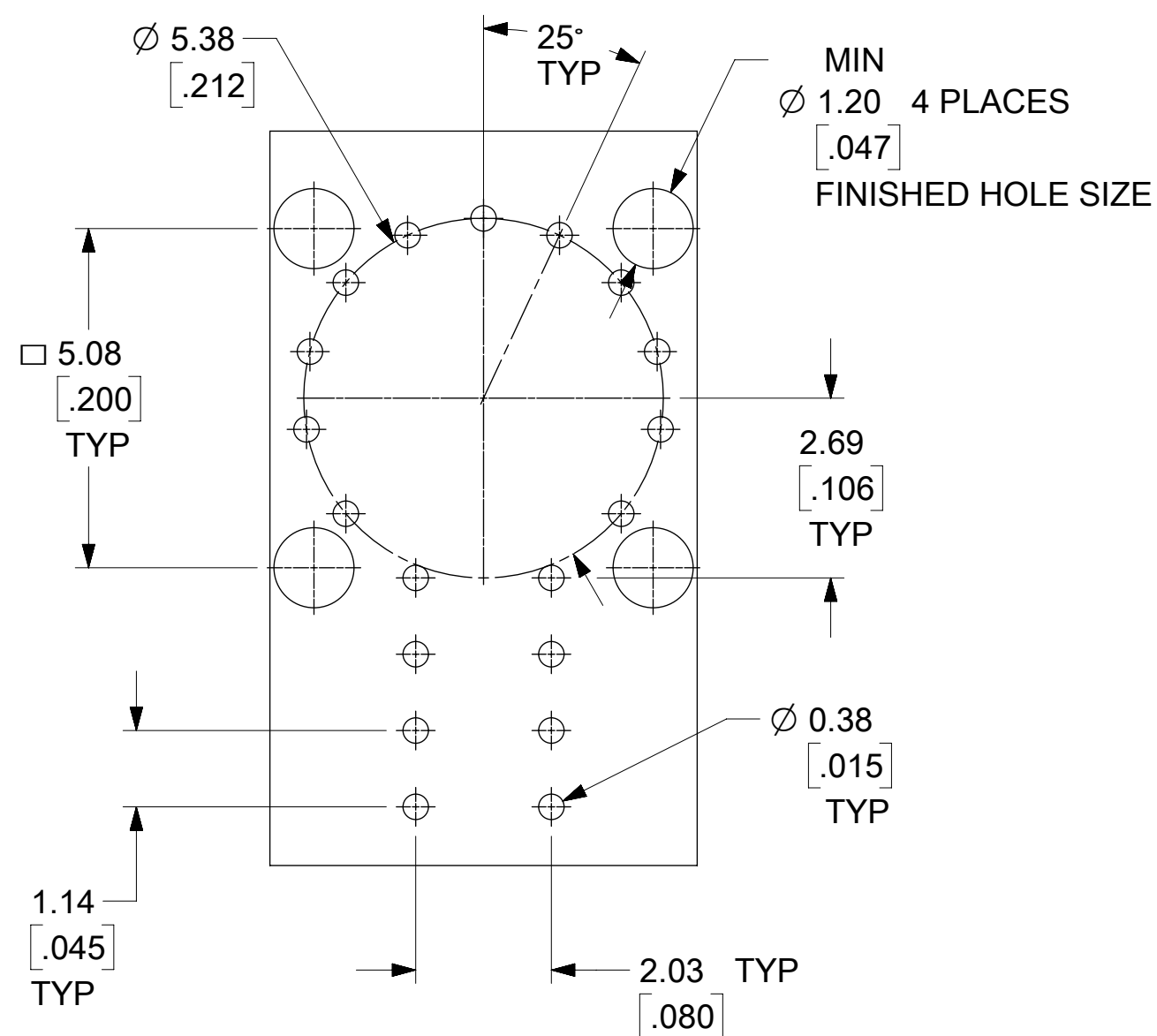
SYMBOLS	THIS DRAWING CONTAINS INFORMATION THAT IS PROPRIETARY TO MOLEX ELECTRONIC TECHNOLOGIES, LLC AND SHOULD NOT BE USED WITHOUT WRITTEN PERMISSION										
	DIMENSION UNITS		SCALE		CURRENT REV DESC:						
∇ = 0	MM/IN	NTS		EC NO: 694071 DRWN: BSHAH 2022/01/28 CHK'D: SSSHAH 2022/02/04 APPR: KTAGAN 2022/02/04						SMP PLUG STR PCB 50 ? LIMITED DETENT EWR-13303, SMP-P/PCB	
∇ = 0	GENERAL TOLERANCES (UNLESS SPECIFIED)										
∇ = 0		MM	INCH	DOCUMENT NUMBER: SD-73406-624 DOC TYPE: PSD DOC PART: 001 REVISION: A4							
S = 0	4 PLACES	±	±							MATERIAL NUMBER: SEE TABLE CUSTOMER:	
∇ = 0	3 PLACES	±	± 0.01								
∇ = 0	2 PLACES	± 0.25	±	THIRD ANGLE PROJECTION DRAWING: C-SIZE SERIES: 73406							
∇ = 0	1 PLACE	±	±								
∇ = 0	0 PLACES	±	±	DRAFT WHERE APPLICABLE MUST REMAIN WITHIN DIMENSIONS							
∇ = 0	ANGULAR TOL	± 2.0 °									

# PCB CONNECTOR LAUNCH / PAD (FOR REFERENCE ONLY)

ALL HATCHED SURFACES SHOWN BELOW ARE COPPER (Cu)



## VIAS AND PLATED MOUNTING HOLES



## PCB STACK UP

LAYER	MATERIAL	Dk	THICKNESS (mil)
1	Cu + PLATING		2.1
	RO4350	3.66	10
2	Cu		0.6
	RO4350	3.66	10
3*	Cu		0.6

\* SUBSEQUENT LAYERS MAY BE ADDED AS REQUIRED FOR INDIVIDUAL APPLICATIONS

## TYPICAL PERFORMANCE CHARACTERISTICS WITH CONNECTOR AND PCB LAUNCH SHOWN

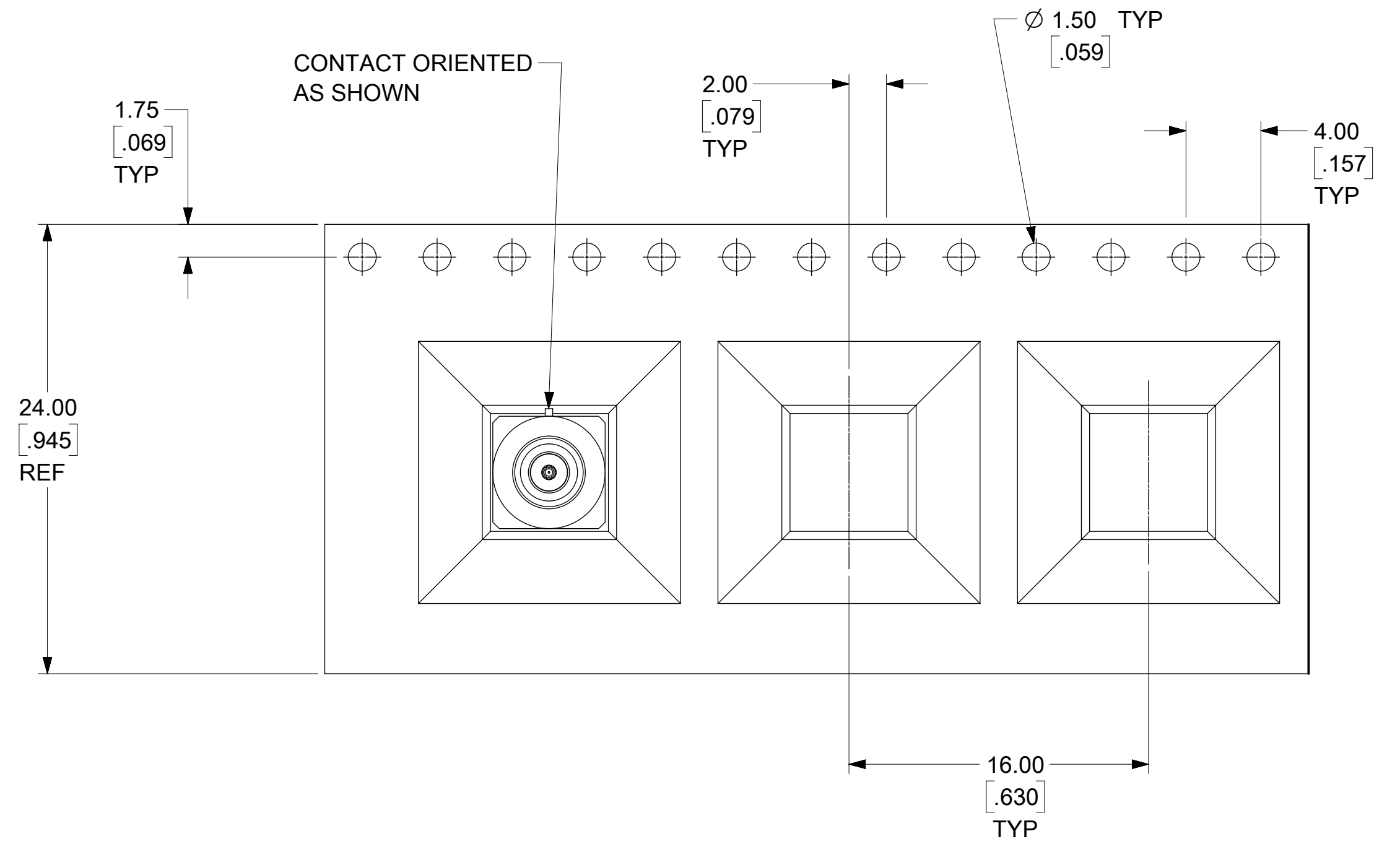
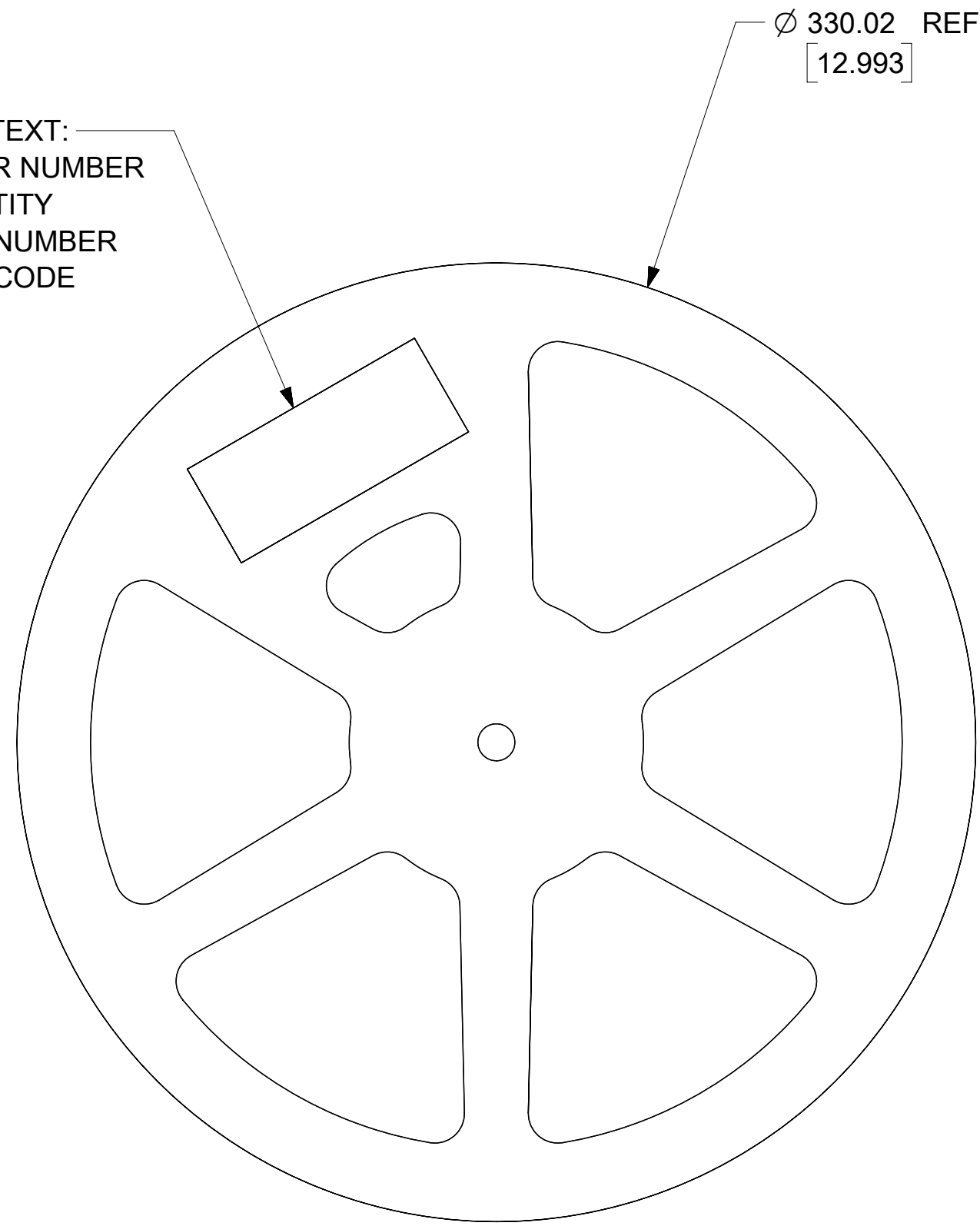
TYPICAL RETURN LOSS	FREQUENCY BAND
20dB	DC TO 15GHz
15dB	15 GHz TO 18GHz

VARYING PCB STACKUPS AND PCB LAUNCH WILL RESULT IN VARYING RESULTS

CONTACT MOLEX RF / MICROWAVE FOR APPLICATION SPECIFIC ASSISTANCE

<b>SYMBOLS</b> THIS DRAWING CONTAINS INFORMATION THAT IS PROPRIETARY TO MOLEX ELECTRONIC TECHNOLOGIES, LLC AND SHOULD NOT BE USED WITHOUT WRITTEN PERMISSION DIMENSION UNITS: MM/IN SCALE: NTS CURRENT REV DESC: EC NO: 694071 DRWN: BSHAH 2022/01/28 CHK'D: SSSHAH 2022/02/04 APPR: KTAGAN 2022/02/04 INITIAL REVISION: DRWN: SSHAH 2010/11/29 APPR: JWIENER 2010/12/16 ANGULAR TOL ± 2.0° DRAFT WHERE APPLICABLE MUST REMAIN WITHIN DIMENSIONS THIRD ANGLE PROJECTION DRAWING SERIES: C-SIZE 73406 MATERIAL NUMBER: SEE SHEET 1 CUSTOMER:	<b>molex</b> SMP PLUG STR PCB 50 ? LIMITED DETENT EWR-13303, SMP-P/PCB PRODUCT CUSTOMER DRAWING DOCUMENT NUMBER: SD-73406-624 DOC TYPE: PSD DOC PART: 001 REVISION: A4 SHEET NUMBER: 2 OF 3	
	DOCUMENT STATUS: P1 RELEASE DATE: 2022/02/04 20:20:31	

LABEL TEXT:  
 - ORDER NUMBER  
 - QUANTITY  
 - PART NUMBER  
 - DATE CODE



SYMBOLS	THIS DRAWING CONTAINS INFORMATION THAT IS PROPRIETARY TO MOLEX ELECTRONIC TECHNOLOGIES, LLC AND SHOULD NOT BE USED WITHOUT WRITTEN PERMISSION												
	DIMENSION UNITS		SCALE		CURRENT REV DESC:								
∇ = 0	MM/IN	NTS		EC NO: 694071 DRWN: BSHAH 2022/01/28 CHK'D: SSSHAH 2022/02/04 APPR: KTAGAN 2022/02/04						SMP PLUG STR PCB 50 ? LIMITED DETENT EWR-13303, SMP-P/PCB			
∇ = 0	GENERAL TOLERANCES (UNLESS SPECIFIED)												INITIAL REVISION: DRWN: SSHAH 2010/11/29 APPR: JWIENER 2010/12/16
∇ = 0		MM	INCH	DRAFT WHERE APPLICABLE MUST REMAIN WITHIN DIMENSIONS						MATERIAL NUMBER: SEE SHEET 1 CUSTOMER:			
∇ = 0	4 PLACES	±	±										THIRD ANGLE PROJECTION DRAWING: C-SIZE SERIES: 73406
∇ = 0	3 PLACES	±	± 0.01	DRAFT WHERE APPLICABLE MUST REMAIN WITHIN DIMENSIONS						SEE SHEET 1			
∇ = 0	2 PLACES	± 0.25	±										DRAFT WHERE APPLICABLE MUST REMAIN WITHIN DIMENSIONS
∇ = 0	1 PLACE	±	±	DRAFT WHERE APPLICABLE MUST REMAIN WITHIN DIMENSIONS						SEE SHEET 1			
∇ = 0	0 PLACES	±	±										DRAFT WHERE APPLICABLE MUST REMAIN WITHIN DIMENSIONS
∇ = 0	ANGULAR TOL	± 2.0 °		DRAFT WHERE APPLICABLE MUST REMAIN WITHIN DIMENSIONS						SEE SHEET 1			
∇ = 0													DRAFT WHERE APPLICABLE MUST REMAIN WITHIN DIMENSIONS

DOCUMENT STATUS	P1	RELEASE DATE	2022/02/04	20:20:31
-----------------	----	--------------	------------	----------