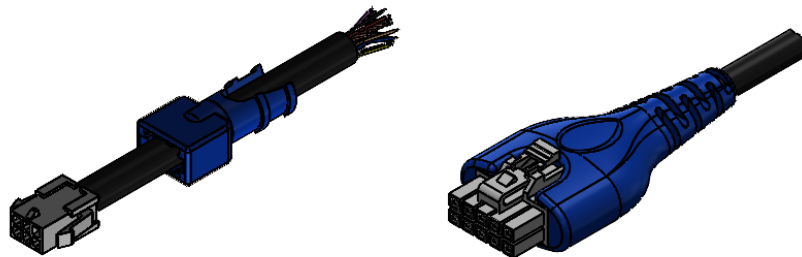
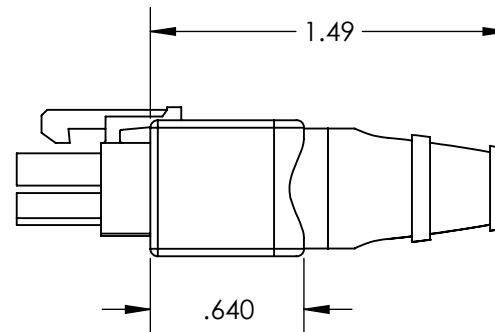
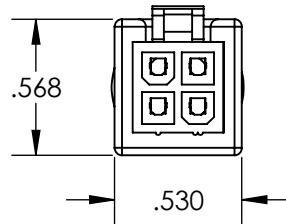
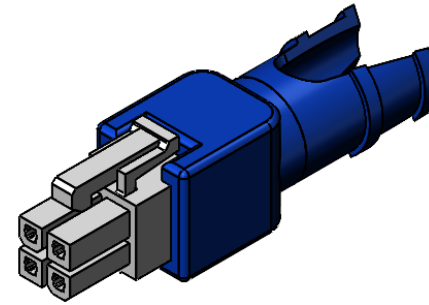
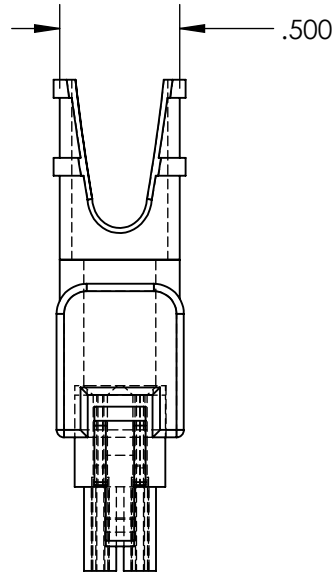


Notes:

1. Use With Molex Conn: 39-01-2045 (or similar)
2. Molded in Black (Other colors and materials available directly through ISC)
3. ISC can build and overmold your assembly as a Turnkey solution



Mold Material: PVC, M1472, Black, RoHS



	NAME	DATE
DRAWN	Duffield, Matt	2/12/2021
ENG APPR.		
Q.A.		

Interconnect Solutions Company
 4351 Schaefer Ave, Chino, CA 91710
 Ph: 909-203-1121
 Fax: 909-596-3335
 www.interconnectsolutions.com

DIMENSIONS ARE SUBJECT TO CHANGE

PROPRIETARY AND CONFIDENTIAL

THE INFORMATION CONTAINED IN THIS DRAWING IS THE SOLE PROPERTY OF INTERCONNECT SOLUTIONS COMPANY. ANY REPRODUCTION IN PART OR AS A WHOLE WITHOUT THE WRITTEN PERMISSION OF ISC IS PROHIBITED.

DIMENSIONS ARE IN INCHES

TOLERANCES:
 Two Decimal: $\pm .01$
 Three Decimal: $\pm .005$

FINISH

MATERIAL 50000214

USED ON

DO NOT SCALE DRAWING

VOLUME: 0.250 inch³

COMMENTS:

CONNECTOR P/N: Molex Mini-Fit Jr

CABLE SIZE - .100"-.400"

Description:
 Molex Mini-Fit Jr Boot
 4 Pos Dual-Row Rectpt
 Cables .100-.400"

SIZE Drawing No: REV.
A 14607484

SCALE: 5:4 SHEET 1 OF 1