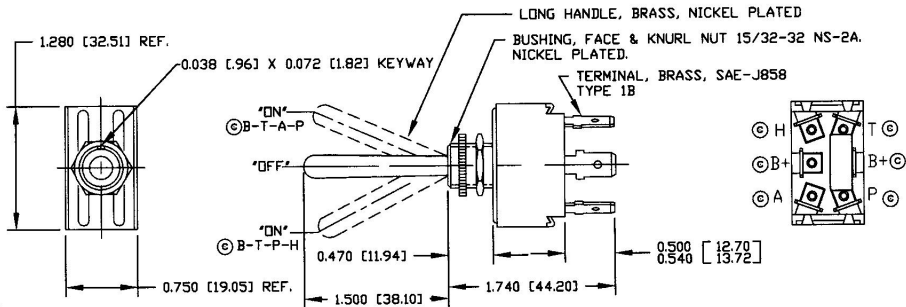


Revision Control Record

Rev.	Description of Change	ECN No.	Date
C	ADD POSITIONS NOTES	04299	08/13/04



- NOTES:**
- 25 AMPS, 12 VOLTS D.C., EXTRA HEAVY DUTY
 - SILVER CONTACT SURFACES
 - ALL DIMENSIONS ARE REFERENCE

Tolerances: Unless otherwise specifically noted, the following are default tolerances:

- * 2-place Decimal Dimensions $\pm .02"$
- * 3-place Decimal Dimensions $\pm .005"$
- * Angular Dimensions ± 1.8 Deg.
- * Metric: Refer to equivalent English Dimension Tolerance
- >>> NOTE: All tolerances are Non-Consultive. <<<

Dimensional Limits: All dimensions are expressed in inches except those shown in brackets (xxx) are expressed in millimeters

"REF." or an Asterisk (*) = Non-Tolerance Reference Dimension, shown for clarification purposes only.

PROPRIETARY INFORMATION: This Engineering Drawing, and the information contained herein, is proprietary to Cole Horse Company and may not be disclosed, re-produced, or in any other way transferred or communicated to any other party without the express written consent of an authorized representative of Cole Horse Company.

DESIGN CONTROL: It is the responsibility of the individual using/referencing this drawing to assure that the noted design revision level agrees with the revision level of the Controlled Document (Master Drawing). This is a NON-CONTROLLED DOCUMENT unless otherwise specifically noted.

DO NOT SCALE: Dimensional variation may occur during printing/reproduction.

Special Characteristics:

- Critical Characteristic, relating to safety and/or Regulatory Compliance
- Significant Characteristic relating to Process Control (SPC)
- Key Characteristic relating to Form - Fit - Function as defined by Cole Horse Company and/or the Customer

(Note that the Identification of any Characteristics as being "Special" does not alter the requirement that ALL specified dimensions & tolerances must be met.)



Cole Horse Co.
20 Old Colony Ave., South Boston, MA, 02127
Phn: 617-288-2100 Web: www.colehorse.com

Description: TOGGLE SWITCH
ON-OFF-ON, D.P.D.T.

Drawing / Part No.:

55064

Current Rev.

C

Used On or Ref: EX15335A Scale: 1:1

Drawn By: RW

Date: 05/04/70
Drawn:

Responsible Engineer:

Pg. 1 of 1