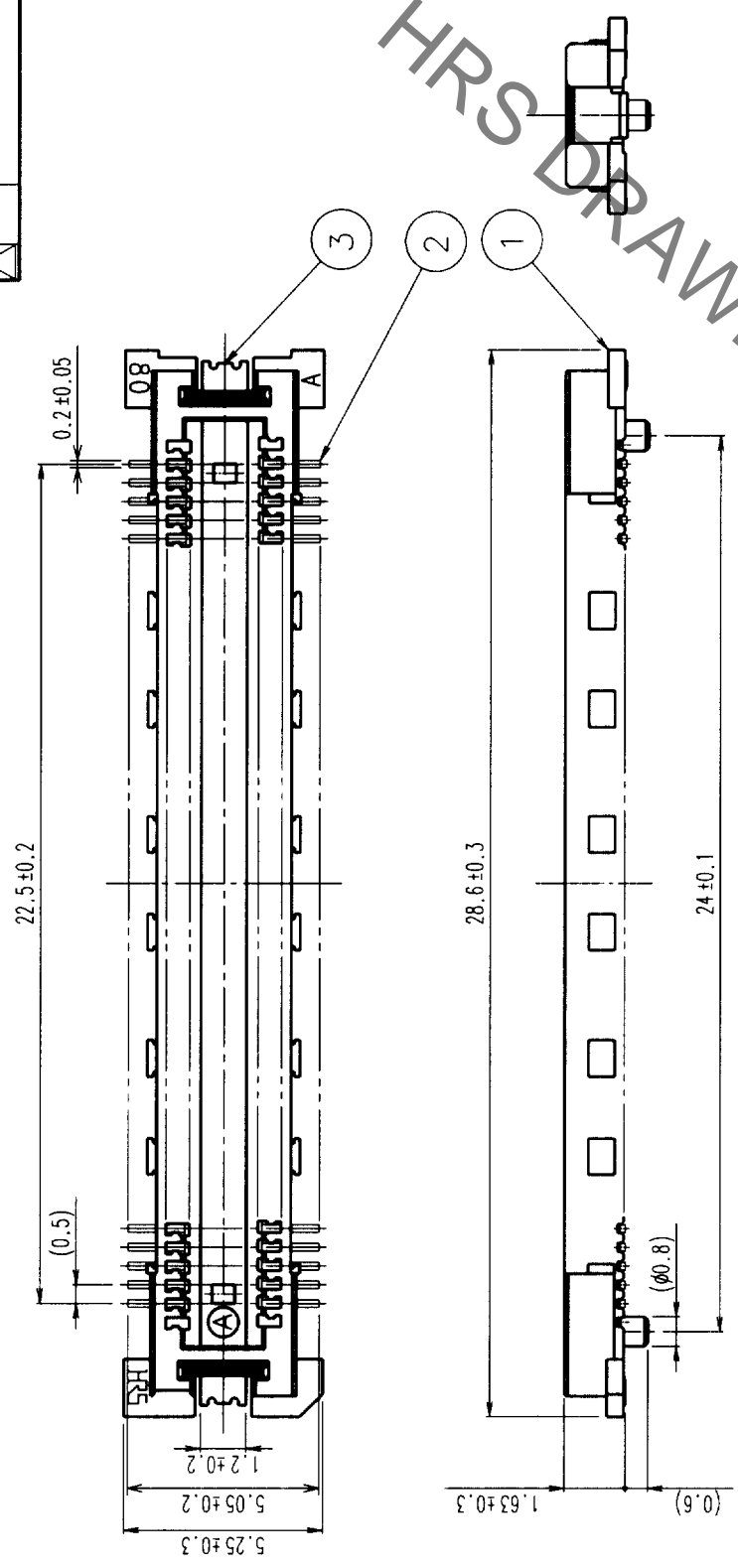
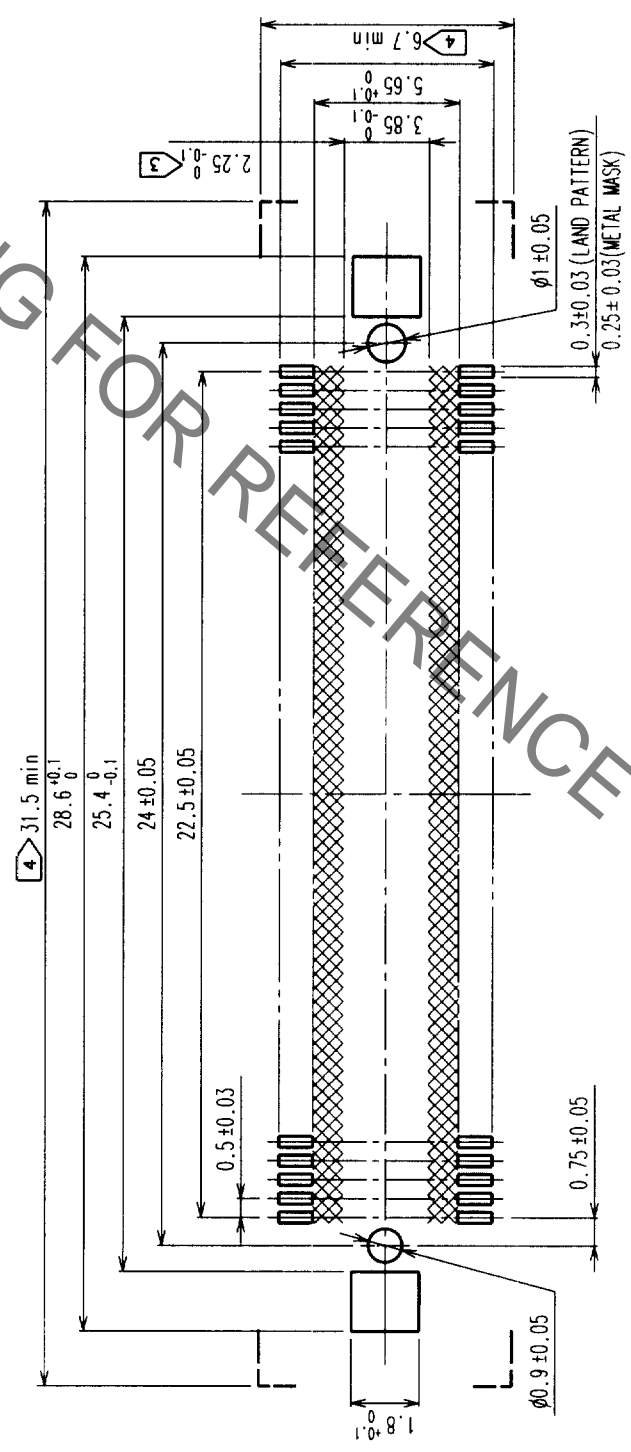


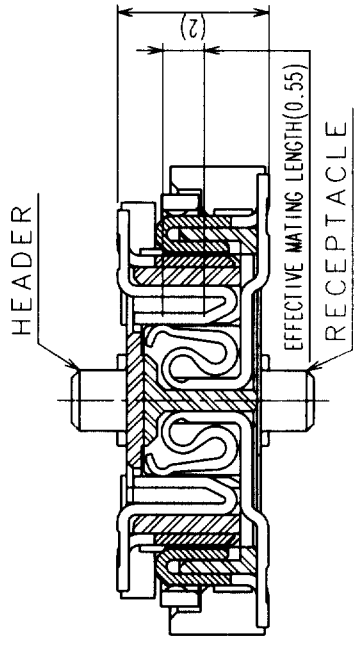
COUNT	DESCRIPTION OF REVISIONS	BY	CHKD	DATE	COUNT	DESCRIPTION OF REVISIONS	BY	CHKD	DATE
△					△				
△					△				
△					△				



RECOMMENDED LAND PATTERN DIMENSION OF PCB



SIGNAL PORTION CROSS SECTION (10:1)



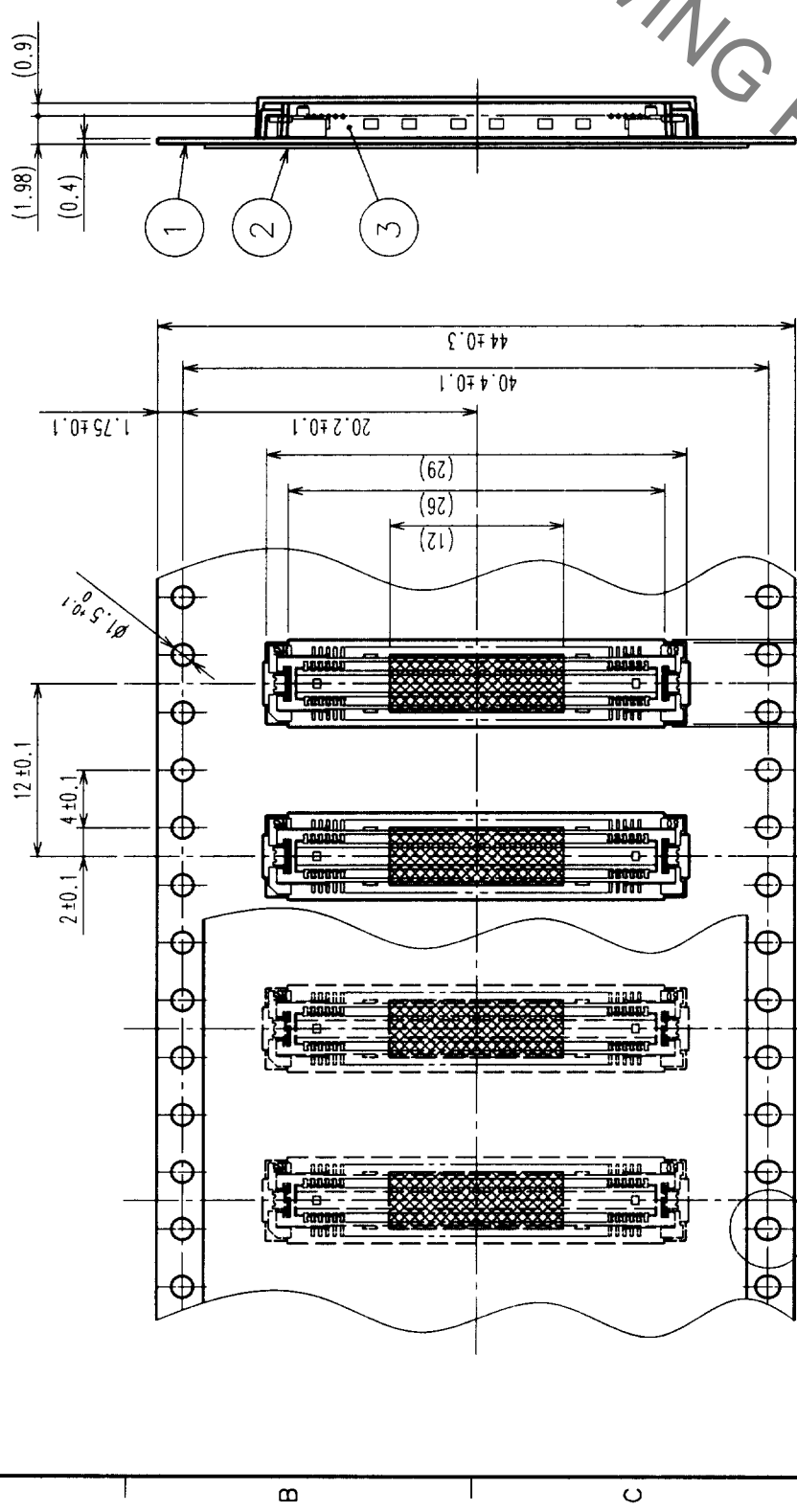
- NOTES
- SMT LEAD-COPLANARITY: 0.1 MAX.
  - THIS PRODUCT HAS NO POLARITY TO PATTERN FOR MOUNTING. MAKE SURE WIDTH OF PATTERN IS WITHIN THAT OF LAND, OR LEAD MAY TOUCH PATTERN. (THIS APPLIES TO HATCHED AREA.)
  - DO NOT MOUNT OTHER DEVICES ONTO [ ] AREA, OR MATING PAIR CANNOT BE MATED.
  - TO BE EMBOSSED CARRIER TAPED AS SPECIFIED IN SHEET 2.

2	COPPER ALLOY	CONTACT AREA: GOLD (0.1μm) OVER NICKEL LEAD: GOLD FLASH OVER NICKEL
1	LCP	BEIGE UL94V-0
NO.	MATERIAL	FINISH, REMARKS
3	PHOSPHOR BRONZE	TIN PLATED
NO.	MATERIAL	CHECKED
DESIGNED	APPROVED	RELEASED
DRAWN	79.10.27	79.10.28
CL	5 : 1	mm
DRAWING NO.	EDC3-152101-02	PART NO.
SCALE	5 : 1	FX11LA-92P-SV (22)
UNITS	mm	CODE NO.
		CL573-0043-4-22

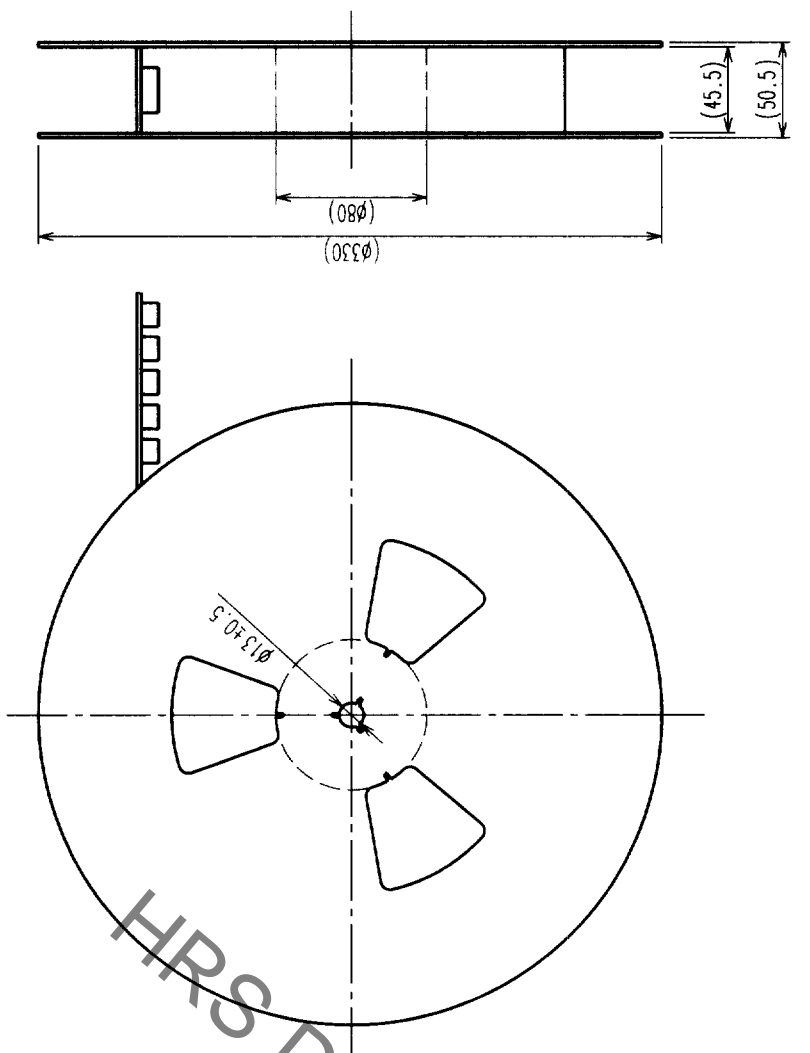
TO	
PCK	

1 2 3 4 5 6 7 8

COUNT	DESCRIPTION OF REVISIONS	BY	CHKD	DATE	COUNT	DESCRIPTION OF REVISIONS	BY	CHKD	DATE
△					△				
△					△				
△					△				



REELED DIMENSION (Free)



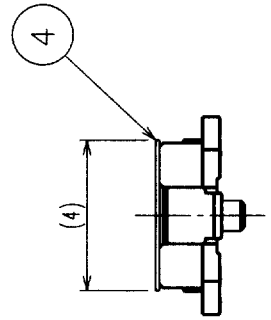
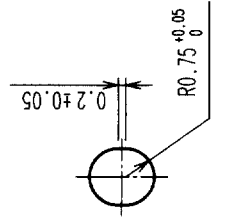
HRS DRAWING FOR REFERENCE

THE DIRECTION OF PULLING OUT →

- NOTES
- 1 REEL : 1000 CONNECTORS.
  - 2 MINIMUM 10 COMPARTMENTS FROM BOTH REEL ENDS REMAIN EMPTY.
  - 3 THIS PRODUCT HAS NO POLARITY TO TAPE AND REEL PACKAGING.

DETAIL FOR VACUUM PICKUP (5:1)

A (5:1)



2	PET	TOP COVER TAPE	4	POLYIMIDE	(TAPE FOR VACUUM PICKUP)
1	PS	EMBOSSED CARRIER TAPE	3	(CONNECTOR)	
NO.	MATERIAL	FINISH, REMARKS	NO.	MATERIAL	FINISH, REMARKS
CODE NO. (OLD) CL					
DRAWING FOR PACKING					
DRAWN <i>M. Saitoh</i>		DESIGNED <i>M. Saitoh</i>		CHECKED <i>M. Saitoh</i>	
APPROVED <i>T. Yamamoto</i>		APPROVED <i>T. Yamamoto</i>		RELEASED	
DATE 2023.10.28		DATE 2023.10.28		DATE 2023.10.28	
DRAWING NO. EDC3-152101-02		PART NO. FX11LA-92P-SV(22)			
SCALE 2:1		CODE NO. CL573-0043-4-22			
UNITS mm		HIROSE ELECTRIC CO., LTD			

TO	
PCK	

1 2 3 4 5 6 7 8