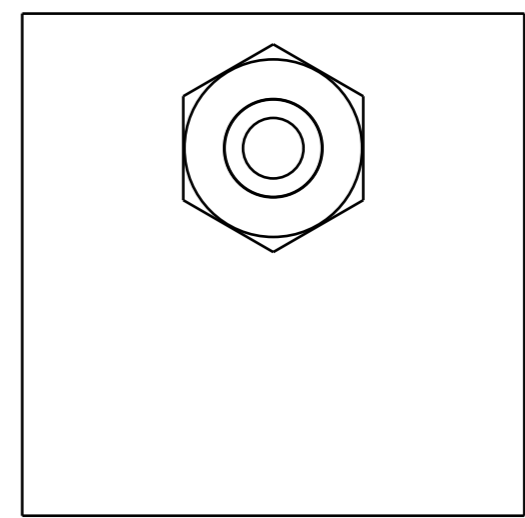
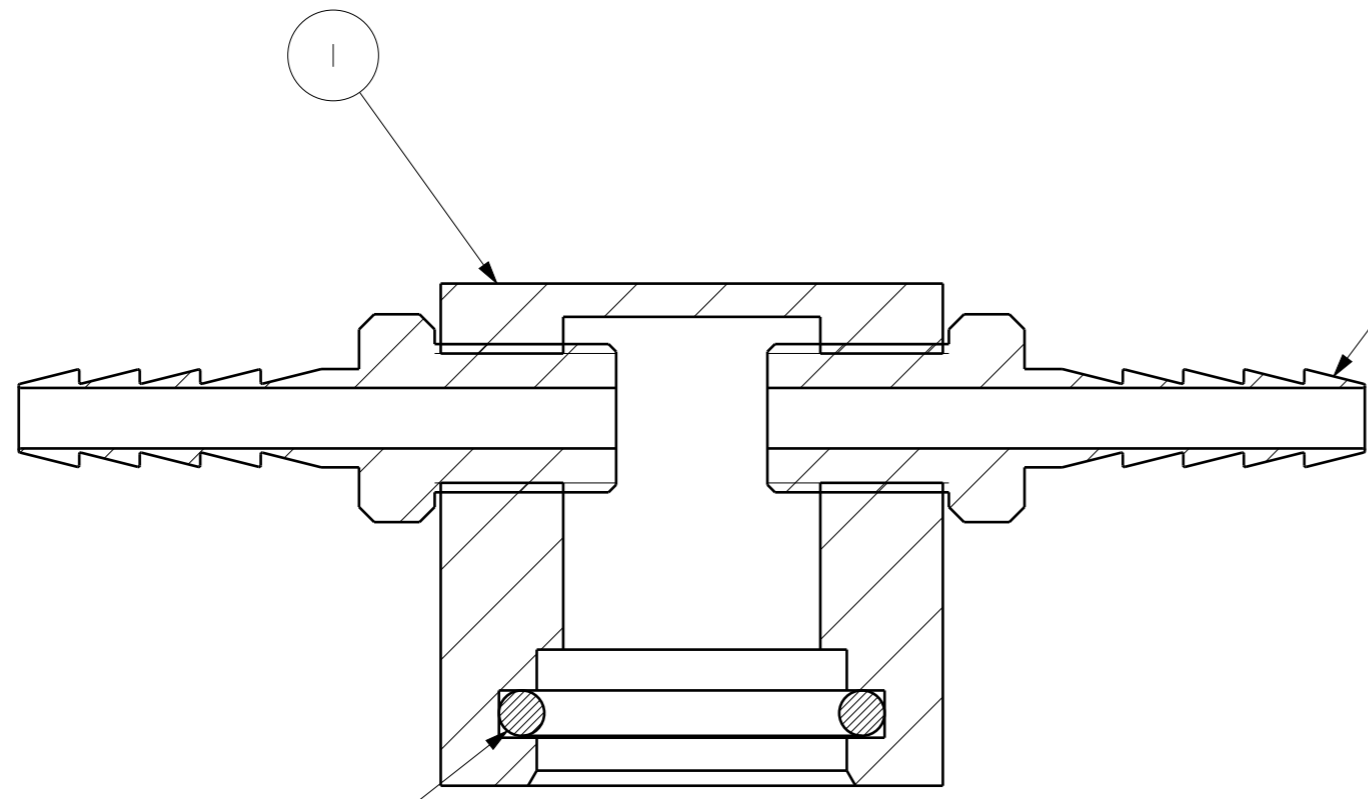


SCALE 1:1



REF.	PART NO.	DESCRIPTION	QTY.
1	JPP769637AA	MINISENSOR GAS CAP	1
2	M82286A	O-RING 19.50 ID x 3.00	1
3	M82360A	STAINLESS STEEL HOSE TAIL 1/8 BSPP	2

MATERIAL		SECURITY CLASSIFICATION		PROJECT SAFETY OFFICER (PSO)	
FINISH		e2v technologies (uk) ltd 106 Waterhouse Lane, Chelmsford Essex, CMI 2QU United Kingdom		Pro/ENGINEER	
MODELLED					
DRAWN		THIRD ANGLE PROJECTION	SCALE	TITLE	
CHECKED			2:1	ECVQ FLOW HOOD ASSEMBLY	
APPROVED				DOCUMENT IDENTITY	
GENERAL TOLERANCE UNLESS OTHERWISE STATED		MACHINED FINISH 16/ (BS:1134) UNLESS OTHERWISE STATED		JAS769638AA	
LINEAR ±		ANGULAR ±		VERSION 1 ECR	DATE 03 AUG 10
ALL DIMENSIONS IN mm UNLESS OTHERWISE STATED. IMPERIAL AND AUXILIARY DIMENSIONS IN BRACKETS. DIMENSIONS AND TOLERANCES APPLY TO THE MANUFACTURED PART INCLUDING ANY FINISH THIS DOCUMENT SPECIFIES. REMOVE ALL BURRS AND SHARP EDGES. FOR GENERAL MANUFACTURING INSTRUCTIONS SEE CP5-3-5. FOR EXPLANATION OF DRAWING TERMS AND SYMBOLS REFER TO BS:8888 OR BS:308					
A3 5063c-5		© e2v technologies (uk) ltd 2010. A Limited Company Registered in England No. 432014. Registered Office: 106 Waterhouse Lane, Chelmsford CMI 2QU, UK. Holding Company: e2v technologies plc. This document is supplied by e2v technologies (uk) ltd on the express understanding that it is to be treated as confidential and that it may not be copied, used or disclosed to others in whole or in part for any purpose except as authorised in writing by e2v technologies (uk) ltd.			

