

A310

4MP Mini Bullet with D/N, IR, Extreme WDR, SLLS, Fixed Lens



- 4 Megapixel
- Day & Night with Superior Low Light Sensitivity and IR LED
- Fixed Lens with f2.8mm/F1.6
- Extreme WDR
- H.265 Compression
- Super wide angle
- Event trigger, response and notification

► Specifications

Device

| | |
|--------------------------|--|
| Product Type | Mini Bullet |
| Maximum Resolution | 4MP |
| Application Environment | Outdoor |
| Image Sensor | Progressive Scan CMOS |
| Sensor Size | 1/2.7 " |
| Day / Night | Yes |
| Low Light Sensitivity | Superior |
| Minimum Illumination | Color: 0.018 lux; B/W: 0 lux (IR LED on) |
| Color to B/W Switch | ISP based switch, configurable |
| Mechanical IR Cut Filter | Yes |
| IR LED | IR LED (850 nm) |
| IR Working Distance | 65m (1.0 lux) |
| Electronic Shutter | 1/30-1/100000 second (auto mode) |
| S/N Ratio | 52 dB |

Lens

| | |
|--------------------------|---------------------|
| Focal Length | Fixed focal, f2.8mm |
| Aperture | F1.6 |
| Iris | Fixed iris |
| Focus | Fixed focus |
| Lens Mount | Board mount |
| Horizontal Viewing Angle | 101.3° |
| Vertical Viewing Angle | 55.3° |

Video

| | |
|-----------------------------------|---|
| Compression | H.265, H.264 (Main/ High profile), MJPEG |
| Maximum Frame Rate vs. Resolution | 30 fps at 2688 x 1520 30 fps at 2560 x 1440 30 fps at 1920 x 1080 30 fps at 1280 x 960 30 fps at 1280 x 720 30 fps at 640 x 480 |
| Multi-Streaming | Simultaneous quad streams |
| Bit Rate | 128Kbps - 12Mbps (per stream) |
| Bit Rate Mode | Constant, Variable |
| Wide Dynamic Range | Extreme WDR (150 dB) |
| Image Enhancement | White Balance, Backlight compensation (BLC), Brightness, Contrast, Sharpness, Automatic gain control |
| Digital Noise Reduction | 2D + 3D DNR |
| Privacy Mask | 4 configurable regions |
| Text Overlay | Yes |
| Built-in Analytics | Tampering Detection, Face Detection, Object Line Crossing Detection, Object Enter Area Detection |
| Server-based Analytics | Object Line Counting, People Counting, Face Detection, Object Based Motion Detection, Tamper, Object Line Crossing Detection, Object Enter Area Detection, Missing Object Detection, Unattended Object Detection, Smoke Detection, Heat Map, Dwell Time, Direction Detection, Automatic License Plate Recognition, People Queue Detection, (Require PC-based or standalone IVS or ALPR Server. Contact ACTi support for recommendations on how to maximize analytical accuracy) |
| Image Orientation | Flip, Mirror, Rotation (Corridor mode) |

Network

| | |
|----------------------------|--|
| Network Protocol & Service | IPv4/v6, TCP, UDP, DHCP, PPPoE, HTTP, HTTPS, DNS, DDNS, NTP, RTP, RTSP, RTCP, SMTP, FTP, SFTP, IGMP, ICMP, Bonjour, UPnP, QoS, SNMP, IEEE 802.1X |
| Ethernet Port | 1, Ethernet (10/100 Base-T), RJ-45 pigtail connector |
| Security | IP address filtering, HTTPS encryption, Password protected user level, Anonymous login, IEEE 802.1X network access control |

Event

| | |
|---------------|---|
| Event Trigger | Video motion detection (10 included and excluded polygonal regions), Intelligent event detection, Video streams loss, System log buffer overrun, Remove system log, Logon events (Login Failure, Login Success, Block an Account) |
|---------------|---|

| | |
|----------------|---|
| Event Response | Notify control center, Change camera settings, Command other devices, E-mail notification with snapshots, Push notification to mobile device, Save video to local storage, Upload video to NVR server, Upload video or snapshot to FTP server |
|----------------|---|

System

| | |
|------------|---------|
| System Log | Support |
| Watchdog | Support |

Integration

| | |
|-----------------------|---|
| Unified Solution | Fully compatible with ACTi software |
| GPS Position | Manual setting |
| Edge Recording | Support (integration with NVR by ONVIF Profile G or proprietary protocol)** |
| ONVIF Compliant | Yes, Profile S, Profile G, Profile T |
| GB28181 Compliant | Yes |
| Web Browser | IE 11, Google Chrome*, Microsoft Edge*, Apple Safari* |
| Auto Firmware Upgrade | Yes |

Interface

| | |
|------------------|---|
| Local Storage | MicroSD, MicroSDHC, MicroSDXC Memory Card Slot (card not included, up to 256GB, Kingston or Sandisk only) |
| Operating Button | Reset Button |

General

| | |
|-----------------------|--|
| Power Source | DC 12V, PoE Class 3 (IEEE802.3af) |
| Power Consumption | 6 W (DC), 7.5 W (PoE) |
| Weight | 474g (1.045lb) |
| Dimensions | (W x H x D): 65.6mm x 65.6mm x 153.7mm (2.58" x 2.58" x 6.05") |
| Environmental Casing | Weatherproof (IP68), Vandal proof metal casing (IK10) |
| Bundled Accessories | Integrated bracket |
| Operating Temperature | -30°C ~ 60°C (-22°F ~ 140°F) |
| Operating Humidity | 10% - 95% RH |
| Approvals | CE Class B, FCC Class B, EAC, IP68, NEMA 4X, IK10 (metal casing) |
| Warranty | 3 Year(s). For extended warranty offering, see http://www.acti.com/support/warranty |

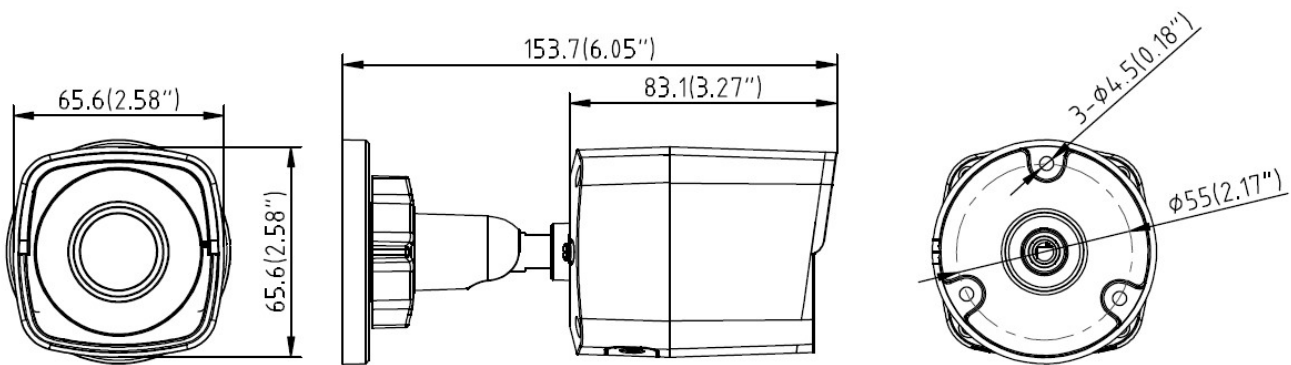
* cross-browser compatibility: Not available for H.265 video decoding ** Edge Recording function is integrated with NVR 3 Corporate / NVR 3 Business / INR / GNR series.

▶ Photo Indication



- 1 Ethernet Port
- 2 DC 12V Power Input
- 3 Reset Button
- 4 Memory Card Slot

▶ Dimension Diagram



Unit: mm [inch]

▶ Related Products

Mounting Accessories - Camera Mount


PMAX-0533  Pole mount for A310, A311.

PMAX-0726  Junction box for A310, A311

Note: Some mounting accessories may need additional accessories for installation. Please check www.acti.com/mountingselector for more information.


Power Supply Accessories - Power Adapter

PPBX-0012  Power Adapter AC 100~240V (US), for A3x, A4x, A88, A9x, Z31, Z8x, Z9x

PPBX-0013  Power Adapter AC 100~240V (EU), for A3x, A4x, A88, A9x, Z31, Z8x, Z9x

PPBX-0014  Power Adapter AC 100~240V (UK), for A3x, A4x, A88, A9x, Z31, Z8x, Z9x

Power Supply Accessories - PoE Injector

PPOE-0002  PoE Injector IEEE 802.3af compliant, AC 100~240V, with universal connectors

Other Accessories - Accessory Part

R709-00002  Packaging Box (for Z3X, A310, A311)