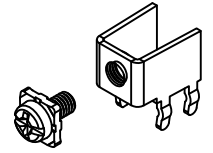
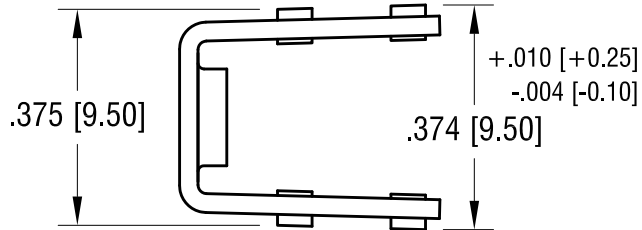
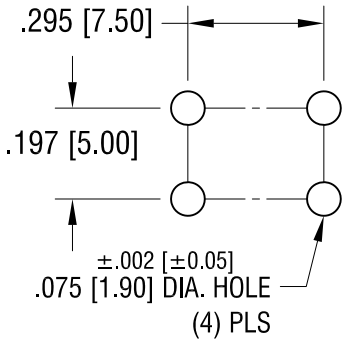


THIS DOCUMENT IS THE PROPERTY OF KEYSTONE ELECTRONICS CORP. AND SHALL NOT BE REPRODUCED, DISTRIBUTED OR USED AS A BASIS FOR MANUFACTURE WITHOUT PRIOR WRITTEN PERMISSION FROM KEYSTONE ELECTRONICS CORP.

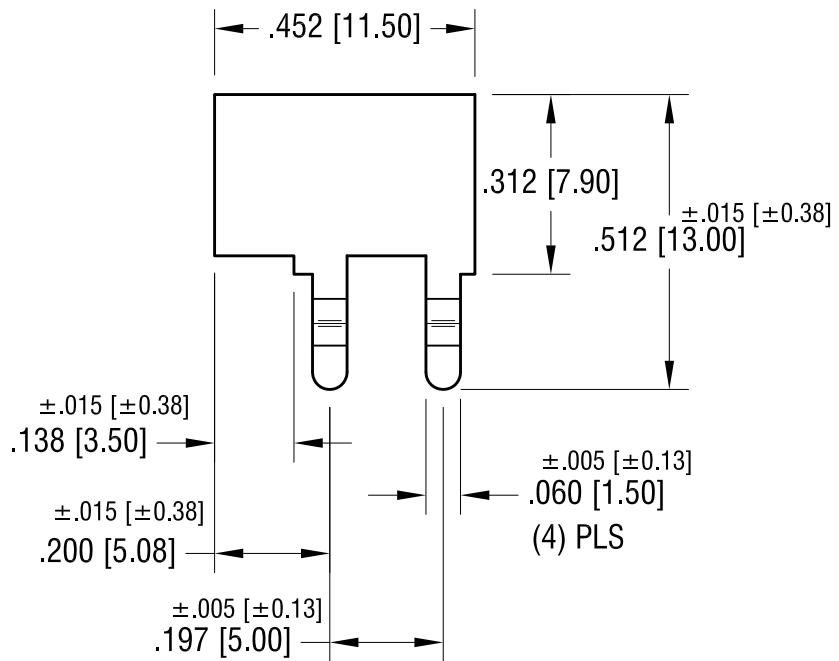
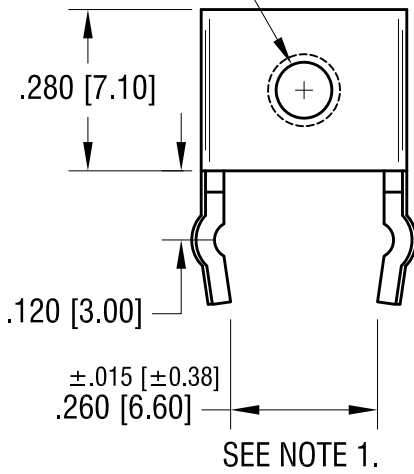
ACTUAL SIZE



MOUNTING DETAIL



M3 x 0.5
THREAD



NOTE:

1. TERMINAL:
MAT'L - .032 [0.81] TH'K BRASS, MATTE TIN PLATE
2. COMBINATION M3 x 0.5 SEMS SCREW SUPPLIED LOOSE
MAT'L - STEEL, NICKEL PLATE

KEYSTONE ELECTRONICS CORP.

www.keyelco.com • ASTORIA, N.Y. 11105-2017 • Tel (718) 956-8900

PART NAME

PC METRIC SCREW TERMINAL

MATERIAL

AS NOTED

FINISH

AS NOTED

DRN BY

NT

DATE

2.16.16

APP'D

LN

SCALE

3X

TOLERANCES

INCH [MM]

DECIMAL ±.010 [±0.25]

CODE

C

ANGULAR ± 1°
UNLESS OTHERWISE SPECIFIED

DWG NO.

7689-SEMS

C

REV.

DATE

DESCRIPTION