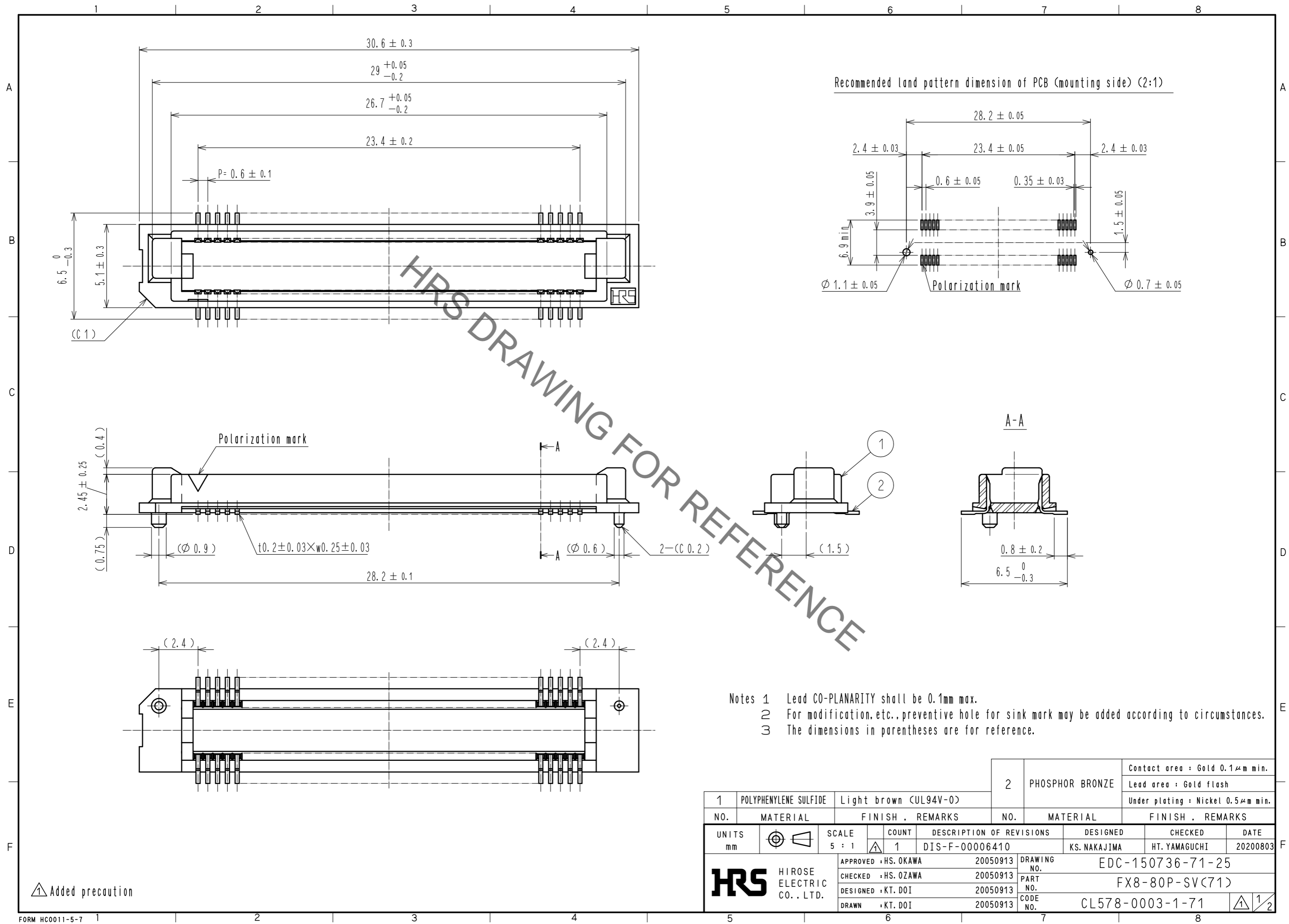


May.1.2023 Copyright 2023 HIROSE ELECTRIC CO., LTD. All Rights Reserved.
In case of consideration for using Automotive equipment / device which demand high reliability, kindly contact our sales window correspondents.



HRS DRAWING FOR REFERENCE

- Notes
- 1 Lead CO-PLANARITY shall be 0.1mm max.
 - 2 For modification, etc., preventive hole for sink mark may be added according to circumstances.
 - 3 The dimensions in parentheses are for reference.

| | | | | | |
|--------------------------------------|-----------------------|-----------------------|------------|--|---|
| 1 | POLYPHENYLENE SULFIDE | Light brown (UL94V-0) | 2 | PHOSPHOR BRONZE | Contact area : Gold 0.1μm min. Lead area : Gold flash Under plating : Nickel 0.5μm min. |
| NO. | MATERIAL | FINISH . REMARKS | NO. | MATERIAL | FINISH . REMARKS |
| UNITS mm | | SCALE 5 : 1 | COUNT 1 | DESCRIPTION OF REVISIONS DIS-F-00006410 | DESIGNED KS. NAKAJIMA |
| | | | | CHECKED HT. YAMAGUCHI | DATE 20200803 |
| HRS HIROSE ELECTRIC CO., LTD. | | APPROVED : HS. OKAWA | 20050913 | DRAWING NO. EDC-150736-71-25 | |
| | | CHECKED : HS. OZAWA | 20050913 | PART NO. FX8-80P-SV(71) | |
| | | DESIGNED : KT. DOI | 20050913 | CODE NO. CL578-0003-1-71 | |
| | | DRAWN : KT. DOI | 20050913 | | |

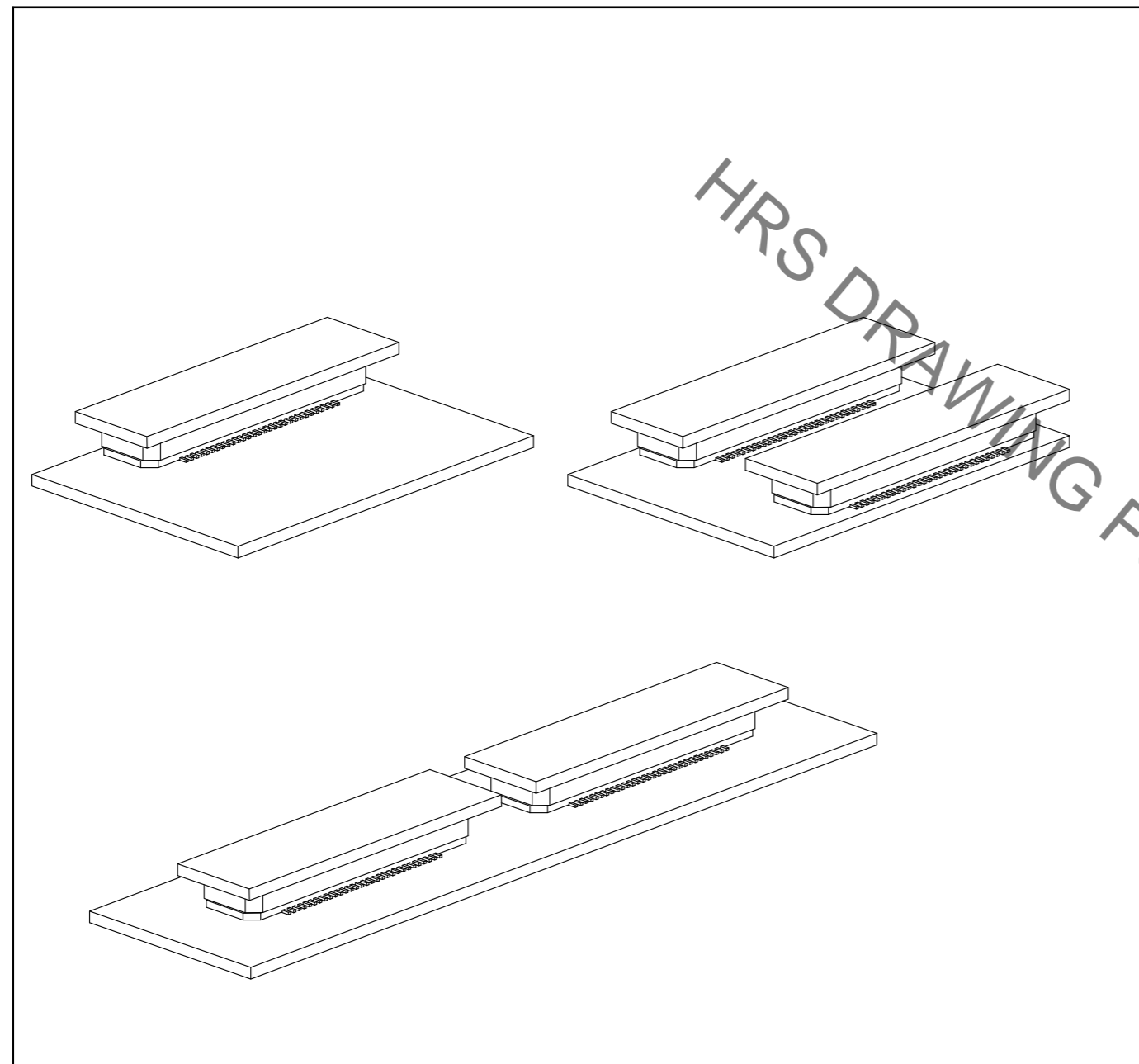
Added precaution

May.1.2023 Copyright 2023 HIROSE ELECTRIC CO., LTD. All Rights Reserved.
In case of consideration for using Automotive equipment / device which demand high reliability, kindly contact our sales window correspondents.

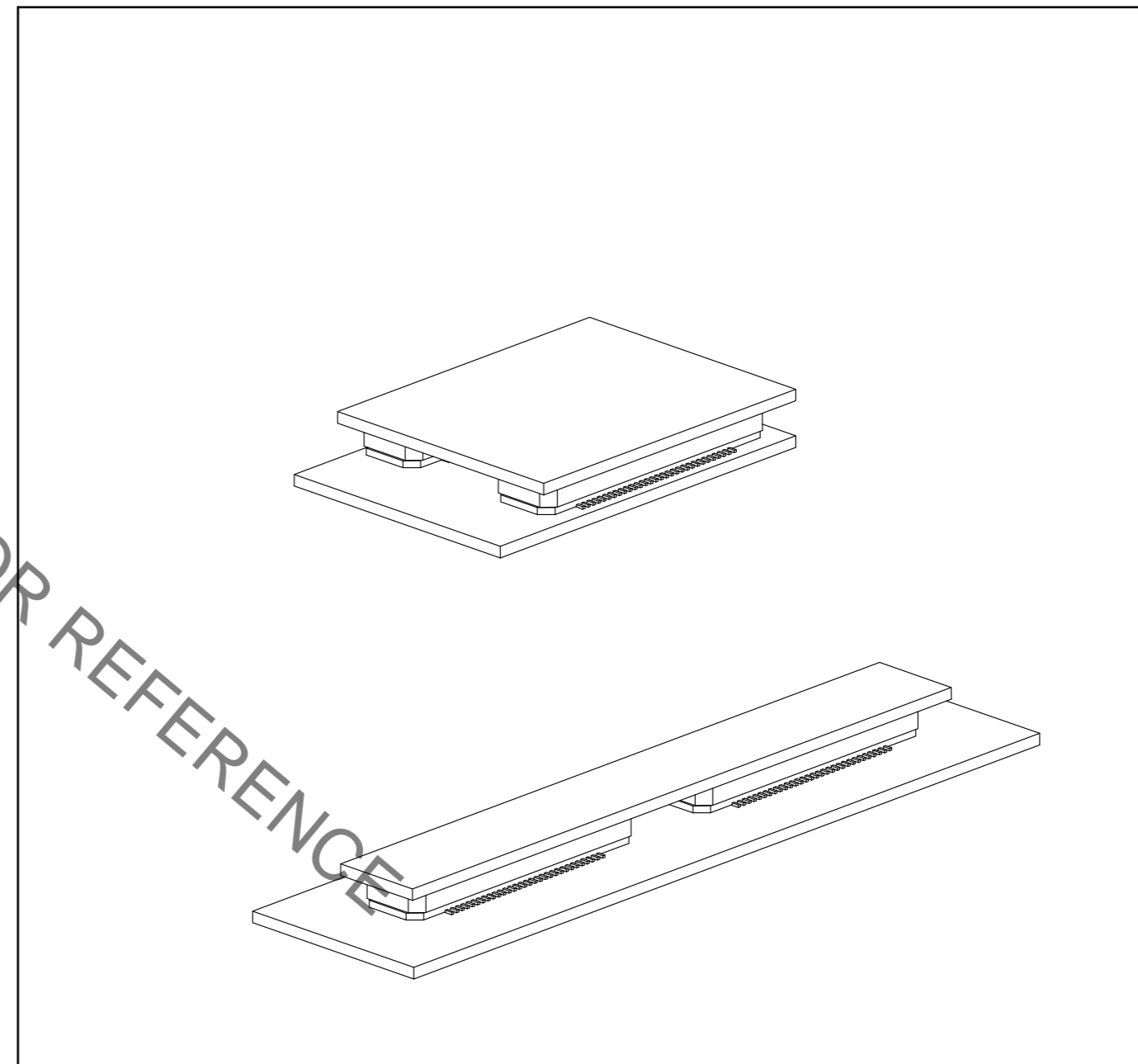
【 Precaution 】

When a board with multiple connectors mounted is mated, the connector may be damaged or deformed.
Please divide one side of the board so only one connector is mated per board.

OK



NG



HRS DRAWING FOR REFERENCE

| | | |
|------------|-------------|------------------|
| HRS | DRAWING NO. | EDC-150736-71-25 |
| | PART NO. | FX8-80P-SV(71) |
| | CODE NO. | CL578-0003-1-71 |
| | | 2/2 |