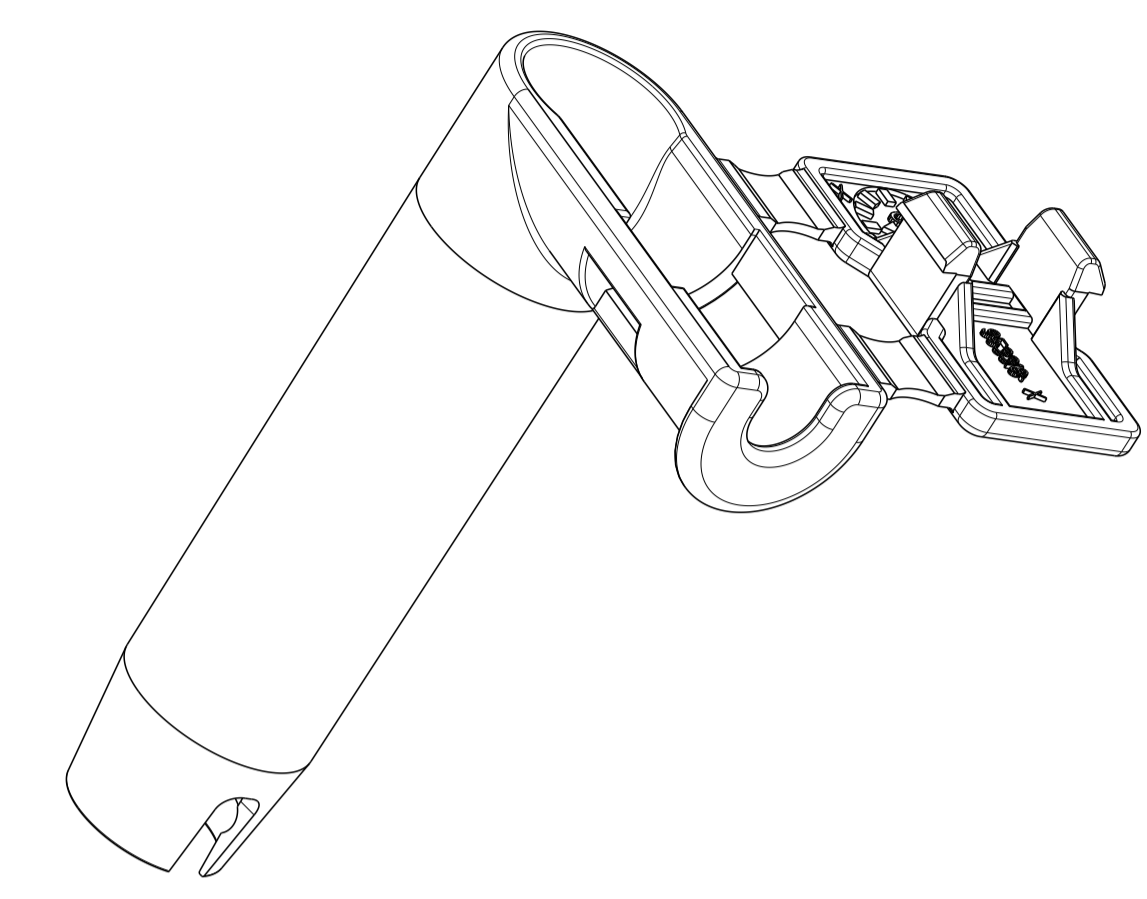
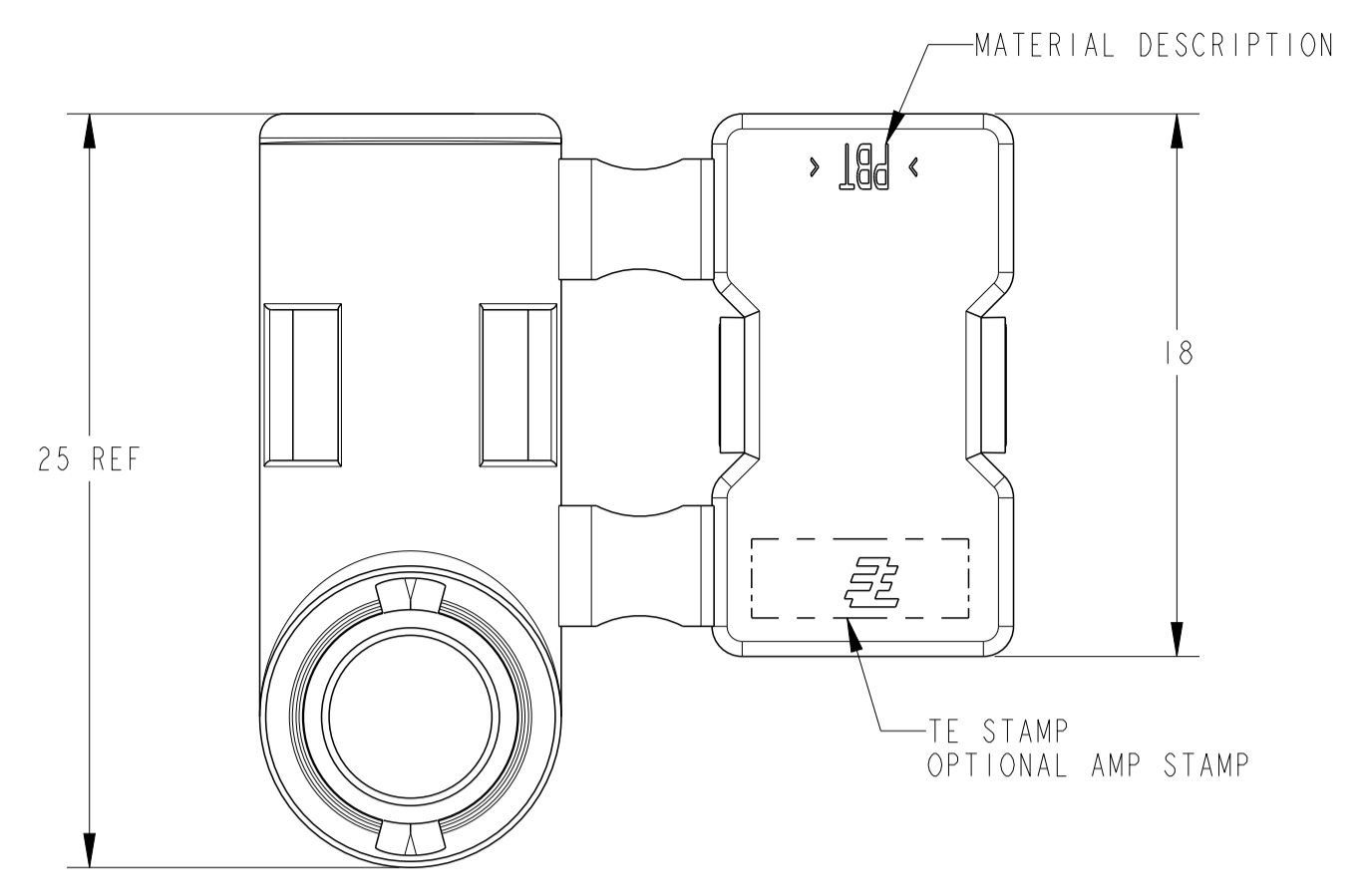
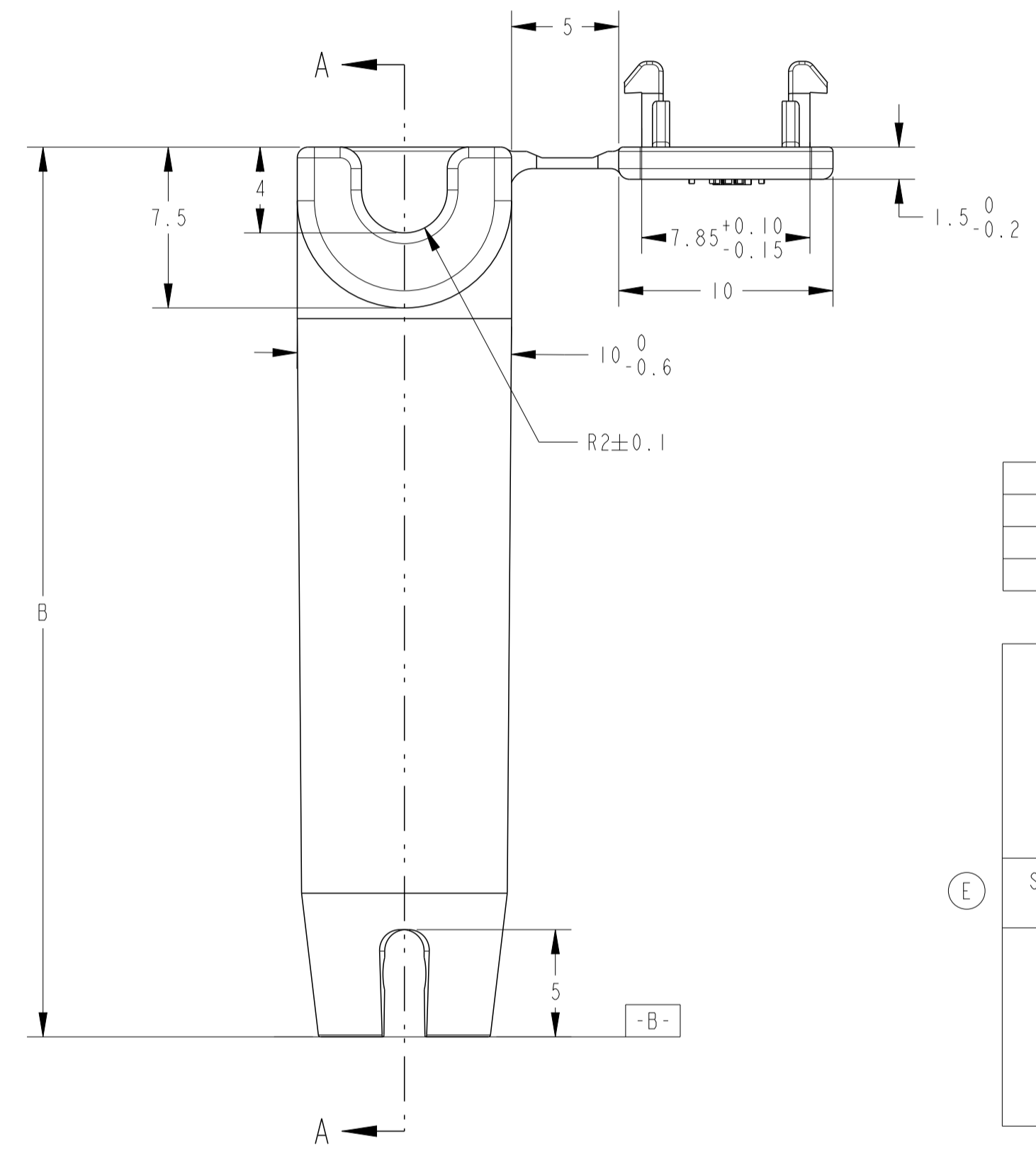
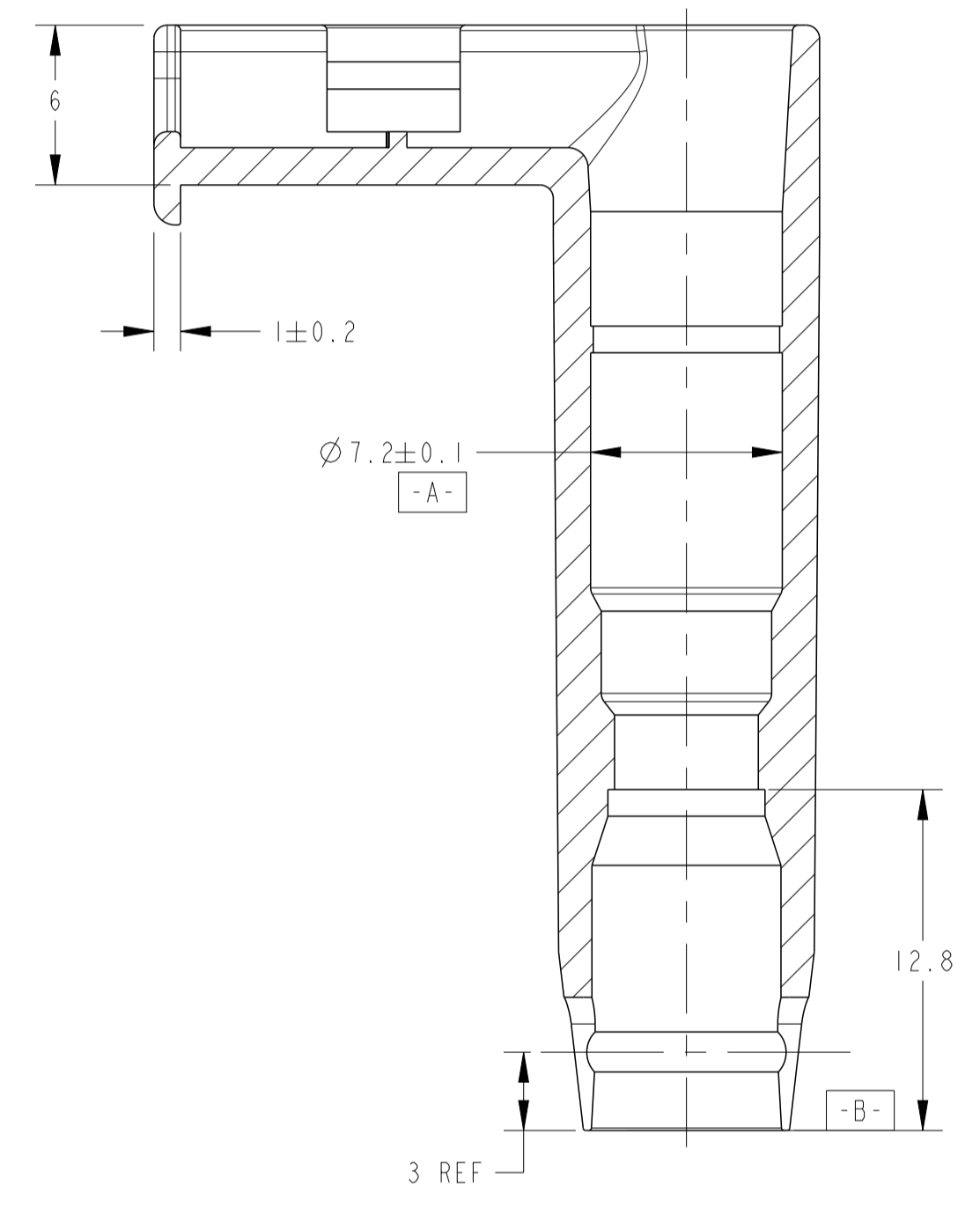


REVISIONS						
P	LTN	REV	DESCRIPTION	DATE	DWN	APVD
B			HINGE MODIFICATION	24JUN2005	AR	JPP
C			DIMENSION MODIFICATION C4, NOTE TYCO STAMP	12SEP2005	RC	OD
D			DIM B TOLERANCE MODIFICATION	08SEP2017	ASB	SA
E			ADDED PN 1-953318-2, CHANGED TOOL PN	19SEP2018	GP	XR



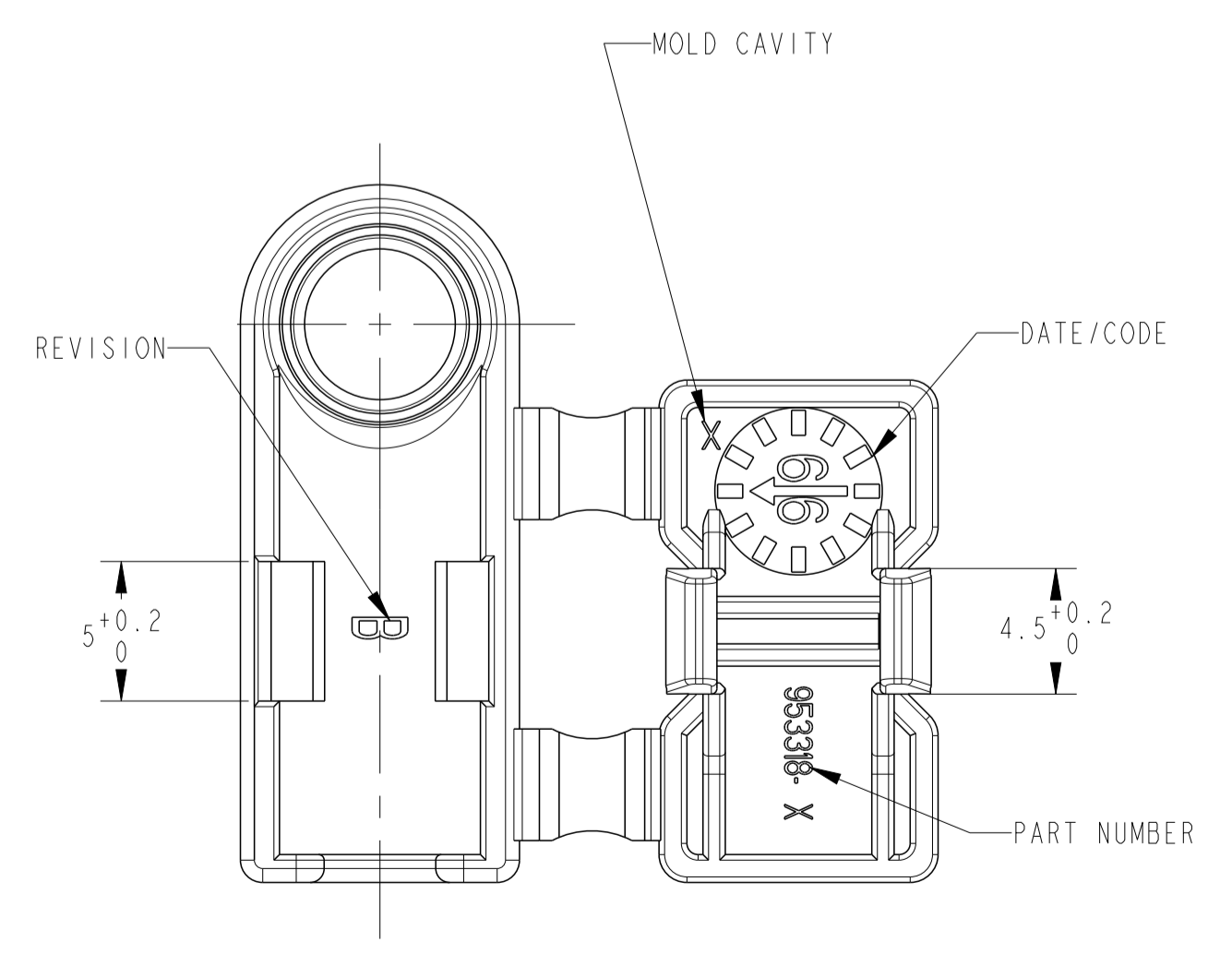
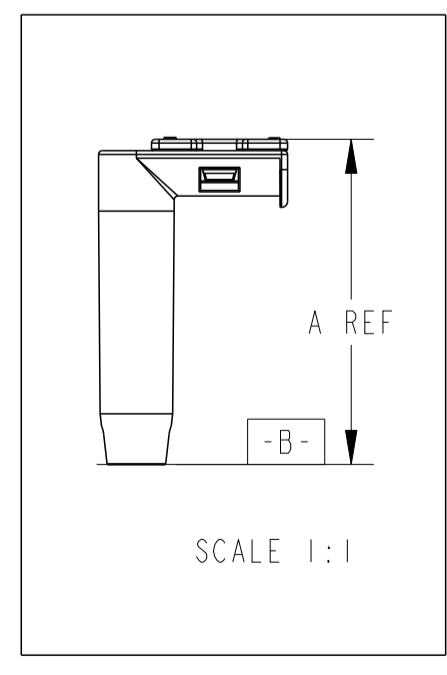
SACLE 3:1

COUPE A-A



EXTRACTION TOOL	
DESCRIPTION	PART NUMBER
EXTRACTION TOOL	2-1579007-0
SPARE BLADE	4-1579007-0

	ASSOCIATED COMPONENTS							
	PART NUMBER		DESCRIPTION					
	963244-1							
	963245-1							
	962956-1		SOCKET CONTACT Ø 4mm					
(E) Same as 953318-2 with special packaging	1-953318-2	D	BLACK	PBT	HOUSING	0.003 Kg	61	59.5±0.15
	953318-2	D	BLACK	PBT	HOUSING	0.003 Kg	61	59.5±0.15
	953318-1	D	BLACK	PBT	HOUSING	0.0025 Kg	43	41.5 +0.3/-0.2
	PART NUMBER	PART REVISION CODE	COLOUR	MATERIAL	DESCRIPTION	WEIGHT	DIM A	DIM B



THIS DRAWING IS A CONTROLLED DOCUMENT. CE PLAN EST UN DOCUMENT CONTROLÉ PAR AMF INCORPORATED. IL EST SOUS LE CONTROLE DE LA REVISION. CONJECTURE DE SERVICE. DIMENSIONS: TOI FRANCES, UNLESS OTHERWISE SPECIFIED (DIMENSIONS IN MILLIMETERS). TOLERANCES NON SPECIFIEES (DIMENSIONS IN MILLIMETERS):

DRAWN/DESSINE	S. RONOT	05FEB99
CHECK/VERIFIE	J. P. PICAUD	05FEB99
APPROVED/APPROUVE	J. DE VILL	05FEB99
PRODUCT SPEC.	108-15194	
SPEC. PRODUCT	411-15605	
APPLICATION SPEC.		
WEIGHT	SEE TABLE	
MATERIAL	PBT	
FINISH	SEE TABLE	

NAME: 1 WAY GLOW PLUG CONNECTOR

SIZE: A1

CAGE CODE: 00779

DRAWING NO: 953318

UNIQUEMENT POUR REFERENCE

SCALE: 4:1

SHEET: 1 OF 1

REV: E