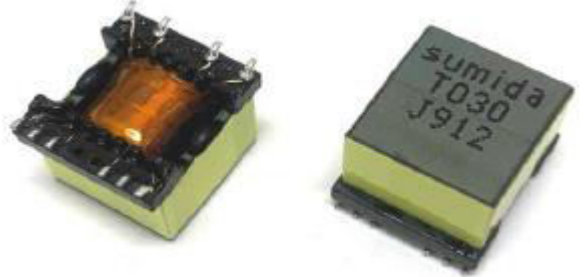


Flyback Transformer for LT8304-1 CEP1311E (10380-T030)



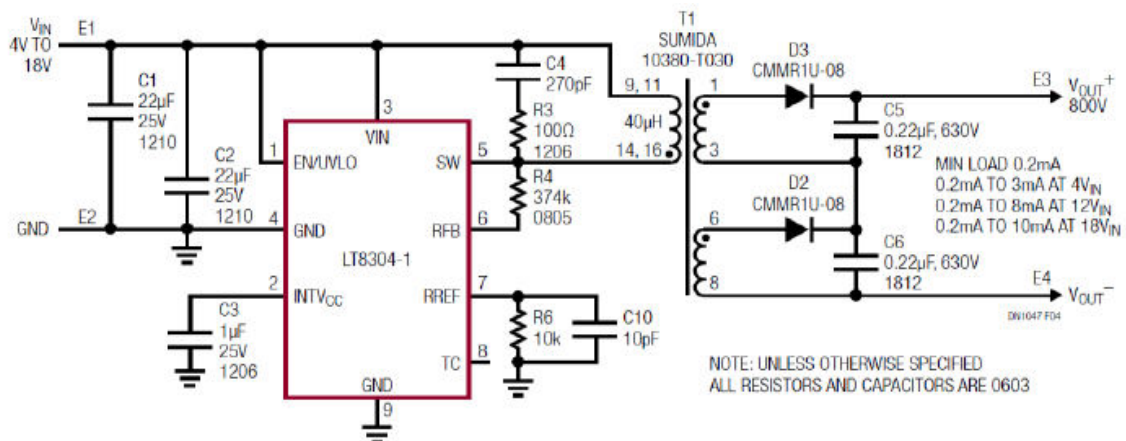
Descriptions

- Transformer associates LT8304-1 reference design which is an isolated no-opto flyback converter specially optimized for high output voltage applications - providing outputs up to 1000V
- Environmental RoHS compliant without exemption, REACH compliance
- SMD type, size 13.8 x 15.5 x 12.8 mm max.
- Terminal platings: Matte Tin and thickness $\geq 8\mu\text{m}$
- Moisture Sensitivity Level (MSL) 1
(unlimited floor life at $< 30^\circ\text{C}$ /85% relative humidity)
- Operating temperature range: -40°C to 125°C (ambient + Temp rise)
- Storage temperature range: -40°C to 125°C
- Maximum heat endurance temperature is 260°C
- Recommended reflow condition as max temperature 245°C withstand no longer than 40 seconds



Applications

- Power Supply in Industrial, Automotive, Medical, and Telcom applications with reliable, easy-to-use, high voltage and isolated, and provide excellent regulation over load, line and temperature, output up to 1000V
- Refer to LT8304-1 datasheet and Design Note 1047. Right schematics is a complete 800V/10mA Isolated Flyback converter from 4V~18V Input



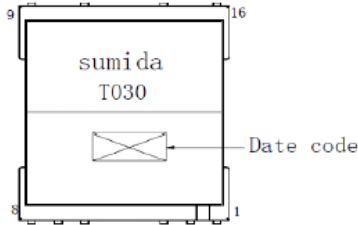
Above reference a Complete 800V/10mA Isolated Flyback Converter from a 4V~18V Input

Note: This specification is subject to change without notice. Please contact your nearest sales office for updated information when placing an order.

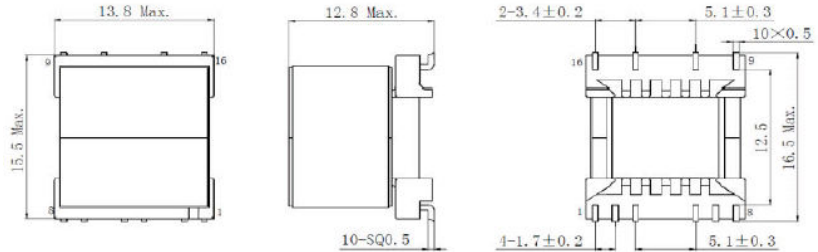
Flyback Transformer for LT8304-1 CEP1311E (10380-T030)



Stamp and Top View

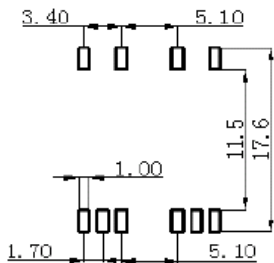


Dimension - [mm]

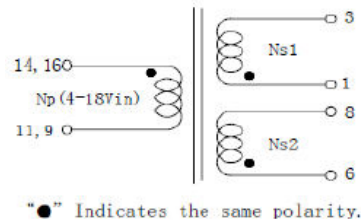


- * Terminals should be measured the length of the soldered point.
- * Dimensions without Tolerance are references.
- * PIN 4#, 5#, 10#, 12#, 13#, 15# cut

Land Pattern - [mm]



Schematics



Electrical Characteristics (at 25°C unless otherwise specified)

| Item | PIN | Specification | Measuring Conditions |
|--------------------|----------------|---|--------------------------------------|
| Inductance | (14,16 - 9,11) | 40 μ H \pm 10% | 10 kHz / 0.1 Vrms |
| Leakage Inductance | (14,16 - 9,11) | 2.4 μ H Max. (1.2 μ H Typ) | 100 kHz, 0.1 Vrms Tie all other pins |
| Turns Ratio | NP : Ns1 : Ns2 | 1 : 10 : 10 | |
| Hi-Pot | (Np-Ns1, Ns2) | 1500 Vrms | 2 Sec, 1mA, 50/60 Hz |
| | (Coil - Core) | 500 Vrms | |
| DCR | (14,16 - 9,11) | 73 m Ω Max. (61 m Ω Typ) | |
| | (1 - 3) | 21 Ω Max. (19.0 Ω Typ) | |
| | (6 - 8) | 21 Ω Max. (19.0 Ω Typ) | |



For sales office information, please [click here](#) to visit our website.

Note: This specification is subject to change without notice. Please contact your nearest sales office for updated information when placing an order.