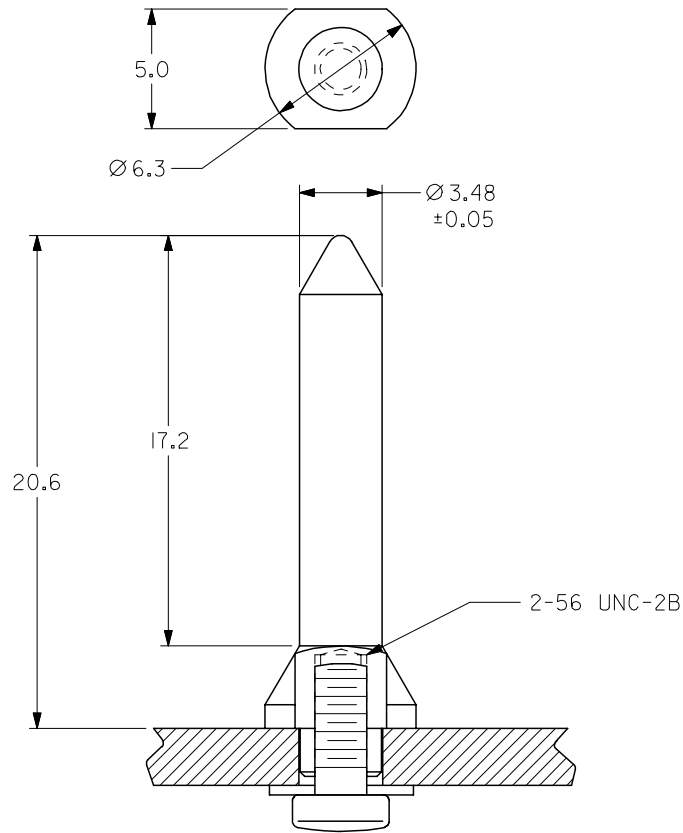
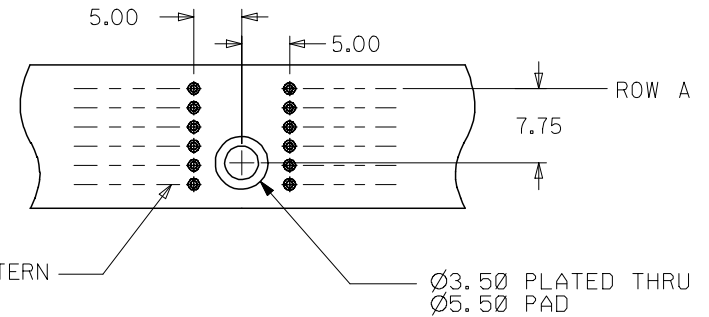


PART NUMBER	DESCRIPTION	SEMS SCREW	BOARD THICKNESS
73962-0000	STAND ALONE POST	NOT SUPPLIED	VARIOUS
73962-1000	KIT: POST w/ SCREW	73774-1000	5.25 - 7.5 mm
73962-2000	KIT: POST w/ SCREW	73774-1015	2.50 - 5.25 mm

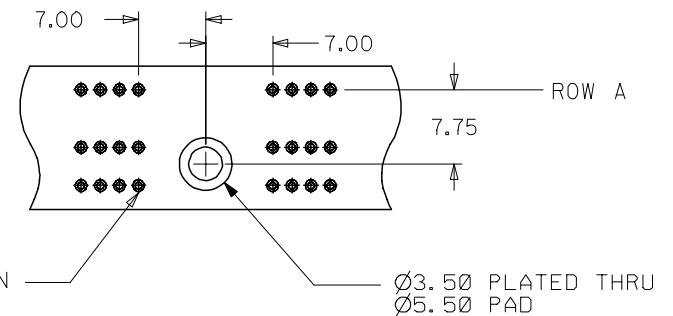


- NOTES:
1. MATERIAL: STAINLESS STEEL
  2. FINISH: PASSIVATE
  3. THIS PART CONFORMS TO MOLEX PRODUCT SPECIFICATION PS-73670-9999
  4. PARTS ARE BULK PACKED

BACKPLANE SIGNAL HOLE PATTERN  
SCALE 2:1



BACKPLANE POWER HOLE PATTERN  
SCALE 2:1



CHGD SEMS SCREW EC NO: UCP2005-1565 THDRWNE: JONIAK 2005/10/06 CHKD: JONIAK 2005/10/07 APPR: SREED 2005/10/07	QUALITY SYMBOLS ▽=0 ▽=0	GENERAL TOLERANCES (UNLESS SPECIFIED)		DIMENSION STYLE MM ONLY	SCALE 5:1	DESIGN UNITS METRIC	THIRD ANGLE PROJECTION	
			mm	INCH	DRAWN BY JJONIAK	DATE 2005/09/29	TITLE HDM BACKPLANE MODULE GUIDE POST SALES ASSEMBLY	
		4 PLACES	± ---	± ---	CHECKED BY JJONIAK	DATE 2005/09/29	MOLEX INCORPORATED	
		3 PLACES	± ---	± ---	APPROVED BY JJONIAK	DATE 2005/09/29	MATERIAL NO. SEE CHART	
			2 PLACES	± 0.13	± ---		DOCUMENT NO. SD-73962-002	SHEET NO. 1 OF 1
			1 PLACE	± 0.25	± ---			
			ANGULAR ±1/2°					
		DRAFT WHERE APPLICABLE MUST REMAIN WITHIN DIMENSIONS		THIS DRAWING CONTAINS INFORMATION THAT IS PROPRIETARY TO MOLEX INCORPORATED AND SHOULD NOT BE USED WITHOUT WRITTEN PERMISSION				