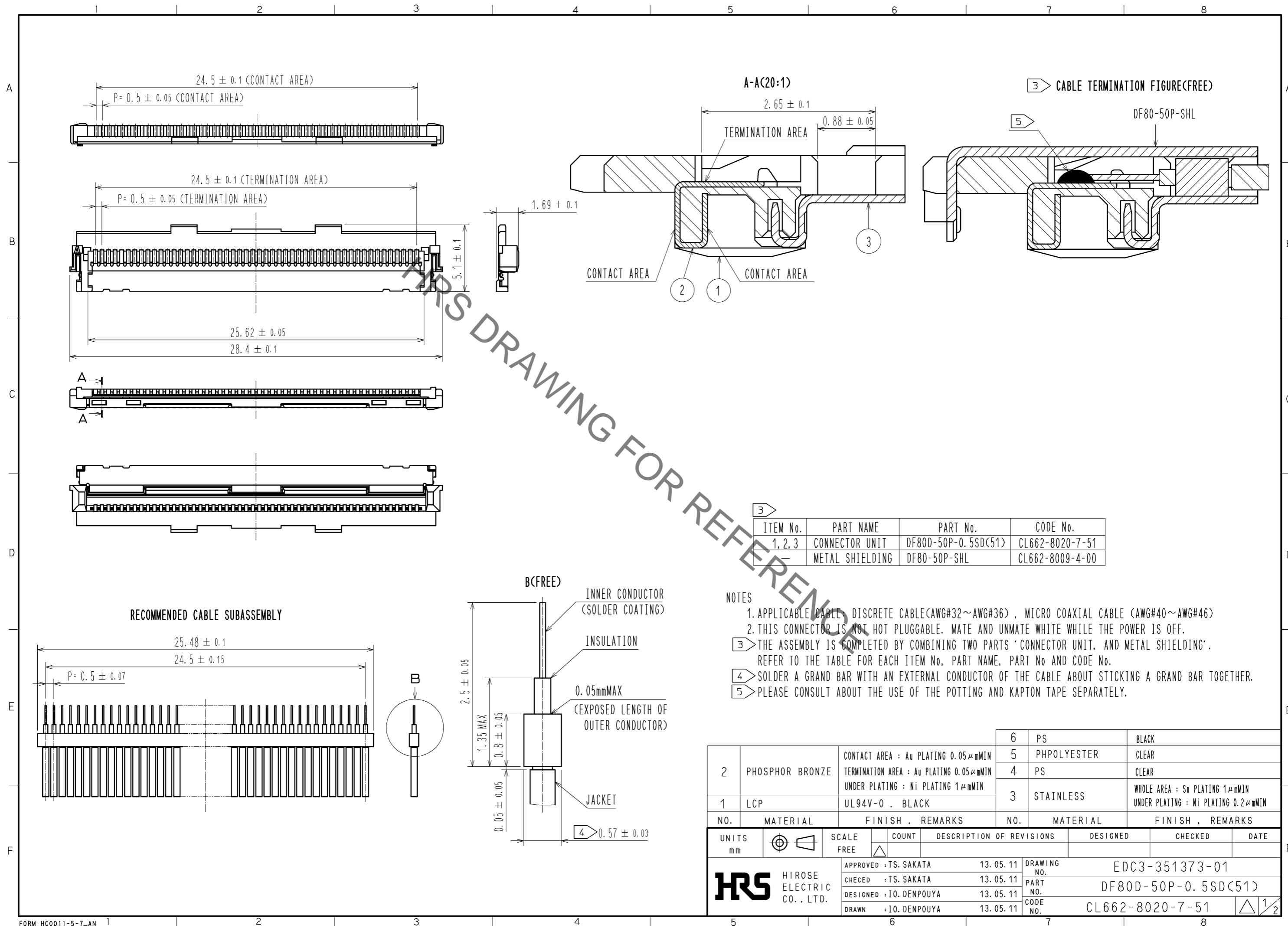


May.1.2023 Copyright 2023 HIROSE ELECTRIC CO., LTD. All Rights Reserved.
In case of consideration for using Automotive equipment / device which demand high reliability, kindly contact our sales window correspondents.



ITEM No.	PART NAME	PART No.	CODE No.
1, 2, 3	CONNECTOR UNIT	DF80D-50P-0.5SD(51)	CL662-8020-7-51
	METAL SHIELDING	DF80-50P-SHL	CL662-8009-4-00

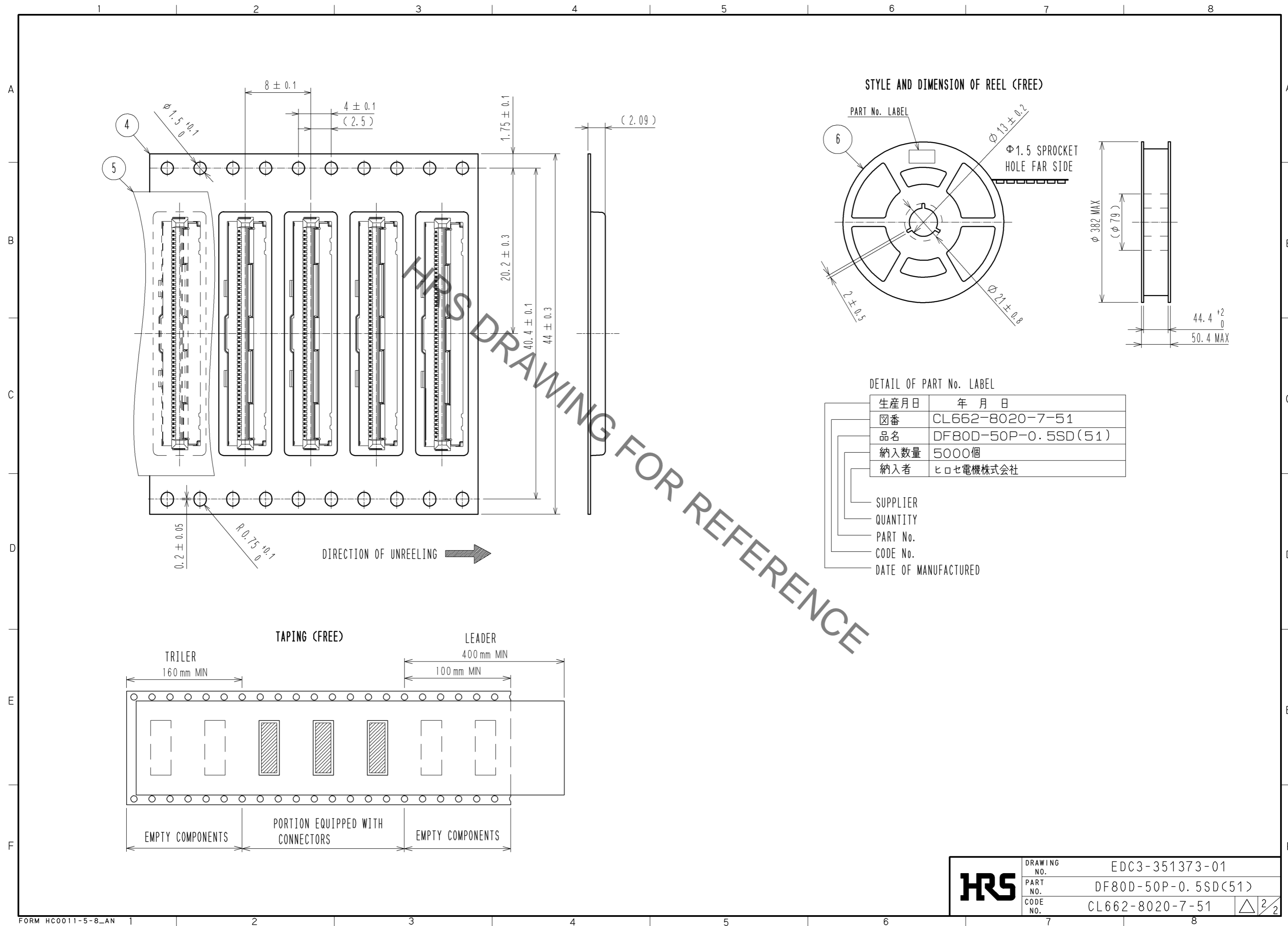
- NOTES
1. APPLICABLE CABLE: DISCRETE CABLE(AWG#32~AWG#36), MICRO COAXIAL CABLE (AWG#40~AWG#46)
 2. THIS CONNECTOR IS NOT HOT PLUGGABLE. MATE AND UNMATE WHILE THE POWER IS OFF.
 3. THE ASSEMBLY IS COMPLETED BY COMBINING TWO PARTS 'CONNECTOR UNIT, AND METAL SHIELDING'. REFER TO THE TABLE FOR EACH ITEM No., PART NAME, PART No AND CODE No.
 4. SOLDER A GRAND BAR WITH AN EXTERNAL CONDUCTOR OF THE CABLE ABOUT STICKING A GRAND BAR TOGETHER.
 5. PLEASE CONSULT ABOUT THE USE OF THE POTTING AND KAPTON TAPE SEPARATELY.

NO.	MATERIAL	FINISH	REMARKS	NO.	MATERIAL	FINISH	REMARKS
2	PHOSPHOR BRONZE	CONTACT AREA : Au PLATING 0.05 μmMIN TERMINATION AREA : Au PLATING 0.05 μmMIN UNDER PLATING : Ni PLATING 1 μmMIN		6	PS		BLACK
1	LCP	UL94V-0, BLACK		5	PHPOLYESTER		CLEAR
				4	PS		CLEAR
				3	STAINLESS		WHOLE AREA : Sn PLATING 1 μmMIN UNDER PLATING : Ni PLATING 0.2 μmMIN

UNITS	SCALE	COUNT	DESCRIPTION OF REVISIONS	DESIGNED	CHECKED	DATE
mm	FREE	△	APPROVED : TS. SAKATA 13.05.11 CHECKED : TS. SAKATA 13.05.11 DESIGNED : IO. DENPOUYA 13.05.11 DRAWN : IO. DENPOUYA 13.05.11			

DRAWING NO.	PART NO.	CODE NO.
EDC3-351373-01	DF80D-50P-0.5SD(51)	CL662-8020-7-51

May.1.2023 Copyright 2023 HIROSE ELECTRIC CO., LTD. All Rights Reserved.
 In case of consideration for using Automotive equipment / device which demand high reliability, kindly contact our sales window correspondents.



THIS DRAWING FOR REFERENCE

HRS	DRAWING NO.	EDC3-351373-01
	PART NO.	DF80D-50P-0.5SD(51)
	CODE NO.	CL662-8020-7-51
		△ 2/2