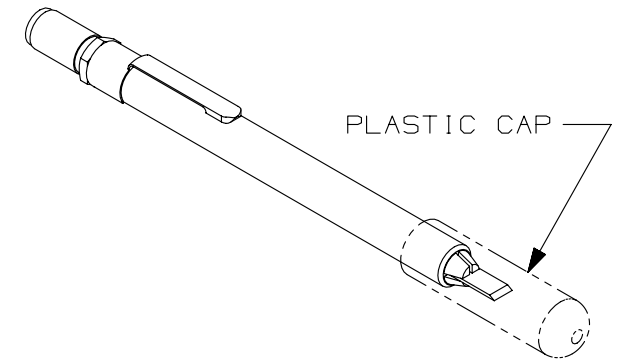
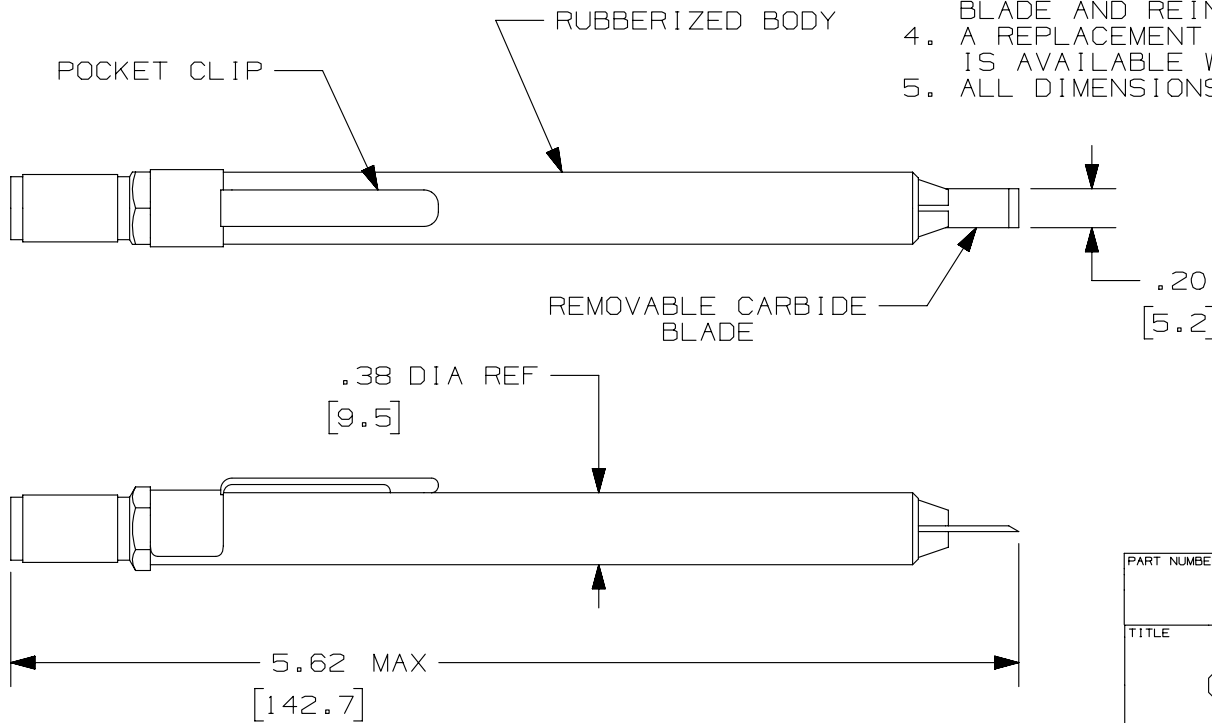


THIS COPY IS PROVIDED ON A RESTRICTED BASIS AND IS NOT TO BE USED IN ANY WAY DETRIMENTAL TO THE INTERESTS OF PANDUIT CORP.

PANDUIT PART NUMBER	WEIGHT
FSCRIBE	.04 LB./EACH [ 19.1 GRAMS/EACH ]

NOTES:

1. SEE CURRENT CATALOG FOR ADDITIONAL PART NUMBER SUFFIXES TO INDICATE PACKAGE QUANTITIES.
2. THE TOOL IS USED TO SCORE A GLASS FIBER PRIOR TO THE POLISHING PROCESS.
3. THE TOOL HAS A REMOVABLE CARBIDE BLADE WITH A SCORING EDGE AT EACH END. WHEN THE INITIAL EDGE IS WORN, REMOVE THE BLADE AND REINSERT WITH THE NEW EDGE EXPOSED.
4. A REPLACEMENT BLADE (PANDUIT PART NUMBER "FSCRBLD") IS AVAILABLE WHEN BOTH EDGES OF THE BLADE ARE WORN.
5. ALL DIMENSIONS IN BRACKETS ARE METRIC [ mm ].



PART NUMBER		FSCRIBE	
TITLE		CARBIDE TERMINATION SCRIBE	
CUSTOMER DRAWING			
ITEM REVISION NAME		M01190CE/00	
DATASET FILE NAME		M01190CE_DC/00B	
UNLESS OTHERWISE SPECIFIED, DIMENSIONAL TOLERANCES ARE: IN [ mm ]		MATERIAL:	
.x ± .xx ± .03 [ .8 ]		.xxx ± .010 [ .3 ]	
ANGLES ±		DRAWING NUMBER:	
THIRD ANGLE PROJECTION		01190-29	
DRAWN BY	DATE	CHK	SCALE
EFK	07-25-03	RTF I	NONE
SHT 1 OF 1		SIZE	
A		A	

2	2/11/15	JSP	WJM	RWB	A. UPDATED DRAWING TITLE BLOCK.	01190-29
REV	DATE	BY	CHK	APR	DESCRIPTION	ECN

D10100DA/14