

# RH-EE-05 | Folding handle with recessed tray

Stainless steel



- 1
- 2
- 3
- 4
- 5
- 6
- 7
- 8
- 9
- 10
- 11
- 12
- 13
- 14
- 15
- 16
- 17
- 18

## MATERIAL

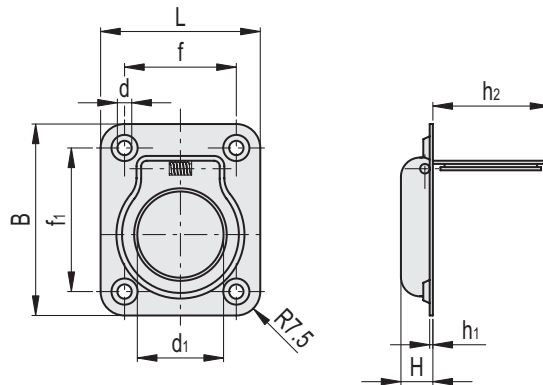
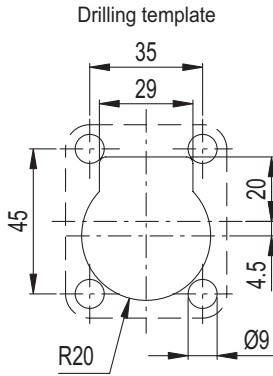
AISI 304 stainless steel with electropolished finish.  
Handle with return spring from work to rest position.

## STANDARD EXECUTION

Pass-through holes for M4 countersunk-head screws.

## APPLICATIONS

The folding handle with recessed tray RH-EE-05 series is used when it is requested to save space.



Conversion Table			
1 mm = 0.039 inch			
L		d	
mm	inch	mm	inch
50	1.97	4.5	0.18

Code	f	L	B	f1	H	h1	h2	d	d1	⚖
RHEE-05.060.39	35	50	60	45	10	1	35	4.5	27	36



Lift & Pull handles

542

