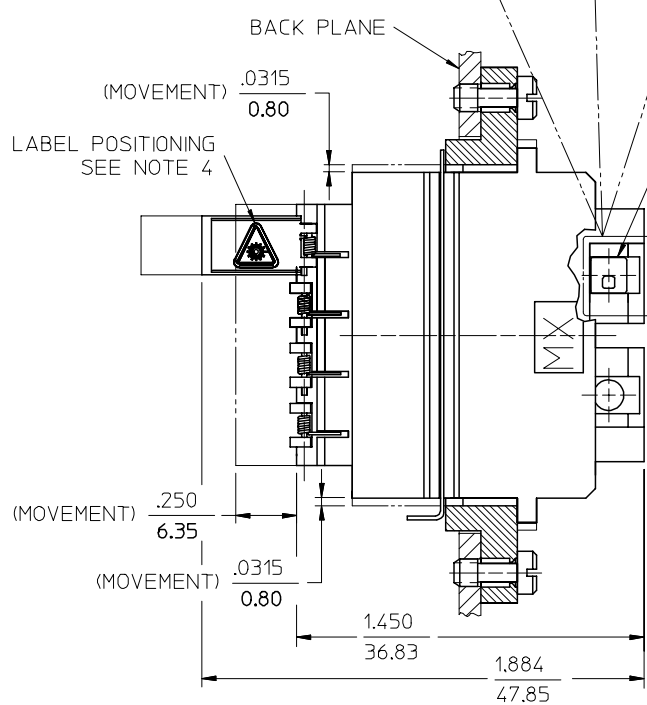
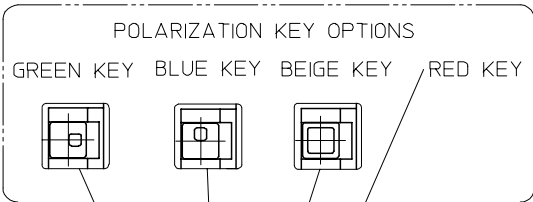
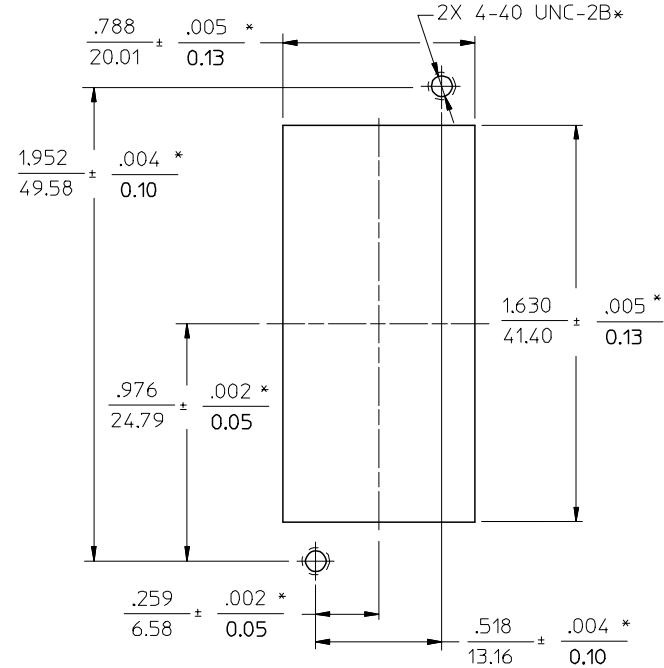
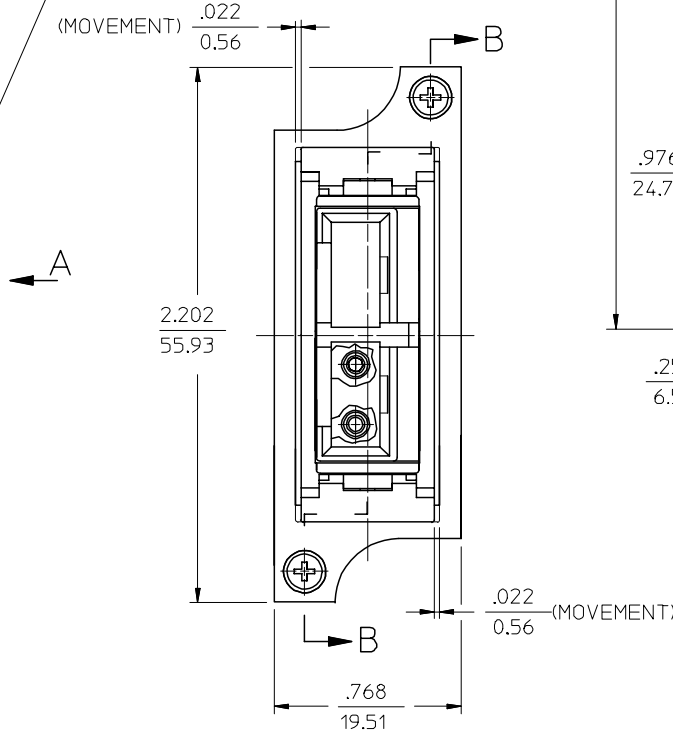


| BLC ADAPTER P/N | SPLIT SLEEVE MATERIAL | COLOR |
|-----------------|-----------------------|-------|
| 86144-0100      | Ph. Bronze            | BLACK |
| 86144-1100      | Zr                    | BLACK |
| 86144-1500      |                       | GREEN |



SECTION B-B



VIEW A  
RECOMMENDED MOUNTING HOLES

NOTES:

- ALL DIMENSIONS ARE GIVEN IN  $\frac{\text{INCHES}}{\text{mm}}$ .
- ALL DIM. ARE FOR REFERENCE ONLY, EXCEPT WHEN MARKED WITH (\*).
- POLARIZATION KEYS AND LABELS ARE PACKED UNASSEMBLED WITH ADAPTER ASSEMBLY IN POLY BAG.
- ADHESIVE LABELS TO BE POSITIONED ON LC DOORS BY USER. THE ORIENTATION OF THE LABELS SHOULD BE SUCH THAT THE LASER WARNING SYMBOL IS EASILY IDENTIFIED.

|                   |                    |            |
|-------------------|--------------------|------------|
| ENTER DESCRIPTION | EC NO: MF2006-0537 | 2006/04/21 |
|                   | DRWN:KPEVNER       | 2006/04/21 |
|                   | CHKD:              |            |
|                   | APPR: IGUMIN       | 2006/04/24 |
| REV               | DESCRIPTION        |            |

|                 |  |
|-----------------|--|
| QUALITY SYMBOLS | GENERAL TOLERANCES (UNLESS SPECIFIED)                |
| ▽=0             | 4 PLACES ± --- ± ---                                 |
| ▽=0             | 3 PLACES ± --- ± ---                                 |
|                 | 2 PLACES ± --- ± ---                                 |
|                 | 1 PLACE ± --- ± ---                                  |
|                 | ANGULAR ±1/2°  |
|                 | DRAFT WHERE APPLICABLE MUST REMAIN WITHIN DIMENSIONS |

|                 |       |                                   |                        |
|-----------------|-------|-----------------------------------|------------------------|
| DIMENSION STYLE | SCALE | DESIGN UNITS                      | THIRD ANGLE PROJECTION |
| IN/MM           | 4:1   | INCH                              |                        |
| DRAWN BY        | DATE  | TITLE                             |                        |
| CHECKED BY      | DATE  | BLC ADAPTER ASSEMBLY (4 POSITION) |                        |
| APPROVED BY     | DATE  | MATERIAL NO.                      | DOCUMENT NO.           |
|                 |       | SEE TABLE                         | 86144-XX00CD           |
|                 |       | SIZE B                            | SHEET NO.              |
|                 |       |                                   | 1 OF 1                 |

|   |  |              |  |
|---|--|--------------|--|
| MATERIAL NO.  |  | DOCUMENT NO. |  |
| SEE TABLE   |  | 86144-XX00CD |  |
| THIS DRAWING CONTAINS INFORMATION THAT IS PROPRIETARY TO MOLEX INCORPORATED AND SHOULD NOT BE USED WITHOUT WRITTEN PERMISSION |  |              |  |

|                                   |  |              |  |
|-----------------------------------|--|--------------|--|
| BLC ADAPTER ASSEMBLY (4 POSITION) |  |              |  |
| MOLEX INCORPORATED                |  |              |  |
| MATERIAL NO.                      |  | DOCUMENT NO. |  |
| SEE TABLE                         |  | 86144-XX00CD |  |
| SIZE B                            |  | SHEET NO.    |  |
|                                   |  | 1 OF 1       |  |