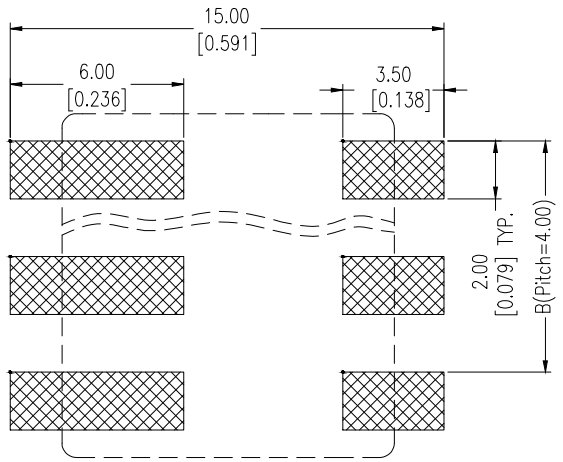
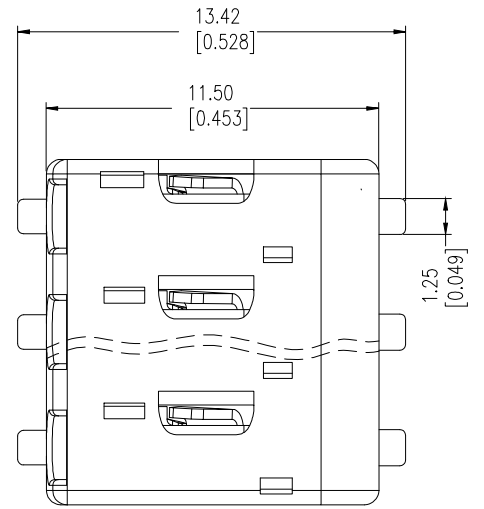


	1	2	3	4	5	6	7	
--	---	---	---	---	---	---	---	--

A
B
C
D
E
F
G
H

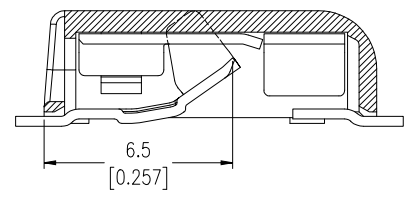
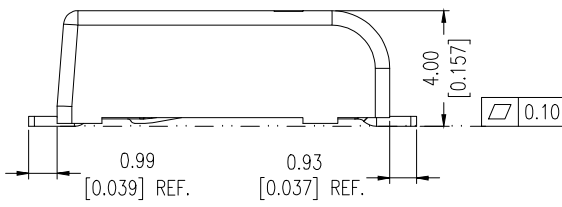
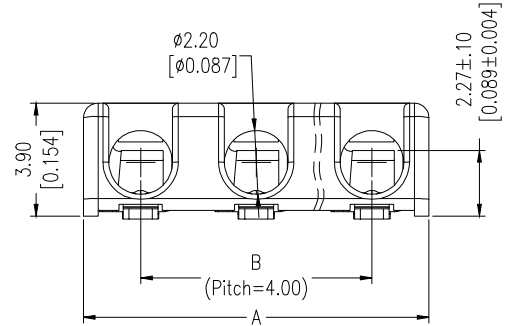


Recommended P.C.B Layout (Top Side)
(PCB BOARD TOLERANCE ±0.05)



- ① Notes:
 Rated current: 3~9 AMP
 Contact resistance: 20MΩ max.
 ④ Withstand voltage: 600 VDC/VAC
 Insulation resistance: 1000MΩ min.
 Operation temperature: -40°C to +105°C
 Solder Temperature: 260°C, 5s
 - Solid Wire: AWG #20~#18
 - Strand Wire: AWG #20~#18
 ④ -Max insulator OD:2.05mm
- Contact material: Phosphor Bronze
 ③ Contact plating: 100~200u" Matte Tin plated over 50u" Nickel
 Insulator material: LCP+30%G.F UL94V-0 White Color

3	11.95	8.00
2	7.90	4.00
1	3.95	/
PIN	A	B



RoHS compliant
Unit: mm



Scale	Free						Date	Name	Customer-No.
TOLERANCE		④	Update	21.06.2019	Winnie	Drawn	28.01.2016	Ray	ASSMANN WSW-No. AWBR-400-xx-SR1
.X	±0.40	③	Add the color of insulator	11.04.2018	Winnie	Approved	21.06.2019	Winnie	
.XX	±0.25	②	Add the UL File No.	27.07.2017	Winnie				
.XXX	±0.15	①	Update note	17.08.2016	Ray				Drawing-No.
DIM	TOL	①	Update note	17.08.2016	Ray				ASS 7121 CO
Angle	±1.5°	①	Update note	17.08.2016	Ray				rev04
		①	Drawn	28.01.2016	Ray				Replace
		①	Id.	Modification	Date	Name			Sheet



	1	2	3	4	5	6	7	SV4060
--	---	---	---	---	---	---	---	--------