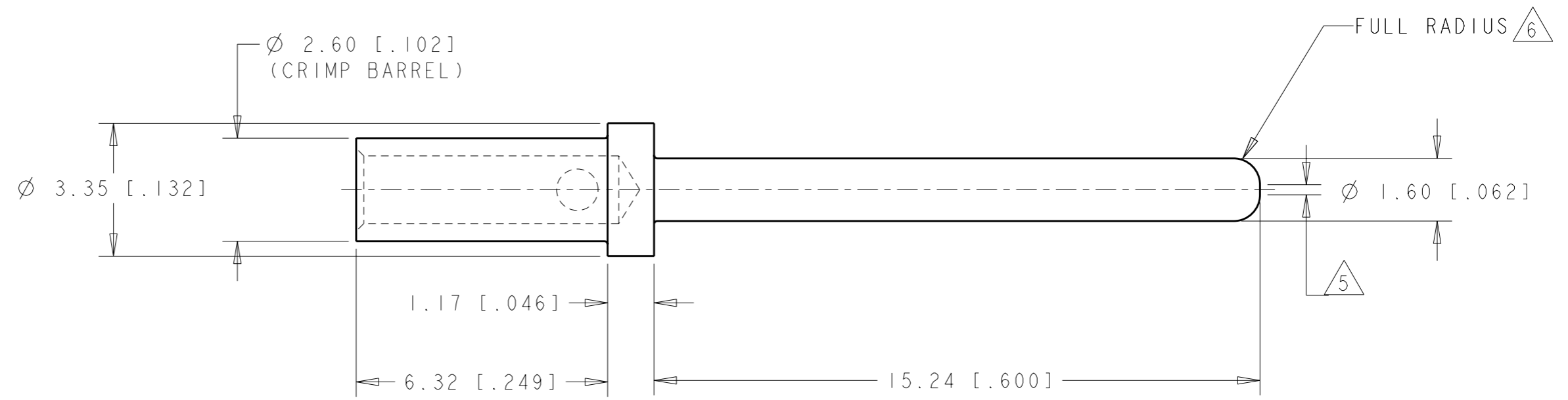


THIS DRAWING IS UNPUBLISHED. RELEASED FOR PUBLICATION 20
 © COPYRIGHT 20 BY TYCO ELECTRONICS CORPORATION. ALL RIGHTS RESERVED.

LOC	DIST	REVISIONS			
P	LTR	DESCRIPTION	DATE	DWN	APVD
GP	00				
	A	INITIAL RELEASE	29JAN2007	GIP	DO
	B	REV PER ECO-08-008886	12AUG2008	RG	DO



- PART NUMBER CHANGES AND/OR DESIGN CHANGES AFFECTING ITEM INTERCHANGEABILITY REQUIRE PRIOR TYCO ELECTRONICS APPROVAL AND AUTHORIZATION BY REVISION TO THIS DRAWING.
- ITEMS PROVIDED TO THIS SPECIFICATION SHALL BE IDENTIFIED ON THE CONTAINER WITH THE FOLLOWING INFORMATION: PART NUMBER & DATE CODE OF MANUFACTURE.
- MATERIAL: LEADED COPPER ALLOY
- FINISH: GOLD .000010 MIN. THICK OVER NICKEL .000050 MIN. THICK.

5 .035 MAX. FLAT ALLOWED AT TIP
 6 SMOOTH TRANSITION REQUIRED BETWEEN RADIUS AND CONTACT PIN SURFACE AT THIS LOCATION.

PART NUMBER	DESCRIPTION
1650160-6	SIZE #16, COLD-HEADED VERSION, GOLD PLATED
1650160-2	SIZE #16, MACHINED VERSION, GOLD PLATED

<small>THIS DRAWING IS A CONTROLLED DOCUMENT FOR TYCO ELECTRONICS CORPORATION IT IS SUBJECT TO CHANGE AND THE CONTROLLING ENGINEERING ORGANIZATION SHOULD BE CONTACTED FOR THE LATEST REVISION.</small>		DWN G.PETERS 29JAN2007 CHK D.ORRIS 29JAN2007 APVD S.FLICKINGER 29JAN2007	Tyco Electronics Harrisburg, PA 17105-3608
DIMENSIONS: mm [INCHES]	TOLERANCES UNLESS OTHERWISE SPECIFIED: 0 PLC ±- 1 PLC ±0.5 2 PLC ±.01 [.3] 3 PLC ±.005 [.13] 4 PLC ±0.0001 ANGLES ±3	NAME CONTACT, PIN, #16 CRIMP REMOVABLE	SIZE A3 CAGE CODE 00779 DRAWING NO C-1650160
MATERIAL SEE NOTE	FINISH -	WEIGHT -	RESTRICTED TO -
CUSTOMER DRAWING		SCALE	SHEET OF REV B