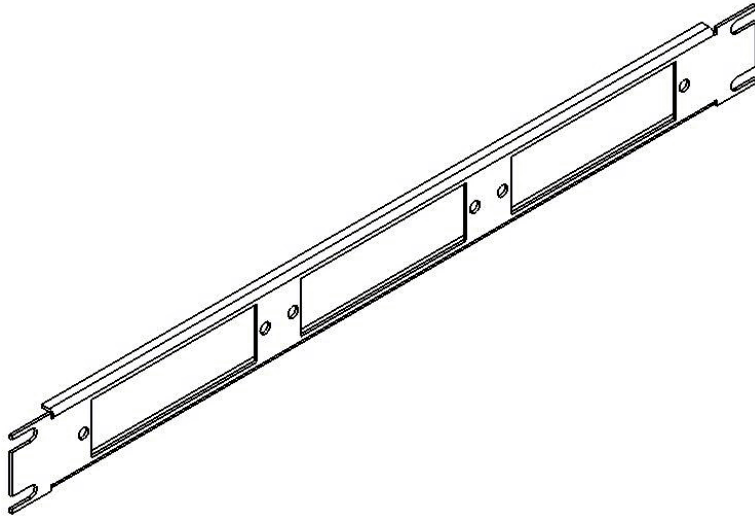


FIS 1 RU FLUSH MOUNT PATCH PANEL



FEATURES

- 19" rack mountable
- Accepts 3 LGX style adapter plates, modules or cassettes
- Flush Mount
- Dimensions: 19"W x 1.75" H
- Powder coated 0.60" Aluminum

SPECIFICATIONS

Dimension	19"W x 1.75" H
Capacity	3 LGX Style Plates
Material	.060" Aluminum
Coating	Electro Statically Applied Powder Coat; Available in Black or Off-White

ORDERING INFORMATION

F1-FM1RU3X	3-Panel w/Black Powder Coat
F1-FM1RU3X-BW	3-Panel w/Off-White Powder Coat

TECH DRAWING

