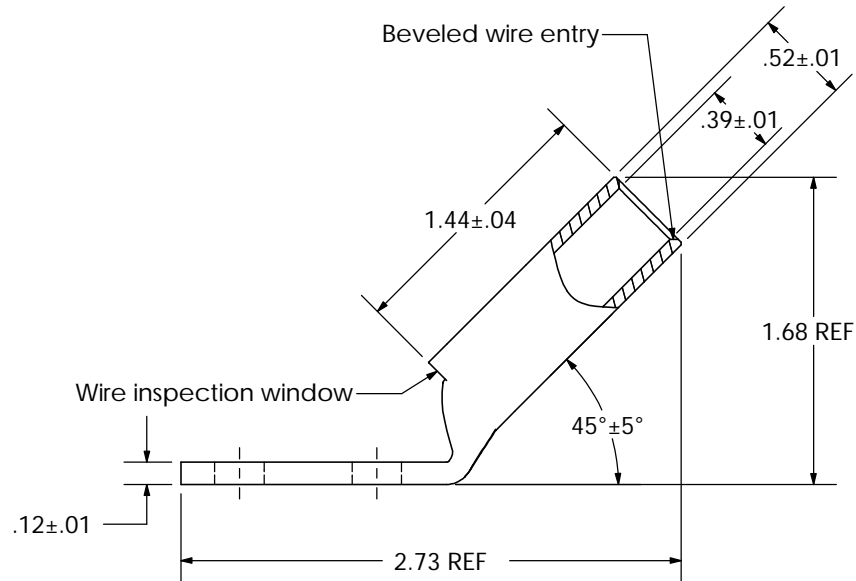
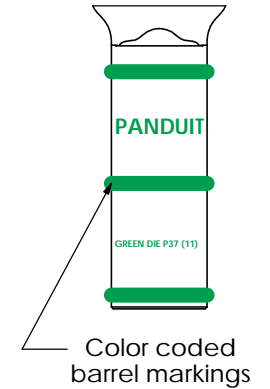
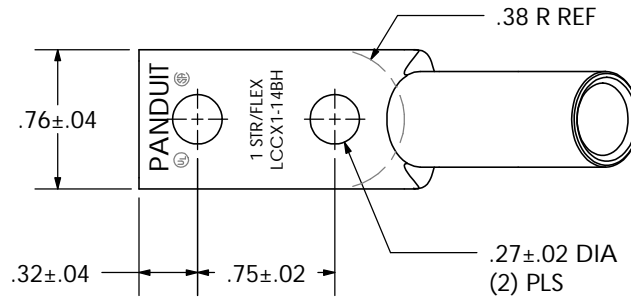


THIS COPY IS PROVIDED ON A RESTRICTED BASIS AND IS NOT TO BE USED IN ANY WAY DETRIMENTAL TO THE INTERESTS OF PANDUIT CORP.

| | |
|--|--|
| Material | High Conductivity Seamless Copper Tube |
| Plating | Electro-Tin |
| Wire Size | 1 STR/FLEX |
| Wire Type | Stranded Copper: Class B & C, Compact, Class G, H, I, K, M, Locomotive |
| Wire Strip Length | 1-1/2 in. |
| Stud Size | 1/4 in. |
| UL Listed Wire Connector | Yes, for applications up to 35kv. Consult cable manufacturer for voltage stress relief instructions with applications greater than 2000 volts. |
| UL Temperature Rating | 90° C |
| C.S.A Certified Wire Connector | Yes |
| Panduit Color Code on Barrel | GREEN |
| Panduit Die Index No. on Barrel | P37 |
| Alternate Industry Die Index No. () on Barrel | (11) |



CERTIFIED



LISTED Wire Connector

PANDUIT CORP. TINLEY PARK, ILLINOIS

00 6/03 SAC SAC

RELEASED

10850

LCCX1-14BH-X
Copper Lug - Two-Hole, Long Flex Barrel with Window, 45° Angle Tongue

REV DATE BY CHK

DESCRIPTION

ECN

SCALE N/A

DRAWING NO / CAD FILE

LCCX1-14BH-CUST