

6

5

4

3

2

1

E

E

D

D

C

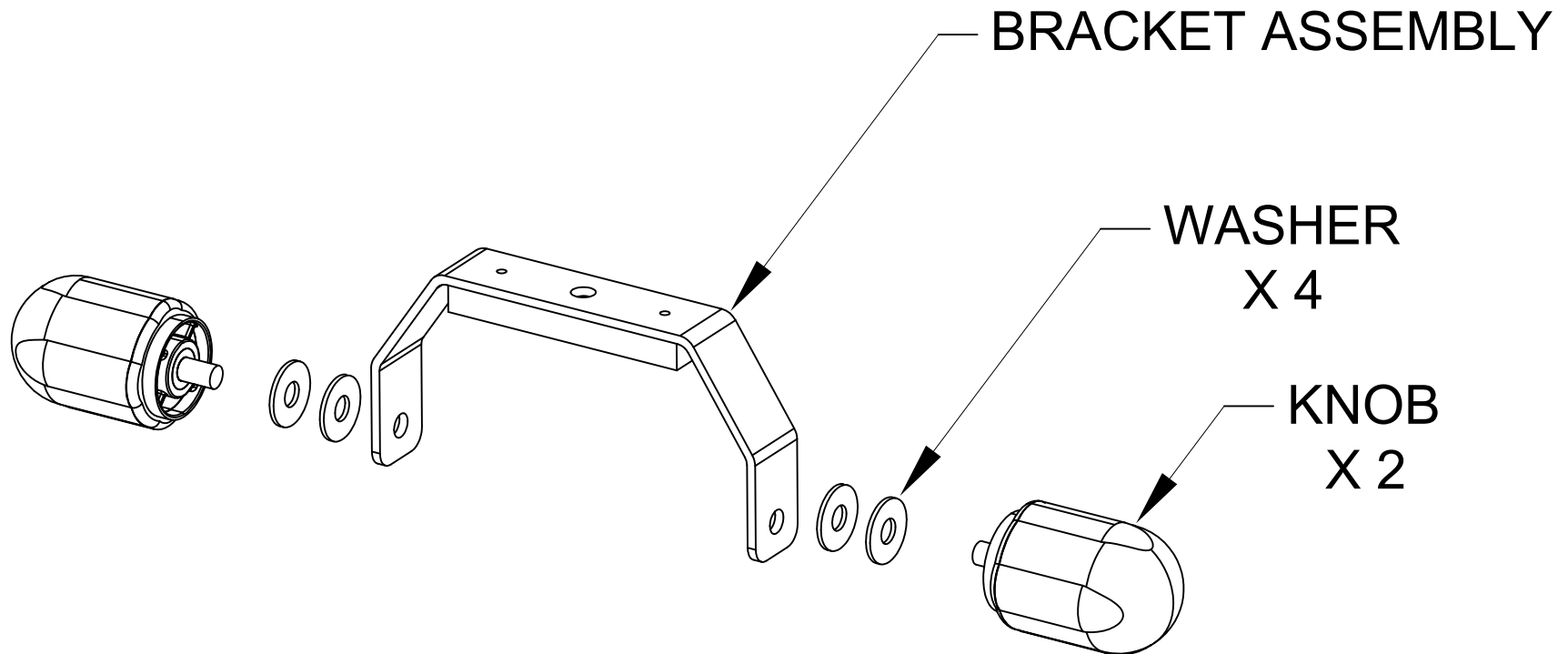
C

B

B

A

A



NOTES:

1. FOR USE WITH MOLEX STANCHION LIGHT SERIES 130289

ADD TWO WASHERS EC NO: WNA2010-0561 DRWN: MCHOJECK CHKD: DT APPR: DTITUS 2010/03/23	DESCRIPTION REV	QUALITY SYMBOLS ▽=0 ∇=0	GENERAL TOLERANCES (UNLESS SPECIFIED)		DIMENSION STYLE INCH		SCALE NTS	DESIGN UNITS INCH	THIRD ANGLE PROJECTION		
				mm	INCH	DRAWN BY MC	DATE 2009/08/28	TITLE BRACKET ASSEMBLY KIT FOR STANCHION LIGHT			
			4 PLACES	±---	±---	CHECKED BY DT	DATE 2009/08/28	MATERIAL NO. 1301800650			
			3 PLACES	±---	±---	APPROVED BY DTITUS	DATE 2010/03/11	DOCUMENT NO. SD-130180-004		SHEET NO. 1 OF 1	
2 PLACES	±---	±---	ANGULAR ±---°		DRAFT WHERE APPLICABLE MUST REMAIN WITHIN DIMENSIONS		THIS DRAWING CONTAINS INFORMATION THAT IS PROPRIETARY TO MOLEX INCORPORATED AND SHOULD NOT BE USED WITHOUT WRITTEN PERMISSION				
1 PLACE	±---	±---									