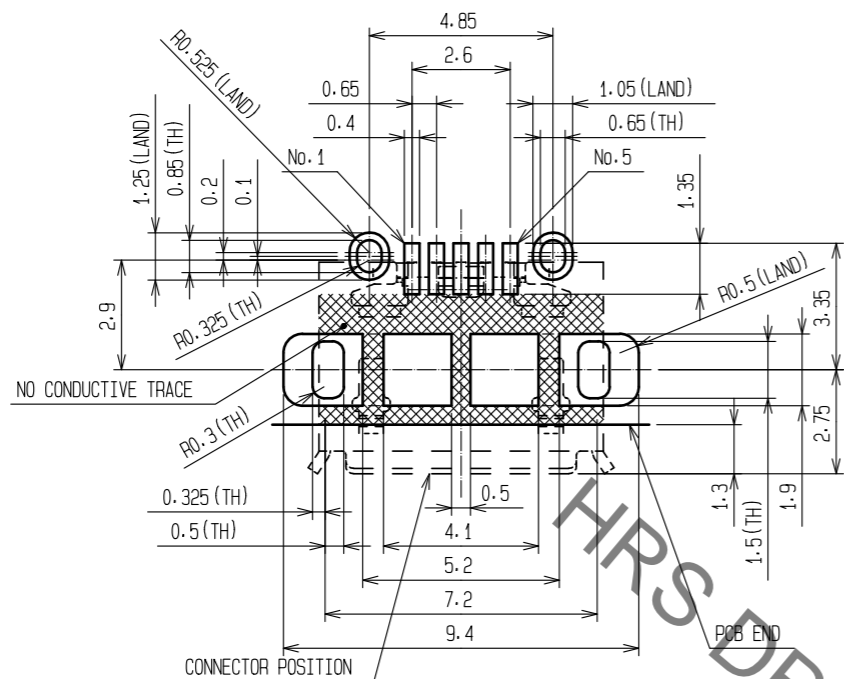


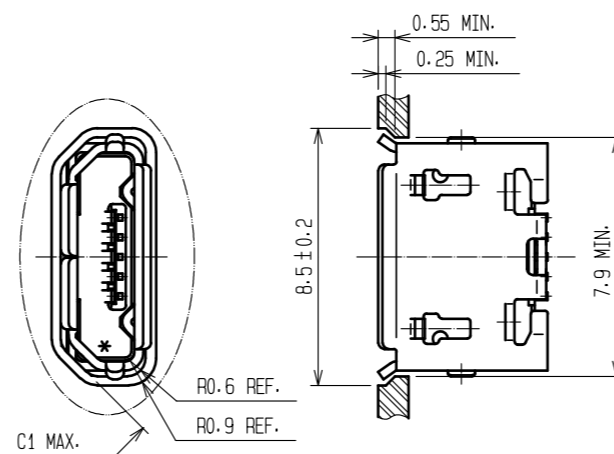
Apr.1.2023 Copyright 2023 HIROSE ELECTRIC CO., LTD. All Rights Reserved.
In case of consideration for using Automotive equipment / device which demand high reliability, kindly contact our sales window correspondents.

RECOMMENDED PC BOARD PATTERN



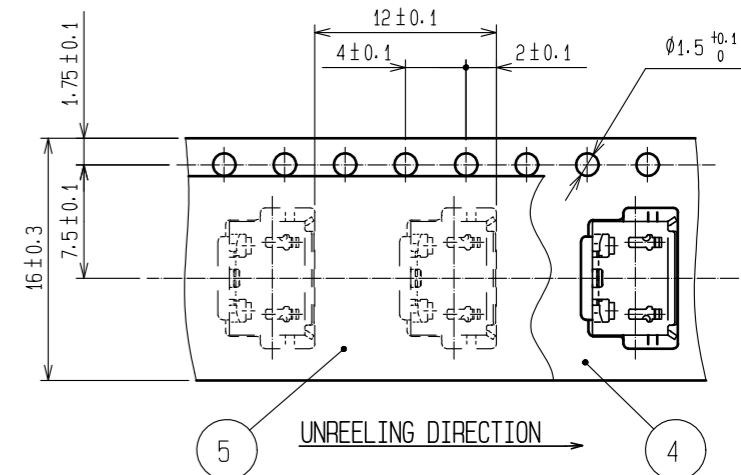
GENERAL TOLERANCE IS $\pm 0.05\text{mm}$

RECOMMENDED PANEL CUTOUT (4:1)

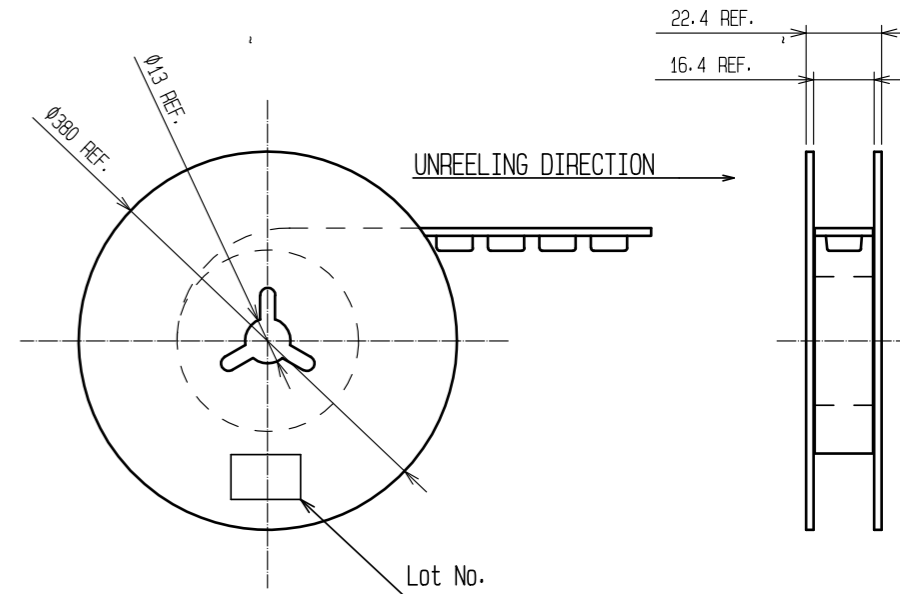
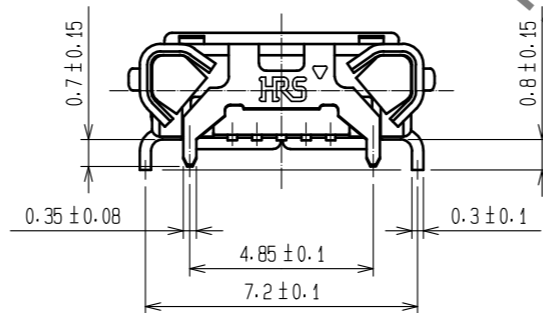
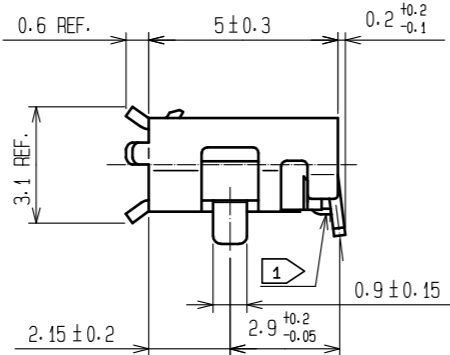
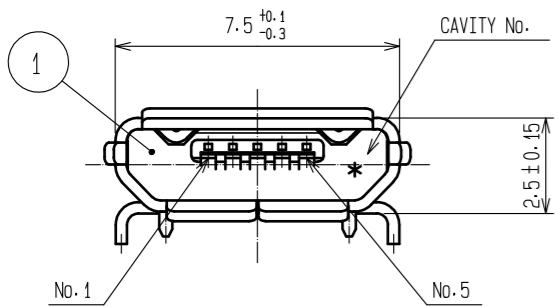
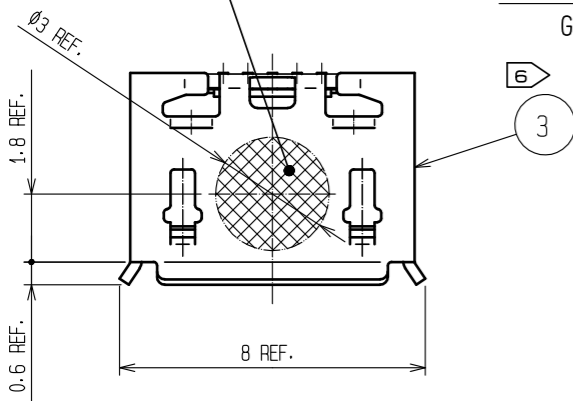


MATED WITH CORRESPONDING PLUG (4:1)

DRAWING FOR PACKING (FREE)



PICK & PLACE AREA



- NOTES.
- 1 CO-PLANARITY IS WITHIN 0.08mm MAX.
 - 2 PLATING
CONTACT AREA :GOLD 0.75 μm MIN.
LEAD AREA :GOLD 0.05 μm MIN.
UNDER PLATING:NICKEL 2 μm MIN.
 - 3 PER REEL : 2000 pcs.
 4. INTERFACE DIMENSIONS TO USB2.0 SPECIFICATION.
 5. AS FOR PART No.3, THE PERFORMANCE REMAINS GOOD EVEN IF THERE IS A RUBBING WOUND BY THE ASSEMBLY PROCESS.
 6. AS FOR PART No.3, THERE IS NO PROBLEM ON THE QUALITY THOUGH THERE MIGHT BE A DIFFERENCE IN THE COLOR DEPENDING ON THE PLATING PROCESSING LOT.

| | | | | | | | |
|--------------------------------------|--------------|---------------------------|----------|------------------------------|--|---------|------|
| 2 | COPPER ALLOY | | 5 | PE | | | |
| 1 | LCP | BLACK UL94V-0 | 4 | PS | | | |
| | | | 3 | STAINLESS STEEL | TIN PLATING 1 μm MIN. LUBRICANT | | |
| NO. | MATERIAL | FINISH . REMARKS | NO. | MATERIAL | FINISH . REMARKS | | |
| UNITS | | SCALE | COUNT | DESCRIPTION OF REVISIONS | DESIGNED | CHECKED | DATE |
| mm | | 5 : 1 | | | | | |
| HRS HIROSE ELECTRIC CO., LTD. | | APPROVED : NM. NISHIMATSU | 15.10.27 | DRAWING NO. EDC-126367-30-00 | | | |
| | | CHECKED : KN. ICHIKAWA | 15.10.27 | PART NO. ZX62D-B-5P8(30) | | | |
| | | DESIGNED : TS. ITO | 15.10.27 | CODE NO. CL242-0034-0-30 | | | |
| | | DRAWN : AK. AKIYAMA | 15.10.27 | | | | |