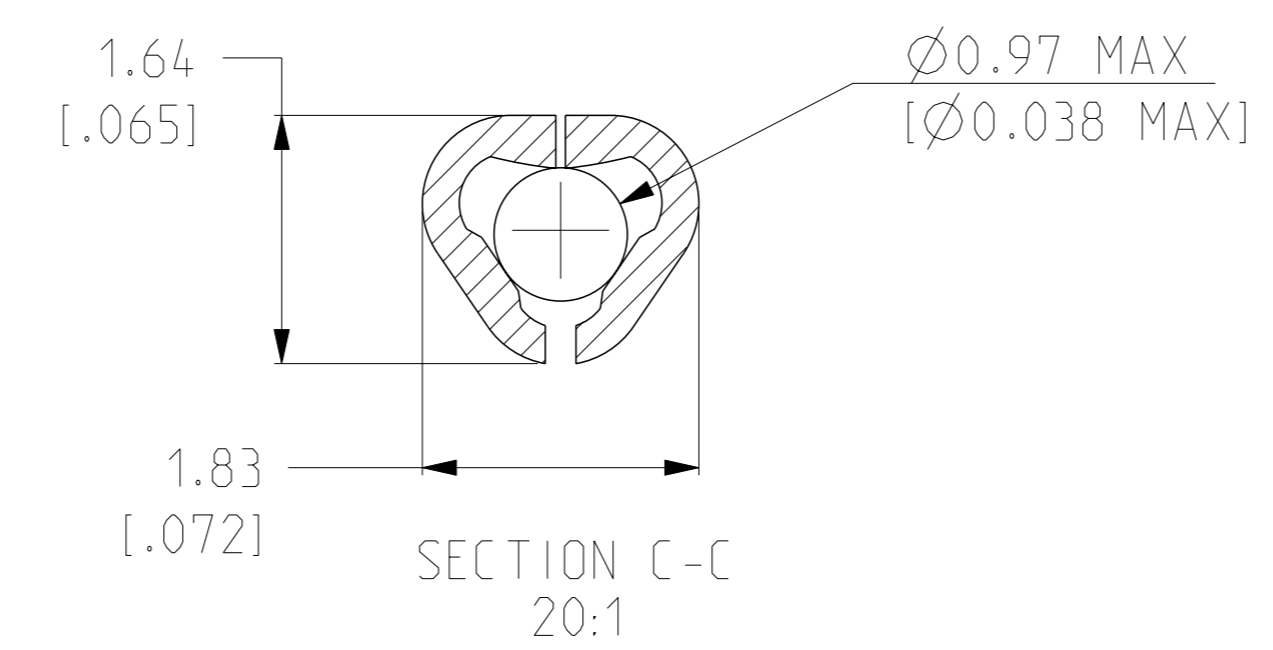
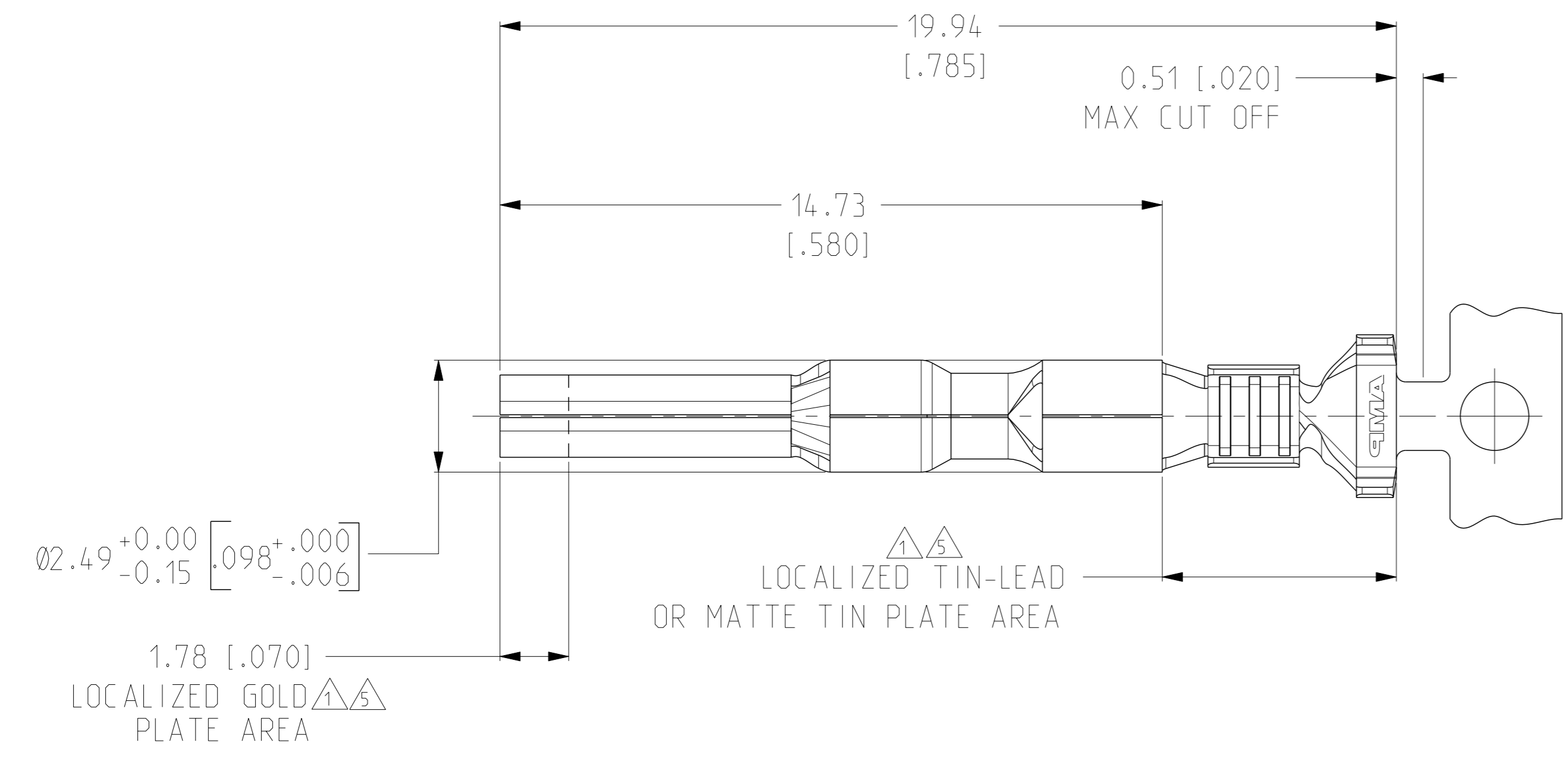
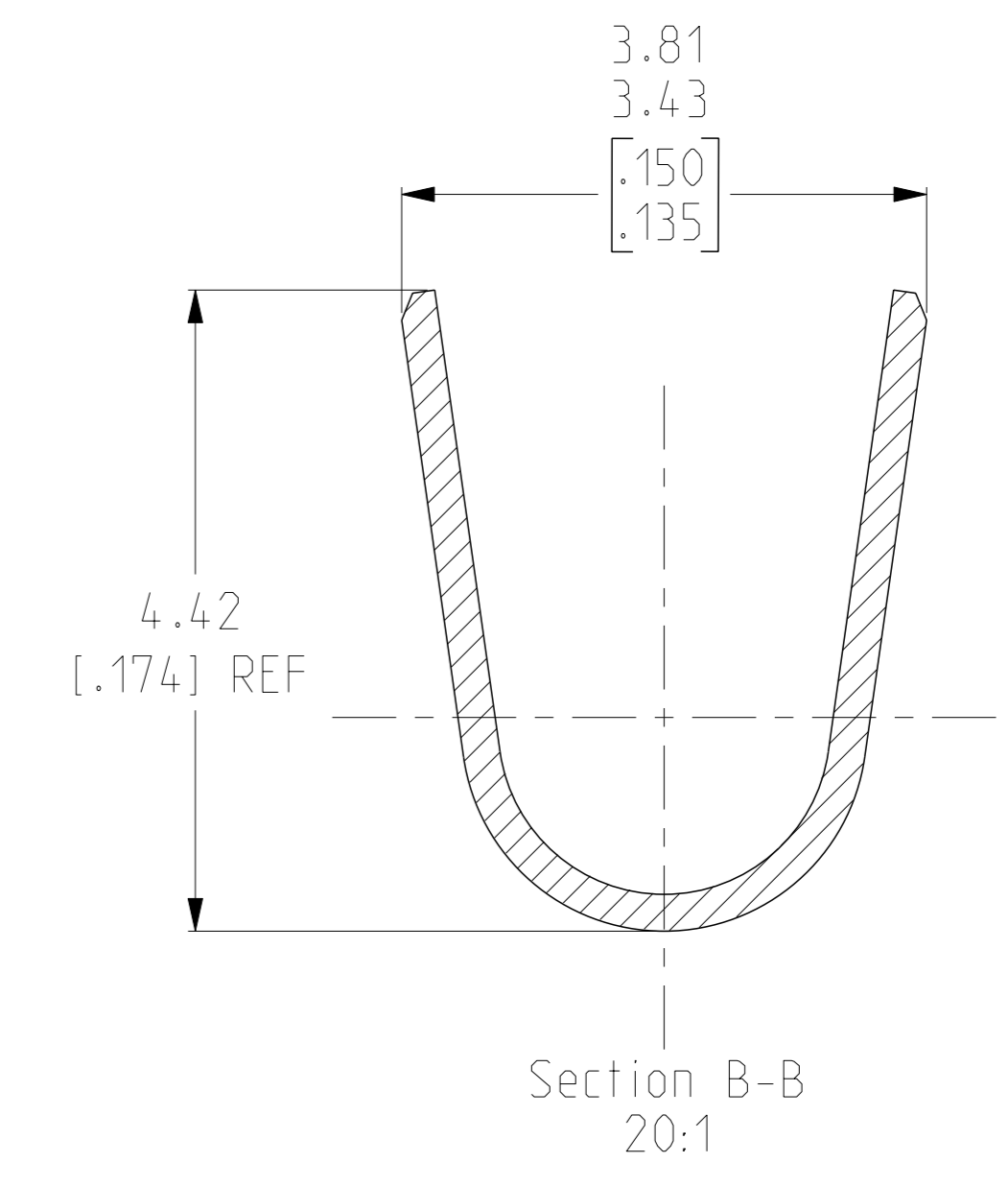
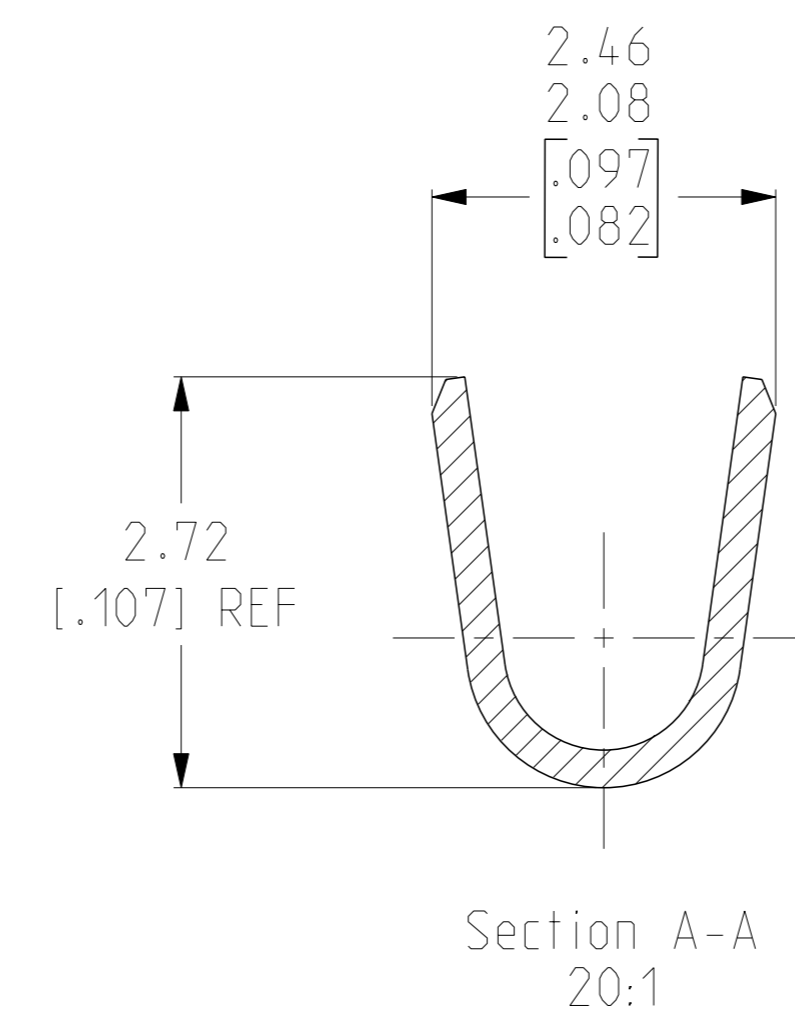
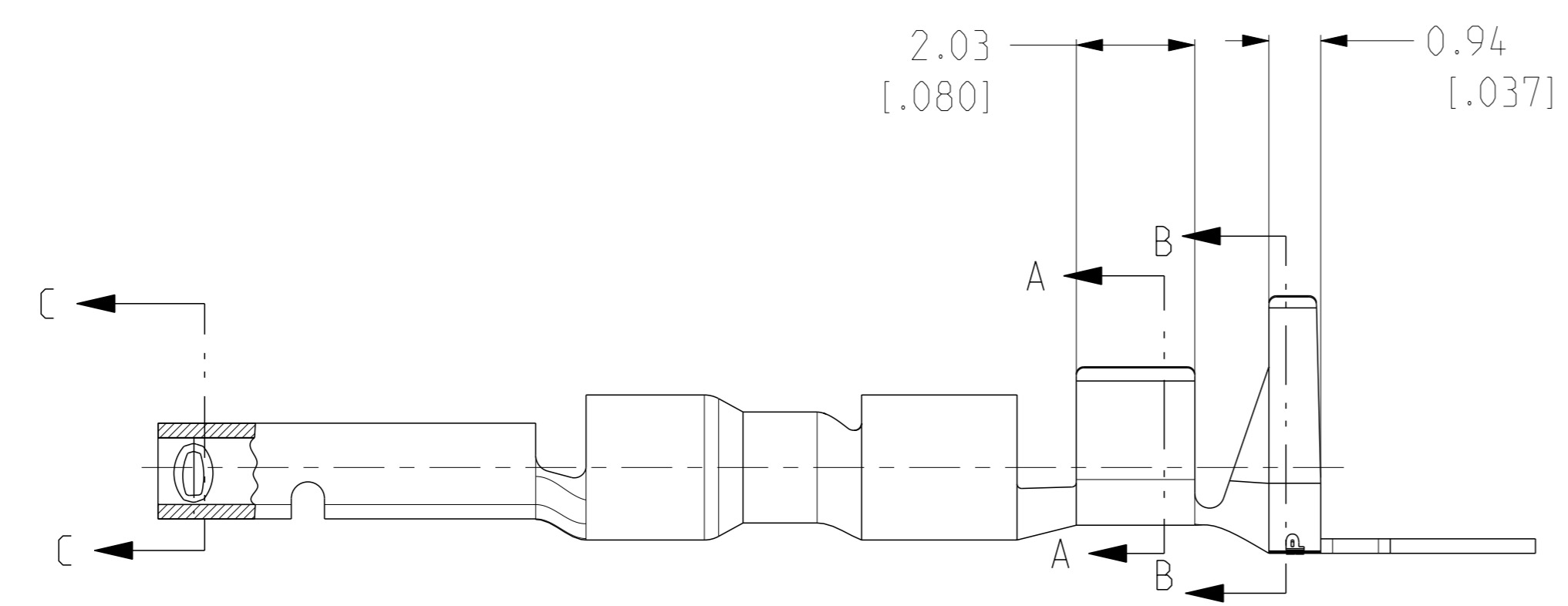


REVISIONS					
#	DATE	DESCRIPTION	DATE	OWN	APVD
K		REDRAWN PER ECR-17-012487	19NOV2018	BDA	SG
K1		REDRAWN PER ECR-20-100305	13AUG2020	PJ	VS

- 1 0.00076 [.000030] MIN GOLD IN LOCALIZED GOLD PLATE AREA AND 0.00254 [.000100] MIN BRIGHT TIN-LEAD IN LOCALIZED TIN-LEAD PLATE AREA OVER 0.0013 [.000050] MIN NICKEL.
- 2 WIRE RANGE: 0.3-0.9MM<sup>2</sup> (22-18 AWG).
- 3 INSULATION RANGE: 1.50-2.39 [.059-.094] DIA.
- 4 DIMENSIONS IN BRACKETS ARE IN INCHES.
- 5 0.00076 [.000030] MIN GOLD IN LOCALIZED GOLD PLATE AREA AND 0.00254 [.000100] MIN MATTE TIN IN LOCALIZED TIN PLATE AREA OVER 0.0013 [.000050] MIN NICKEL.



1	0.25 [.010] BRASS	1-794221-0
2	0.25 [.010] BRASS	794221-3
PRE TIN	0.25 [.010] BRASS	794221-1
FINISH	MATERIAL	PART NUMBER

THIS DRAWING IS A CONTROLLED DOCUMENT.

DIMENSIONS:	TOLERANCES UNLESS OTHERWISE SPECIFIED:	OWN	R. VESTAL	1-15-97
mm [INCHES]	0 PLC ±	CHK	R. SWING	1-15-97
	1 PLC ±	APVD	R. SWING	1-15-97
	2 PLC ±	PRODUCT SPEC		
	3 PLC ±	APPLICATION SPEC		
	4 PLC ±	WEIGHT		
	ANGLES	SCALE	5:1	
	FINISH	SHEET	1	OF 1
MATERIAL	SEE TABLE	CUSTOMER DRAWING		REV K1

NAME: SOCKET, MINI UNIVERSAL MATE-N-LOK 2  
 SIZE: A1  
 CAGE CODE: 00779  
 DRAWING NO: 794221  
 RESTRICTED TO: CUSTOMER DRAWING