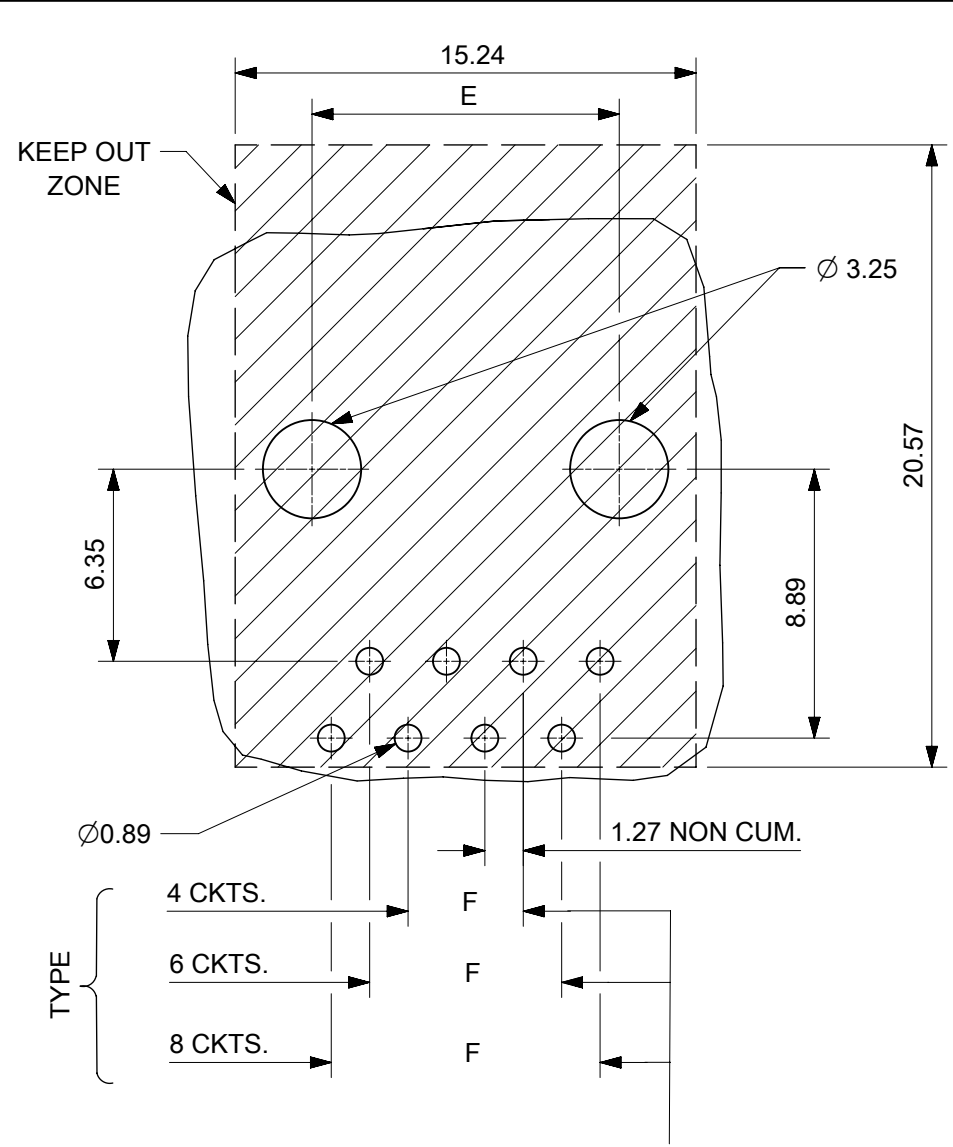
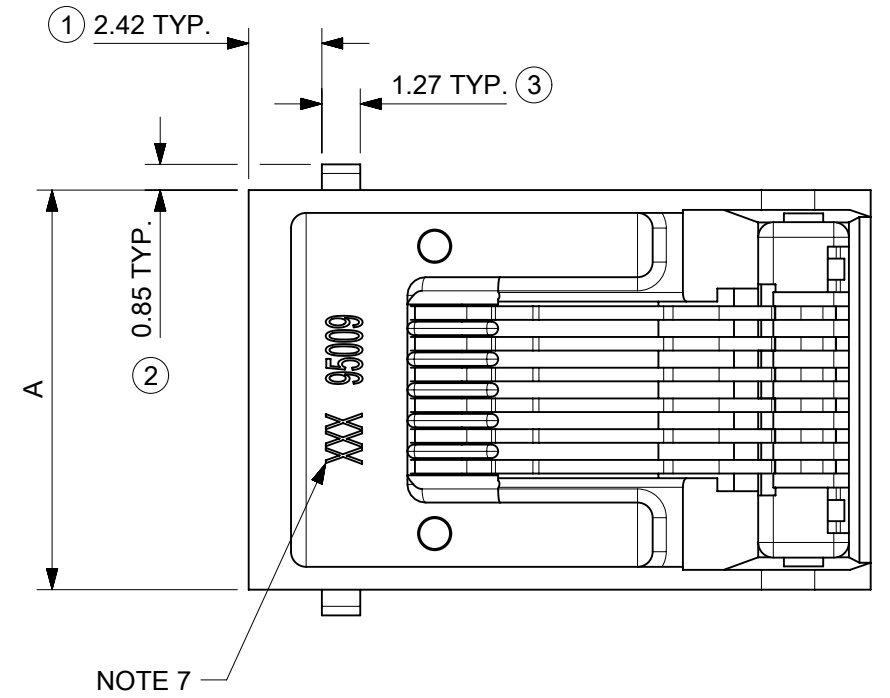
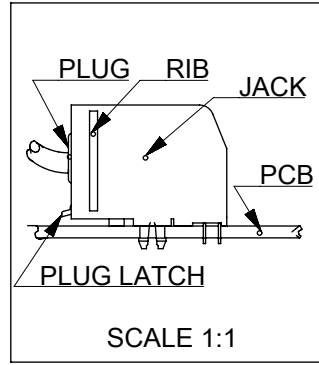


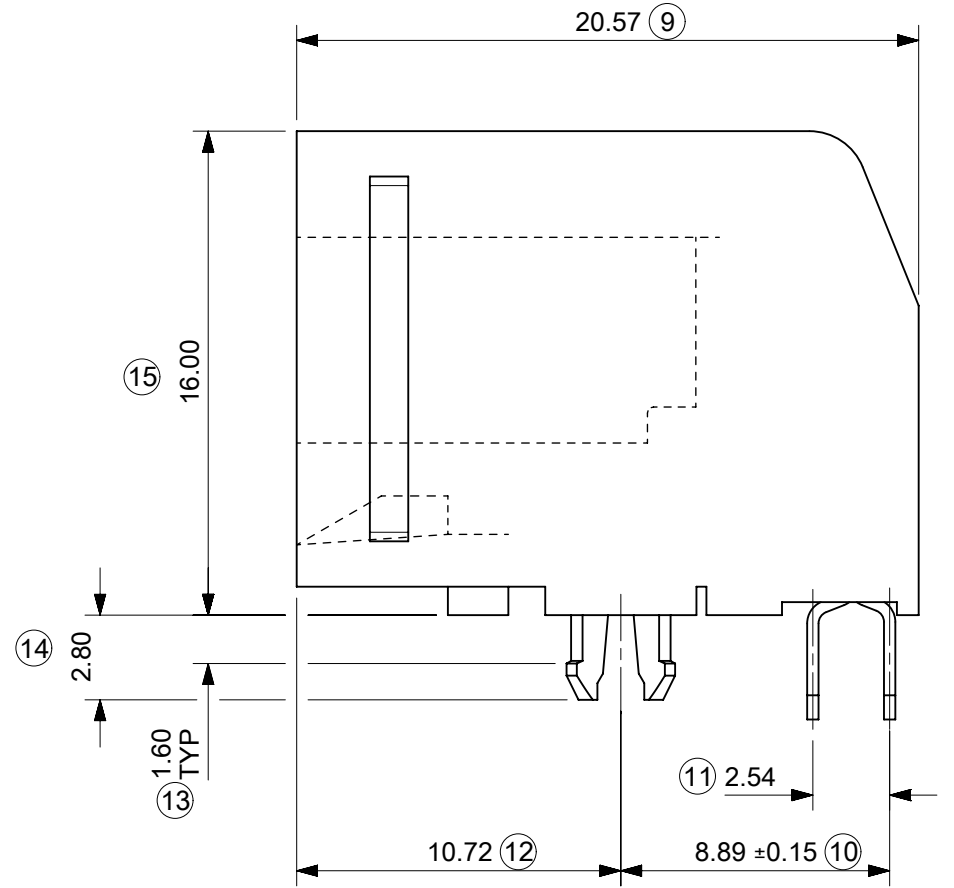
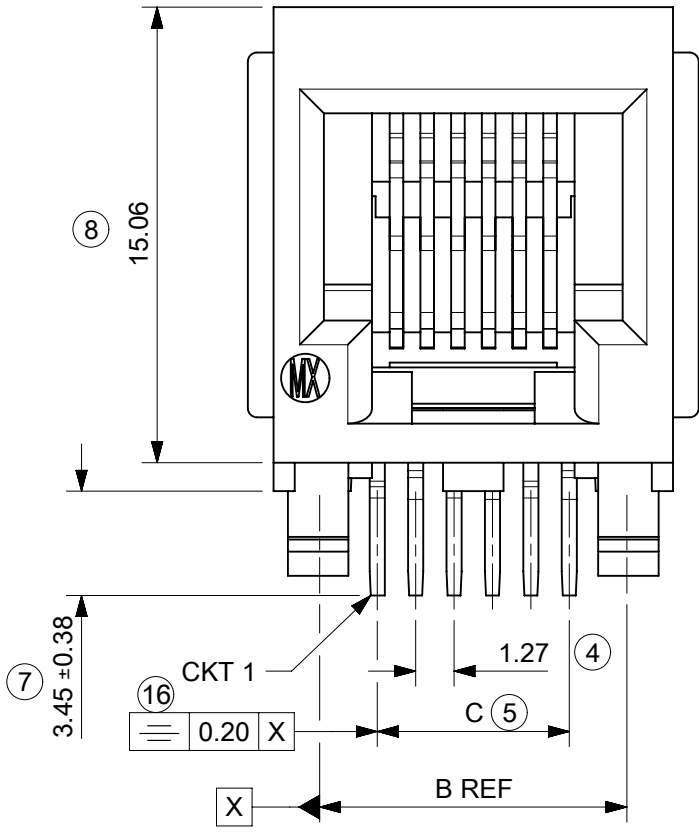
NOTES:

1. MATERIAL: POLYESTER FIBER GLASS FILLED UL 94-V0
COLOR BLACK
- TERMINAL: COPPER ALLOY
- PLATINGS: BASE FINISH: NICKEL
CONTACT SURFACE FINISH:
GOLD
OR
GOLD FLASH OVER PALLADIUM NICKEL
EXCEEDS PRODUCT REQUIREMENTS BASED ON PS-95009-001
2. PC BOARD THICKNESS: 1.57
3. JACK FOR MATING WITH IEC-60603-7 AND TIA-1096-A
MOLEX 90075 SERIES PLUGS
4. PRODUCT SPECIFICATION PS-95009-001
5. APPLICATION SPECIFICATION AS-95001
6. PACKAGING SPECIFICATION PK-95029
7. MANUFACTURING I.D. CAN BE MXF, MG, MXI OR MXCH

INSPECTION NUMBERS USED: 1 - 50
LAST INSPECTION NUMBER: 16
REMOVED INSPECTION NO: 6

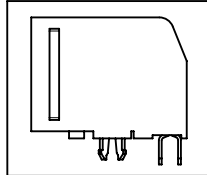


MOUNTING HOLE PATTERNS
(SEE FROM COMPONENT SIDE)
ALL DIMENSIONS REF DIMENSIONS

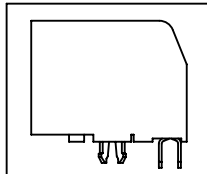


| | | | | | | | | | |
|---|--|------------------------|--|---|--|------------|--|---------------------------------------|--|
| THIS DRAWING CONTAINS INFORMATION THAT IS PROPRIETARY TO MOLEX ELECTRONIC TECHNOLOGIES, LLC AND SHOULD NOT BE USED WITHOUT WRITTEN PERMISSION | | | | | | | | | |
| DIMENSION UNITS mm | | SCALE 4:1 | | CURRENT REV DESC: REMASTERED USING 3D MODELS | | | | | |
| GENERAL TOLERANCES (UNLESS SPECIFIED) | | | | <p>molex</p> <p>FLUSH MOUNT RIGHT ANGLE MODULAR JACK ASSEMBLY THROUGH HOLE VERSION</p> <p>PRODUCT CUSTOMER DRAWING</p> | | | | | |
| ANGULAR TOL ± 0.5° | | | | | | | | | |
| 4 PLACES ± | | EC NO: 686855 | | DRWN: AKUMAR19 | | 2021/08/12 | | DOCUMENT NUMBER | |
| 3 PLACES ± | | CHK'D: KLANG | | APPR: KLANG | | 2022/01/17 | | SDA-95009-F | |
| 2 PLACES ± 0.25 | | INITIAL REVISION: | | DRWN: RFC_PLMIMP | | 2018/11/02 | | DOC TYPE DOC PART REVISION | |
| 1 PLACE ± 0.35 | | APPR: KNOLLER | | DRWN: RFC_PLMIMP | | 2004/11/15 | | PSD 001 L2 | |
| 0 PLACES ± | | THIRD ANGLE PROJECTION | | DRAWING | | SERIES | | MATERIAL NUMBER CUSTOMER SHEET NUMBER | |
| DRAFT WHERE APPLICABLE MUST REMAIN WITHIN DIMENSIONS | | | | A3-SIZE | | 95009 | | SEE CHART GENERAL MARKET 1 OF 2 | |

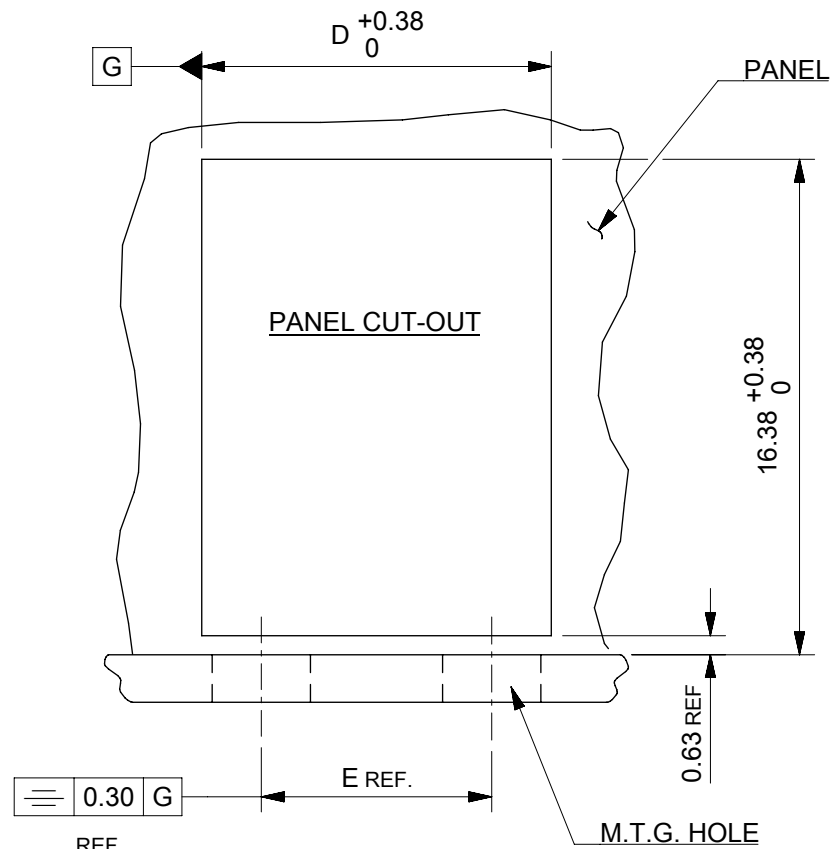
PART NUMBERS FOR JACK WITH RIBS

|  | TYPE | POS. 4 | TOOLED | POS. 6 | TOOLED | POS. 6 | TOOLED | POS. 8 | TOOLED |
|---|----------|------------|--------|------------|--------|------------|--------|------------|--------|
| | PLATING | 4 CKTS. | TOOLED | 4 CKTS. | TOOLED | 6 CKTS. | TOOLED | 8 CKTS. | TOOLED |
| | FINISH 7 | 95009-7441 | X | 95009-7641 | X | 95009-7661 | X | 95009-7881 | X |

PART NUMBERS FOR JACK WITHOUT RIBS

|  | TYPE | POS. 4 | TOOLED | POS. 6 | TOOLED | POS. 6 | TOOLED | POS. 8 | TOOLED |
|---|----------|---------|--------|------------|--------|------------|--------|------------|--------|
| | PLATING | 4 CKTS. | TOOLED | 4 CKTS. | TOOLED | 6 CKTS. | TOOLED | 8 CKTS. | TOOLED |
| | FINISH 7 | N/A | X | 95009-2647 | X | 95009-7667 | X | 95009-7887 | X |

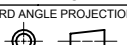
SUGGESTED BOARD LAYOUT
ALL DIMENSIONS ARE REFERENCE DIMENSIONS



| TYPE | POS. 4 | POS. 6 | | POS. 8 |
|---------|---------|---------|---------|---------|
| | 4 CKTS. | 4 CKTS. | 6 CKTS. | 8 CKTS. |
| PLATING | | | | |
| A | 11.18 | 13.21 | 13.21 | 15.24 |
| B | 7.62 | 10.16 | 10.16 | 11.43 |
| C | 3.81 | 3.81 | 6.35 | 8.89 |
| D | 11.56 | 13.59 | 13.59 | 15.62 |
| E | 7.62 | 10.16 | 10.16 | 11.43 |
| F | 3.81 | 3.81 | 6.35 | 8.89 |

NOTES:

INSPECTION NUMBERS USED: 51 - 100
LAST INSPECTION NUMBER: 53

| | | | | | |
|---|------------|---|---------|--------------------------|----------------|
| THIS DRAWING CONTAINS INFORMATION THAT IS PROPRIETARY TO MOLEX ELECTRONIC TECHNOLOGIES, LLC AND SHOULD NOT BE USED WITHOUT WRITTEN PERMISSION | | CURRENT REV DESC: REMASTERED USING 3D MODELS | | molex | |
| DIMENSION UNITS | SCALE | EC NO: 686855 | | | |
| mm | 4:1 | DRWN: AKUMAR19 2021/08/12 | | PRODUCT CUSTOMER DRAWING | |
| GENERAL TOLERANCES (UNLESS SPECIFIED) | | CHK'D: KLANG 2022/01/17 | | DOCUMENT NUMBER | |
| ANGULAR TOL $\pm 0.5^\circ$ | | APPR: KLANG 2022/01/17 | | SDA-95009-F | |
| 4 PLACES | \pm | INITIAL REVISION: | | DOC TYPE | DOC PART |
| 3 PLACES | \pm | DRWN: RFC_PLMIMP 2018/11/02 | | PSD | 001 |
| 2 PLACES | ± 0.25 | APPR: KNOLLER 2004/11/15 | | REVISION | |
| 1 PLACE | ± 0.35 | DRAFT WHERE APPLICABLE MUST REMAIN WITHIN DIMENSIONS | | L2 | |
| 0 PLACES | \pm | THIRD ANGLE PROJECTION | DRAWING | MATERIAL NUMBER | CUSTOMER |
| | |  | A3-SIZE | 95009 | GENERAL MARKET |
| | | | | SHEET NUMBER | 2 OF 2 |