



## Oscar 420

3G/4G/WiFi MIMO Omni-directional Antenna

### Key Features

- Weatherproof and UV Resistant
- MIMO Antenna
- 7dBi Peak Gain



### General Description

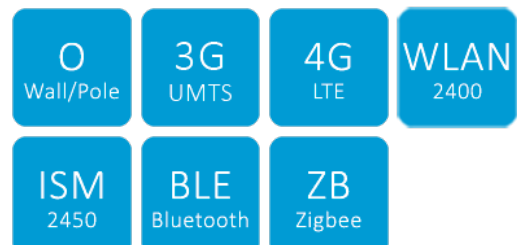
The Oscar 420 is a great antenna covering many popular frequencies in use today. Its radome is UV and water resistant making it a great outdoor antenna.

Fitted with 0.4M RG58 tails ready for connection to standard or low loss cable for extended distance to the Transmitter/Receiver.

The Oscar 420 is fitted with an aluminium bracket for wall mounting and comes supplied with a clamp for fitting to a standard mast.

### Additional Considerations

- Water and UV resistant
- Covers a wide range of frequencies





## Oscar 420

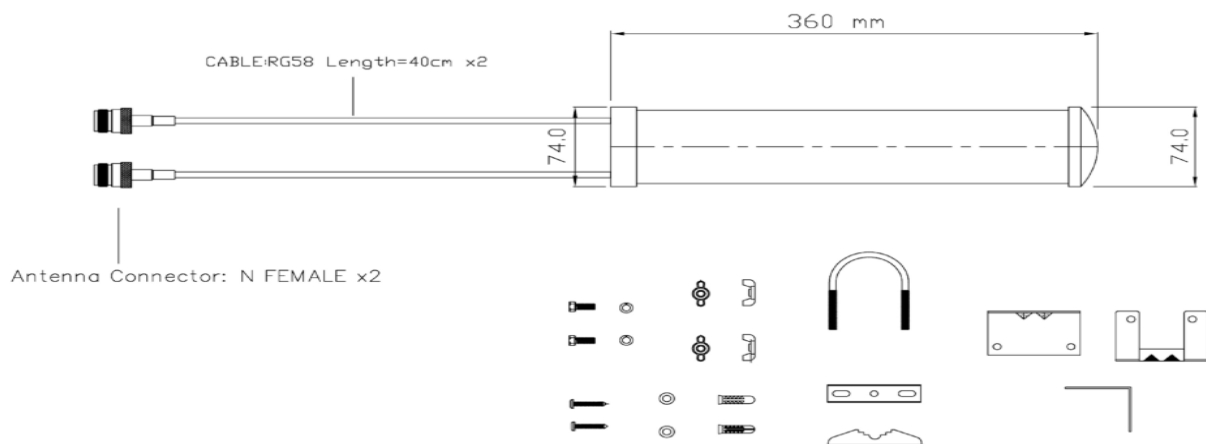
3G/4G/WiFi MIMO Omni-directional Antenna

### Electrical Specifications

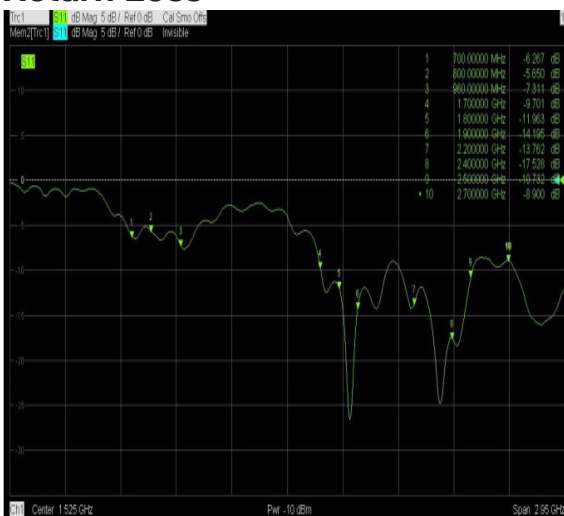
Temperature range:	-30 - +70°C
Gain:	700-960MHz 3dBi 1700-2700MHz 7dBi
VSWR:	<=3.2
Frequency range:	700-960MHz 1700-2700MHz
Polarization:	Vertical
Wind Load:	120Km/h

### Mechanical Specifications

Dimensions:	L360 x W74 x H74mm Ø
Connector:	N Female x2
Cable:	RG58
Mounting method:	U-bolts



### Antenna 1 Return Loss



### VSWR

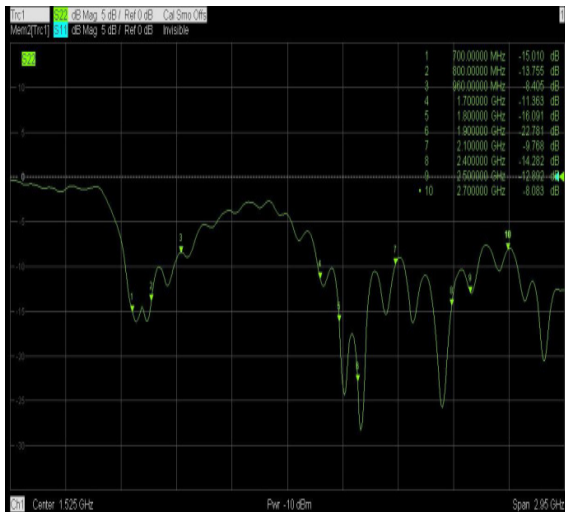




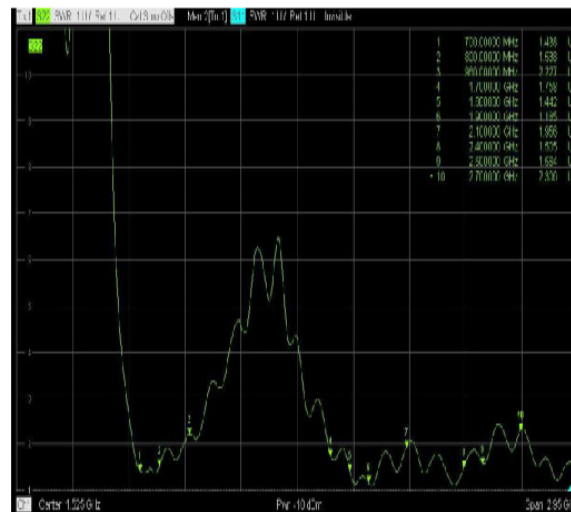
## Oscar 420

3G/4G/WiFi MIMO Omni-directional Antenna

### Antenna 2 Return Loss



### VSWR



## Ordering Details

Part Number	Description
-------------	-------------

OSCAR420/0.4M/NTYPEF/S/S/19	3G/4G/WiFi MIMO Omni-directional antenna
-----------------------------	--

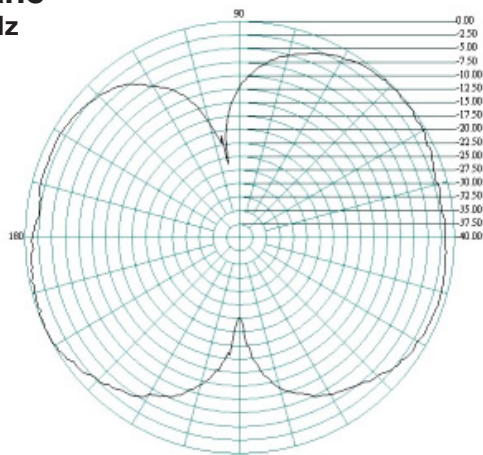


## Oscar 420

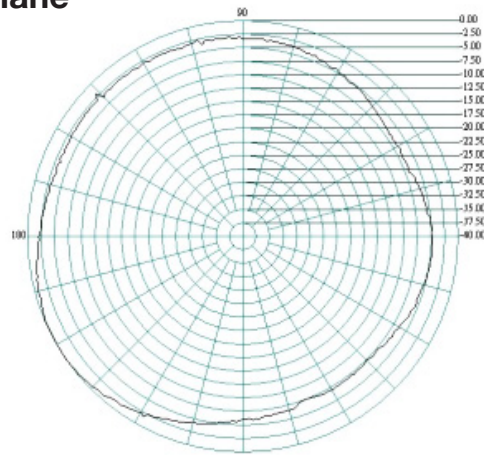
3G/4G/WiFi MIMO Omni-directional Antenna

### Radiation Patterns: Antenna 1

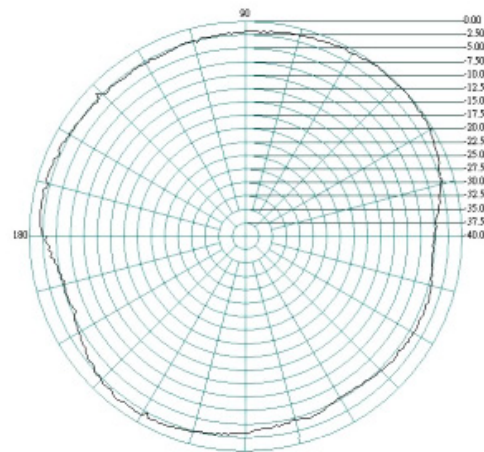
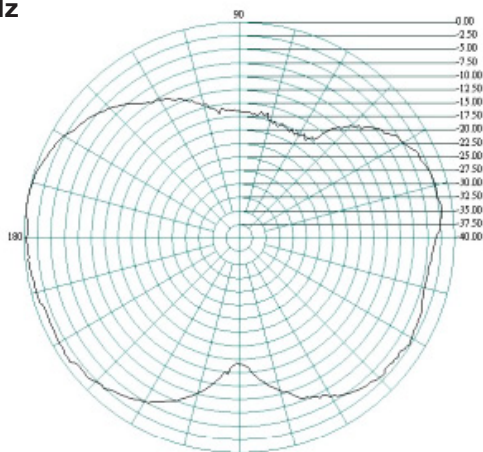
**E-Plane**  
700MHz



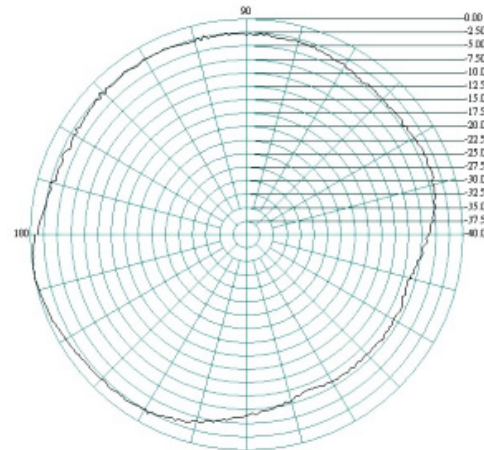
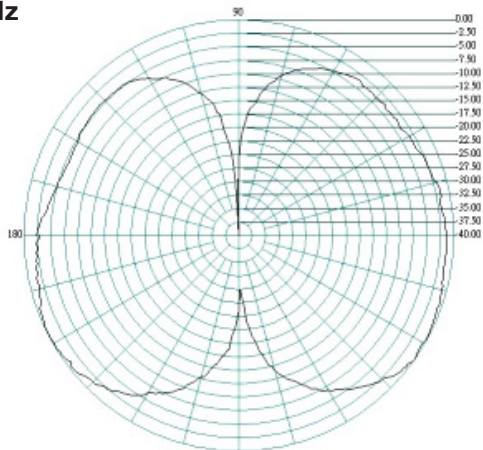
**H-Plane**



**800MHz**



**900MHz**

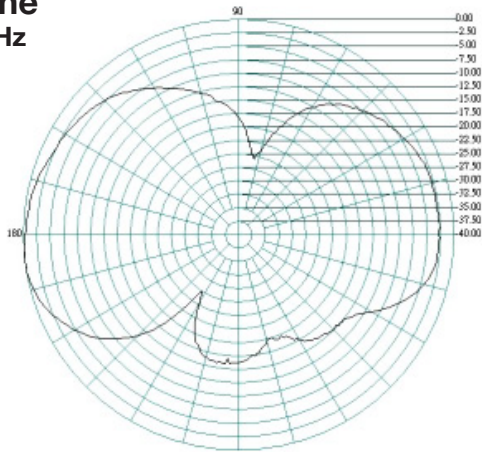




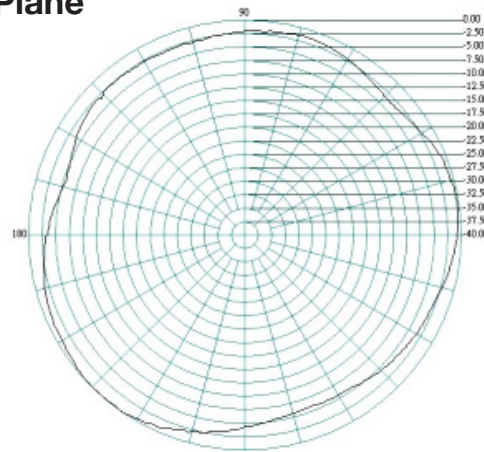
## Oscar 420

3G/4G/WiFi MIMO Omni-directional Antenna

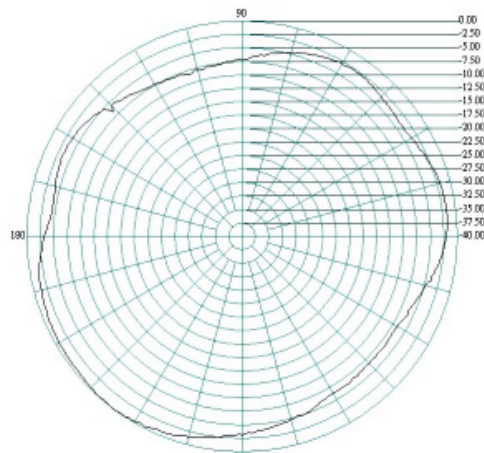
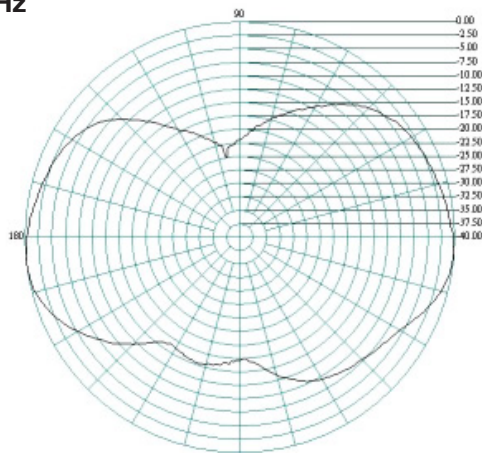
### E-Plane 1700MHz



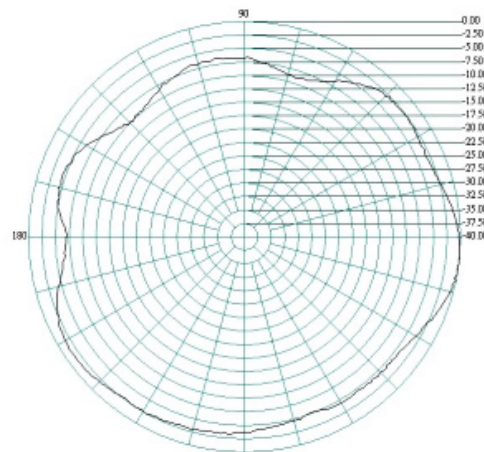
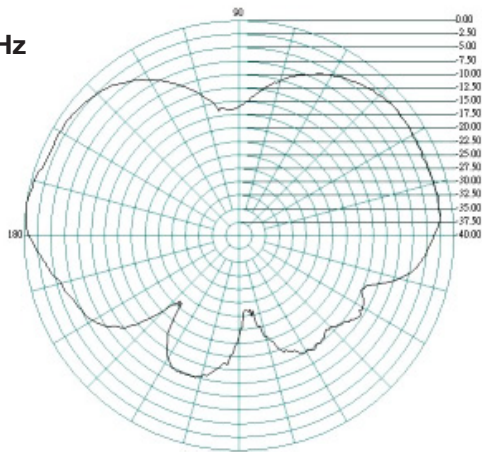
### H-Plane



### 1800MHz



### 1900MHz

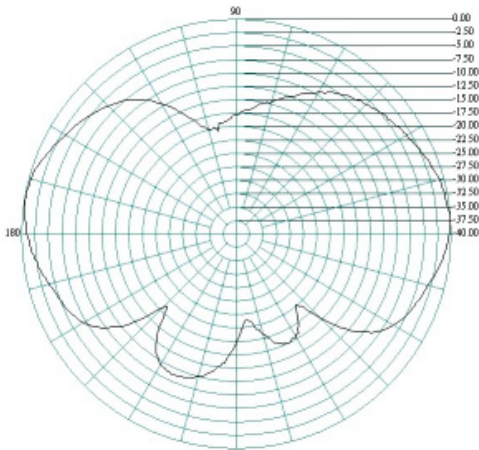




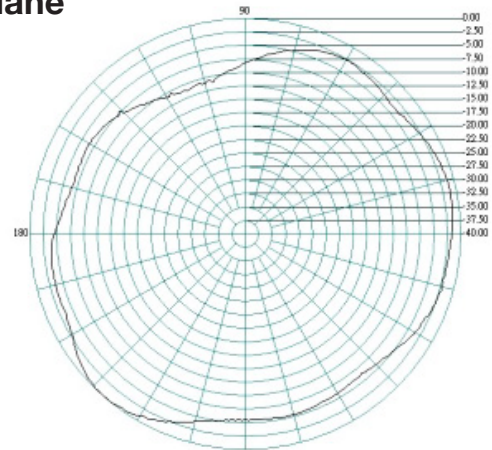
## Oscar 420

3G/4G/WiFi MIMO Omni-directional Antenna

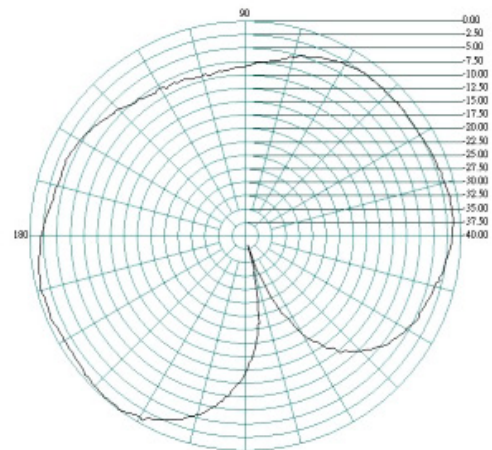
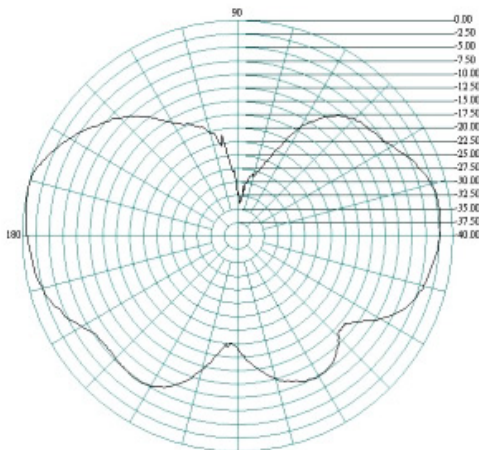
**E-Plane**  
2100MHz



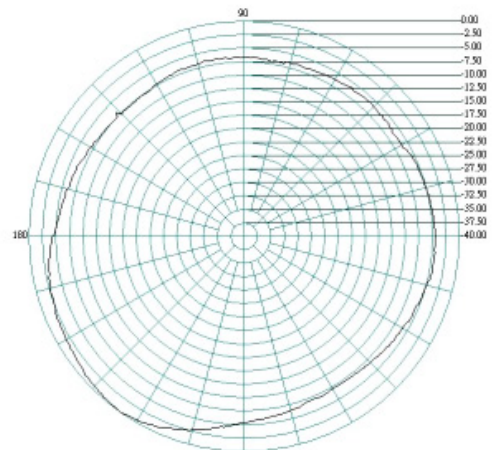
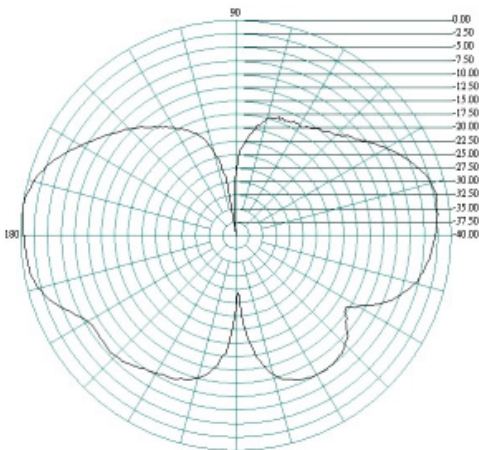
**H-Plane**



**2200MHz**



**2400MHz**

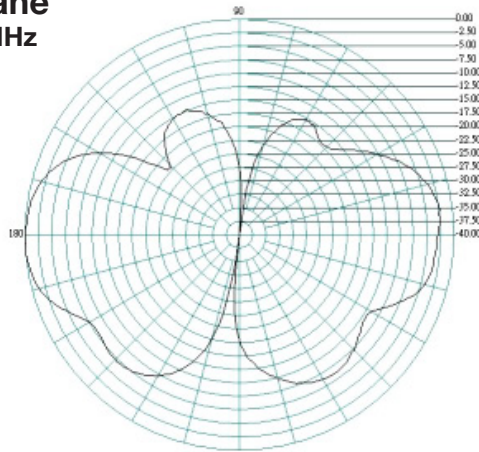




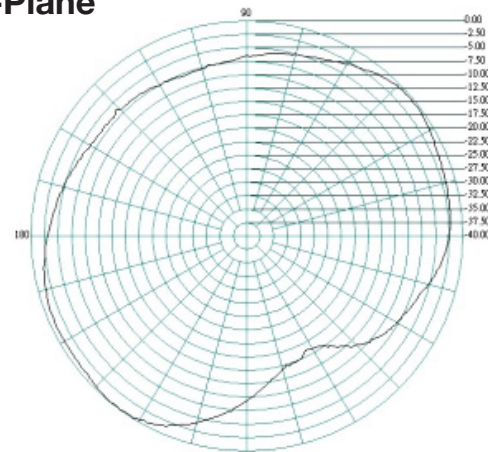
## Oscar 420

3G/4G/WiFi MIMO Omni-directional Antenna

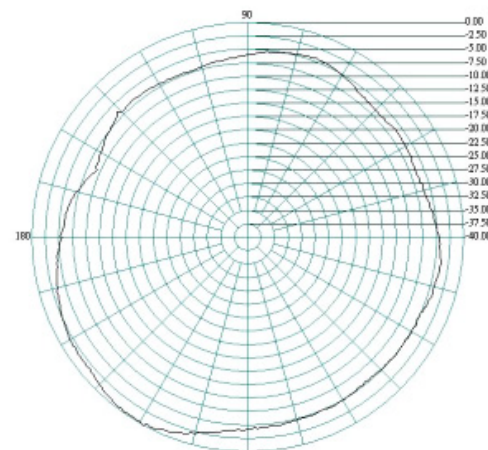
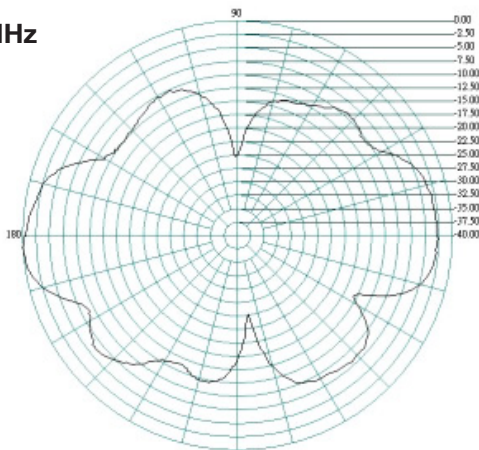
### E-Plane 2500MHz



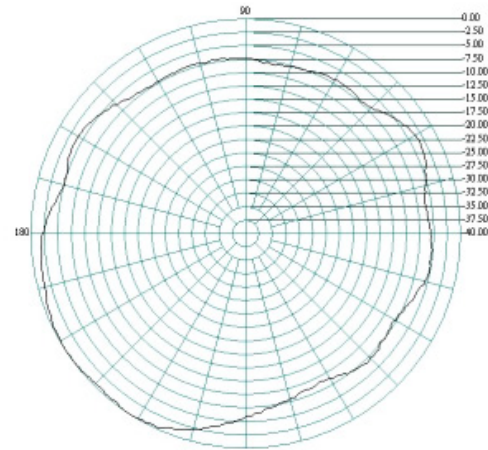
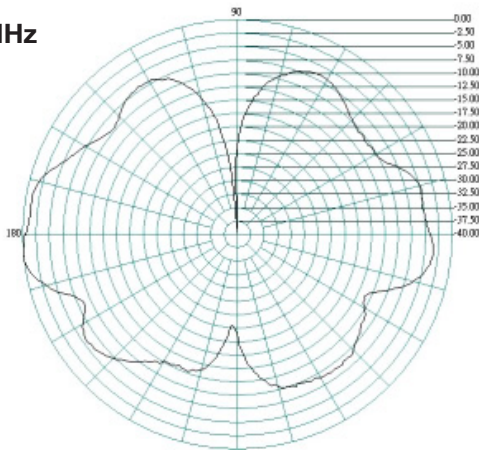
### H-Plane



### 2600MHz



### 2700MHz



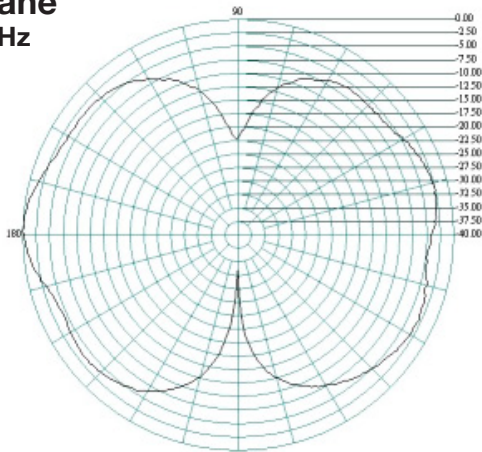


## Oscar 420

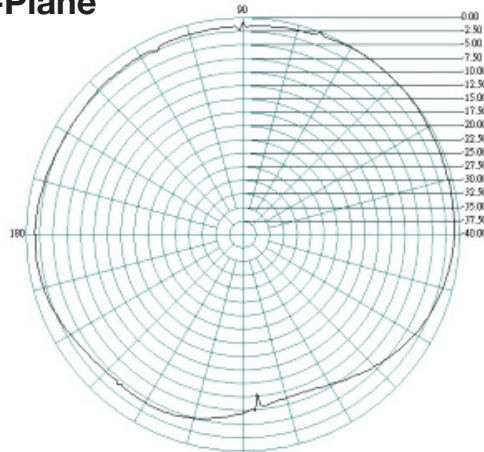
3G/4G/WiFi MIMO Omni-directional Antenna

### Radiation Patterns: Antenna 2

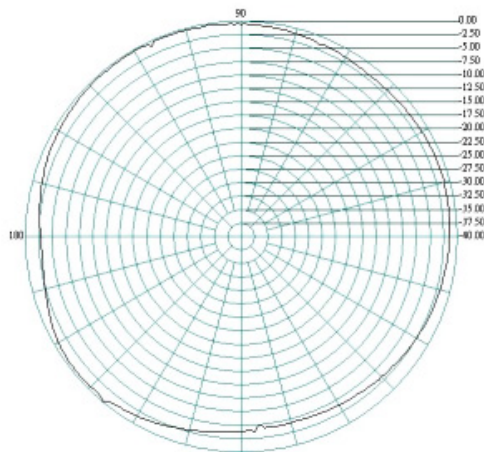
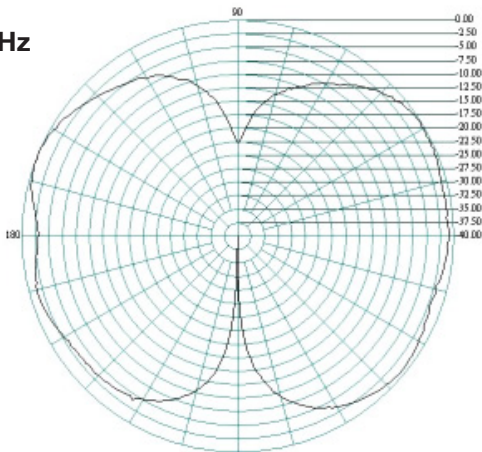
**E-Plane**  
700MHz



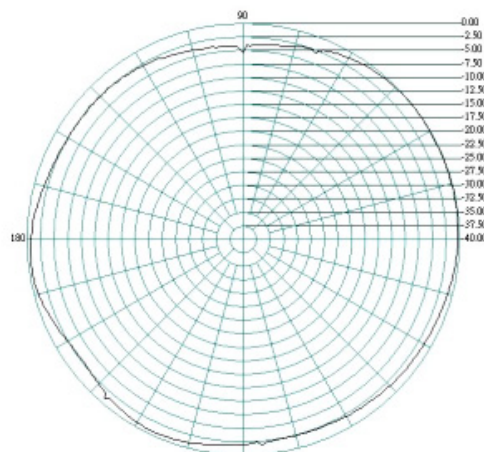
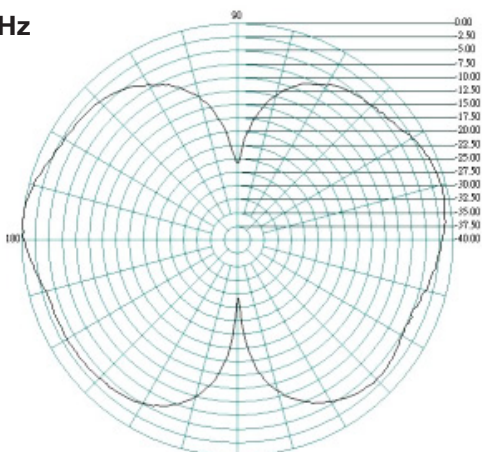
**H-Plane**



**800MHz**



**900MHz**



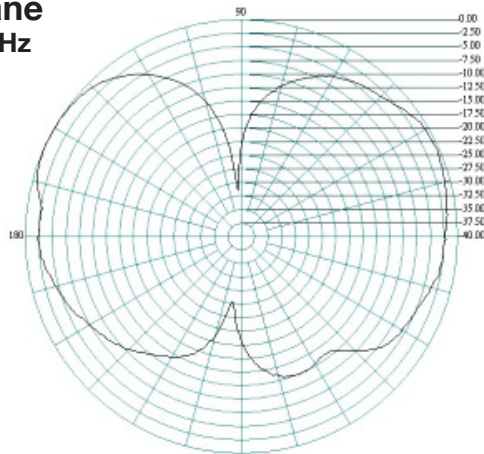




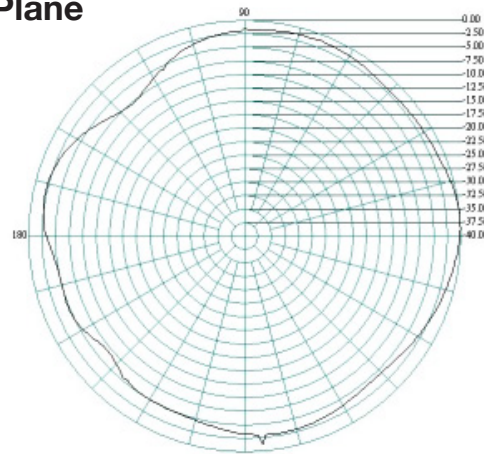
## Oscar 420

3G/4G/WiFi MIMO Omni-directional Antenna

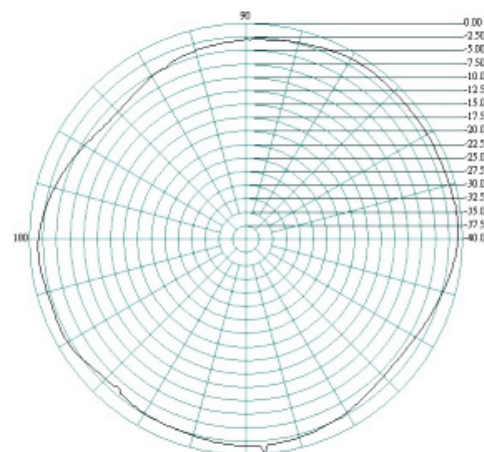
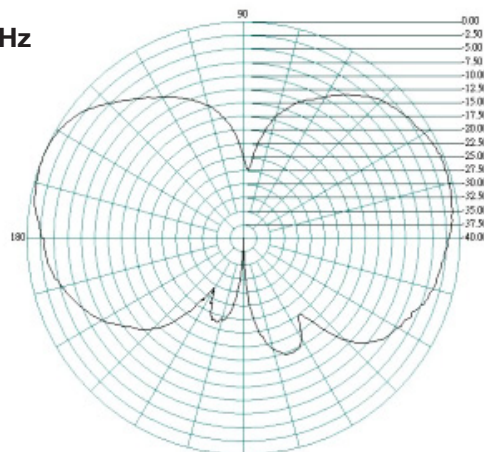
**E-Plane**  
1700MHz



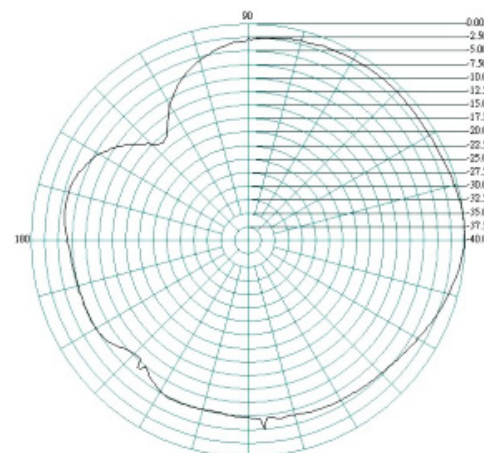
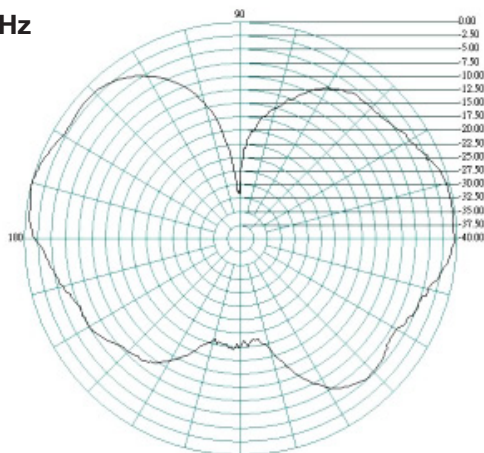
**H-Plane**



**1800MHz**



**1900MHz**

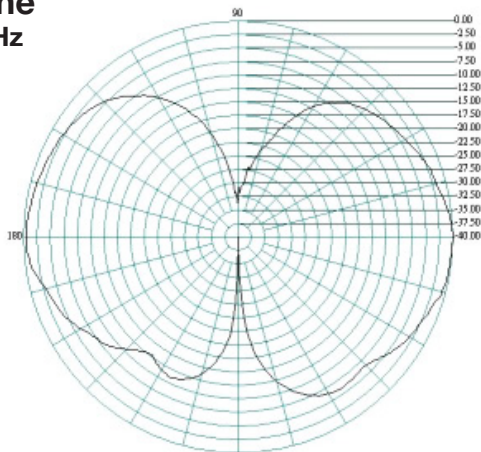




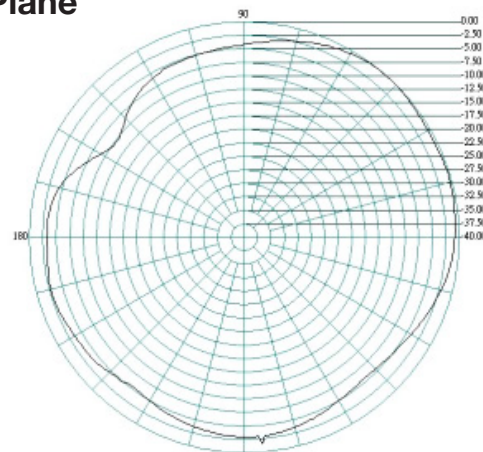
## Oscar 420

3G/4G/WiFi MIMO Omni-directional Antenna

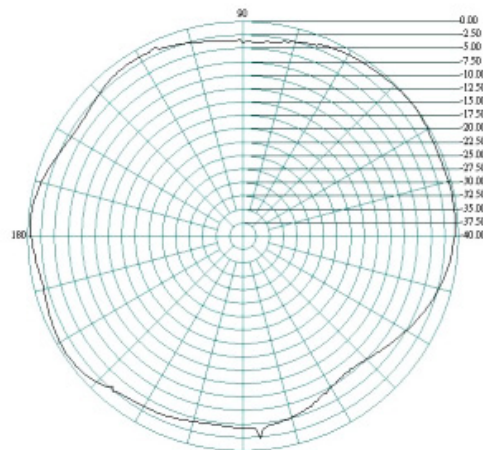
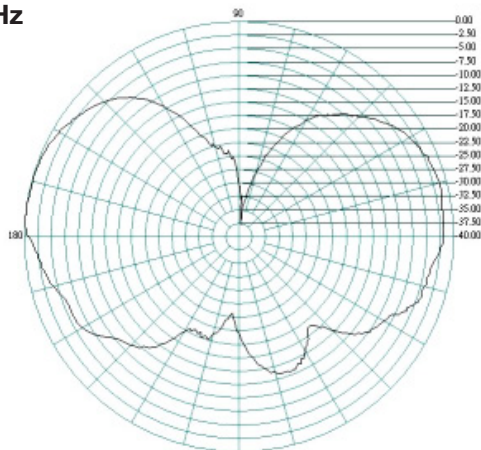
### E-Plane 2100MHz



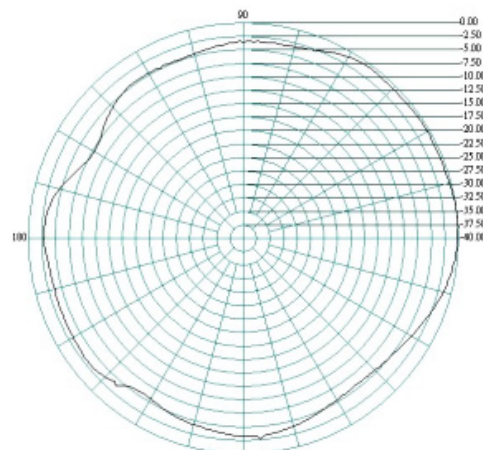
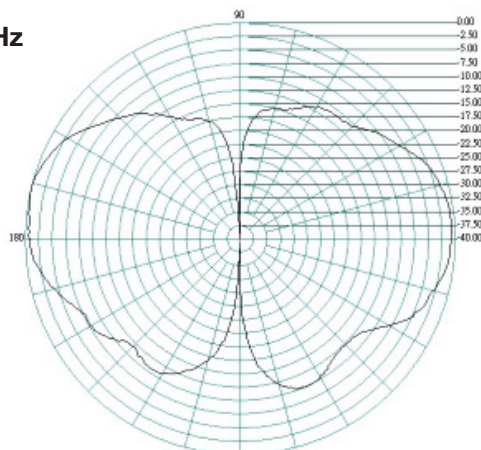
### H-Plane



### 2200MHz



### 2400MHz

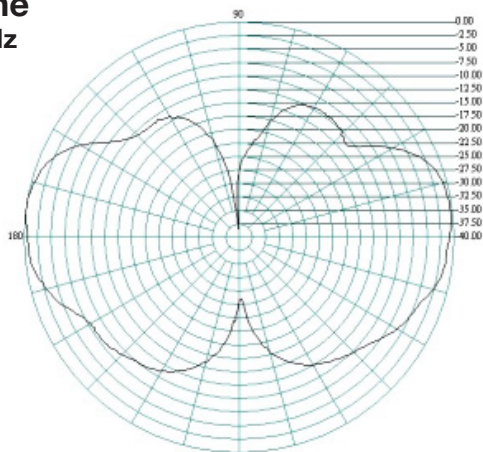




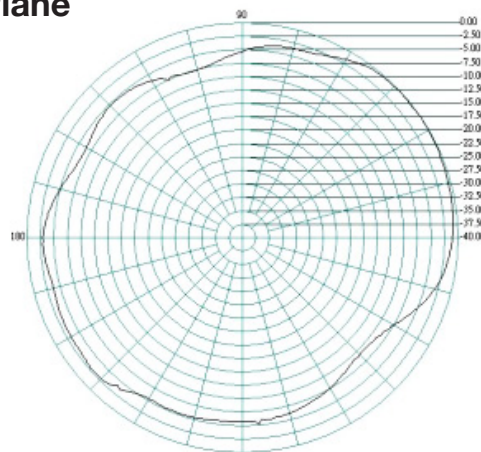
## Oscar 420

3G/4G/WiFi MIMO Omni-directional Antenna

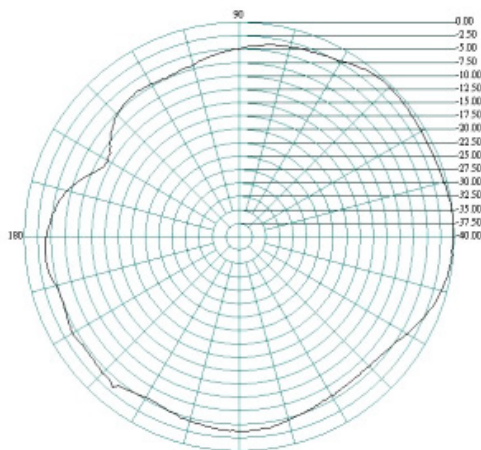
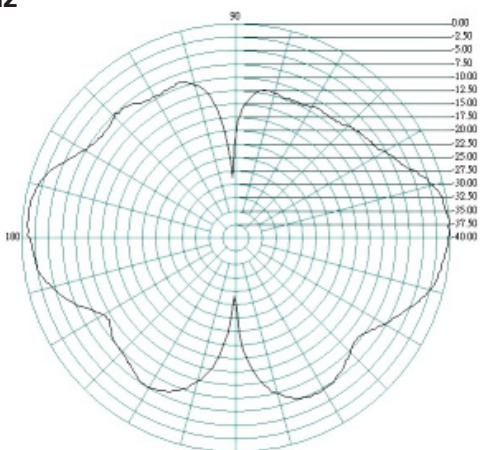
### E-Plane 2500MHz



### H-Plane



### 2600MHz



### 2700MHz

