

1

2

3

4

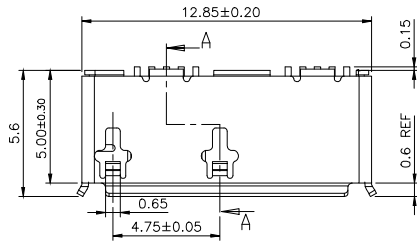
5

6

7

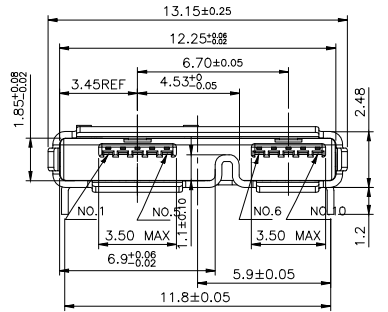
A

③ USB3.0 COMPLIANT

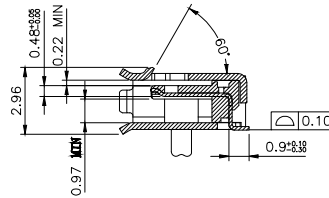


B

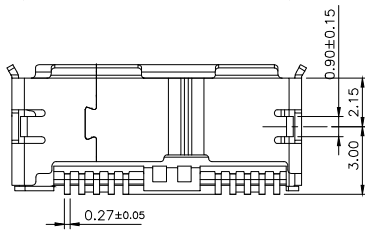
C



D



E



F

NOTES:

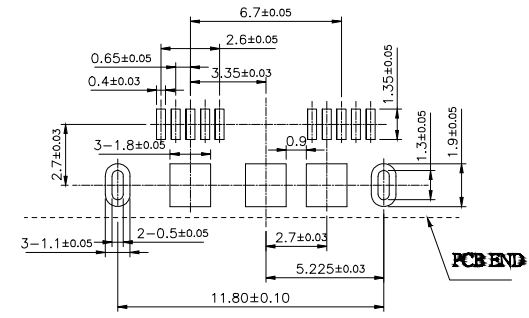
- 1. INSULATOR:LCP . COLOR-BLACK
- 2. USB CONTACT: BRASS,0.15mm THICKNESS, GOLD PLATED ON CONTACT AREA, 50 U" TIN PLATED ON SOLDER TAIL, 80 U" MIN. NICKEL UNDER PLATED OVERALL.
- 3. SHELL: STAINLESS STEEL ,0.3 THICKNESS, 40U" NICKEL PLATED ON THE SOLDERING TAB.
- ④ 4. ELECTRICAL CHARACTERISTICS:
  - 4.1 CONTACT RESISTANCE:30mΩ MAXIMUM
  - 4.2 CONTACT CURRENT RATING:1.5AMPERES
  - 4.3 DIELECTRIC WITHSTANDING VOLTAGE:100 V R.M.S.
  - 4.4 INSULATION RESISTANCE 100 MΩ MIN
  - 4.5 OPERATING TEMPERATURE:-40°C ~ 85°C
- ② 5. MECHANICAL CHARACTERISTICS:
  - 5.1 MATING FORCE:35N MAX
  - 5.2 UNMATING FORCE:10N MIN(INITIAL) 8N MIN(10000 CYCLES AFTER)
  - 5.3 DURABILITY: 100,00 CYCLES MIN
  - 5.4 SuperSpeed5Gbps
- 6.PACKIING: Tape&Reel

A

B

C

D



RECOMMENDED P.C.B LAYOUT

E

G

RoHS compliant

Scale	Free					Date	Name	Customer-No.
TOLERANCE		④	Update	26.07.2019	Xavier	Drawn	17.07.2013	Winnie
.X	±0.38	③	Add the"USB3.0 COMPLIANT"	08.04.2014	Winnie	Approved	08.04.2014	Winnie
.XX	±0.25	②	Update	26.08.2013	Winnie			
.XXX	±0.10	①	Update	05.08.2013	Winnie			
DIM	TOL	①	Update	05.08.2013	Winnie			
X.°	±5°	①	Update	05.08.2013	Winnie			
Angle	TOL	①	Drawn	17.07.2013	Winnie			
UNIT	mm	ld.	Modification	Date	Name			

Customer-No.	
ASSMANN WSW-No. <b>AUSB3-CFC-KSR</b>	
Drawing-No.	
<b>ASS 5852 CO</b>	rev04
Replace	SHEET

G

H

H

1

2

3

4

5

6

7