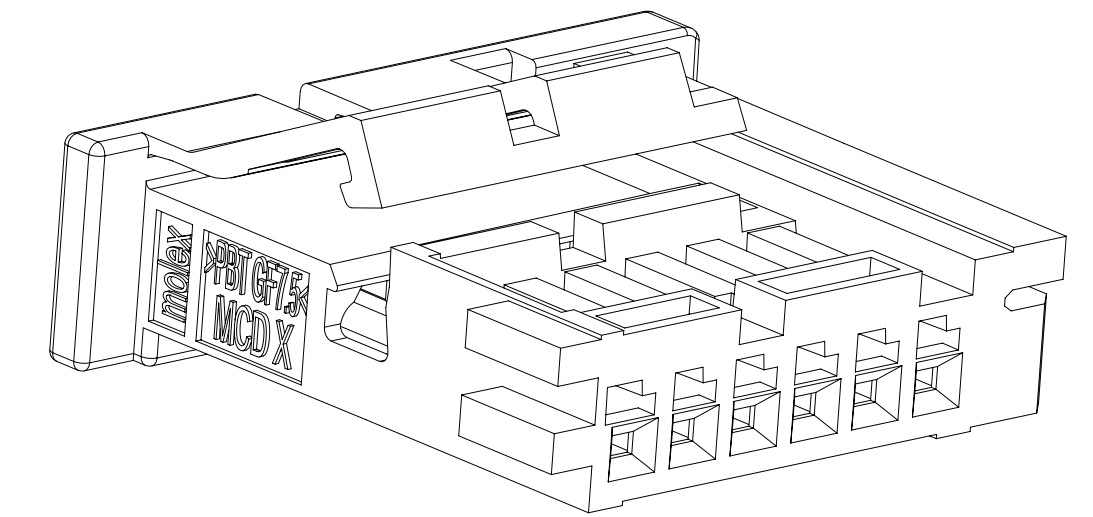
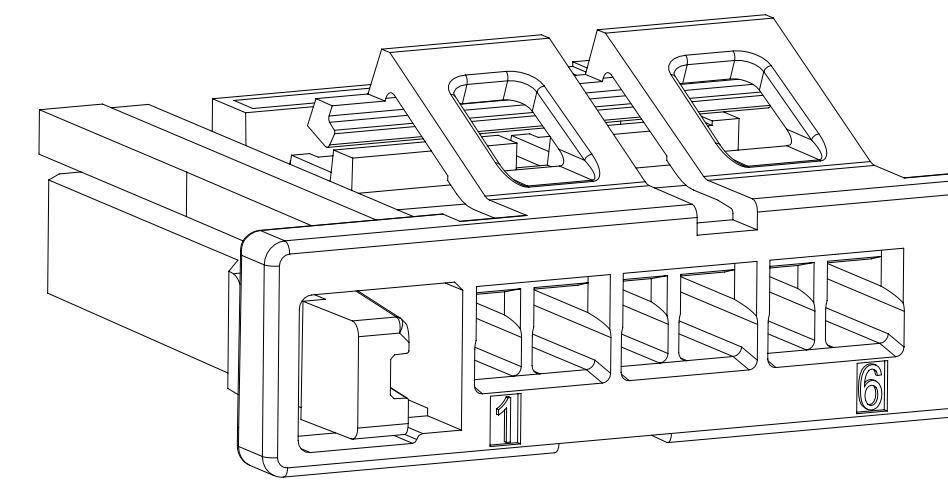


EXAMPLE:

PN 2080372061
 208037 - SERIES NUMBER: SINGLE ROW RECEPTACLE
 2 - TYPE OF COMPONENT: STANDARD MATL RECPT
 06 - 06 USABLE CIRCUITS
 1 - POL A

FINAL PART: 06CKT SINGLE ROW RECEPTACLE - POL A

6 WAY RECEPTACLE SHOWN



	SERIES NUMBERS (AAAAAA)	TYPE OF COMPONENT (B)	USABLE CIRCUITS (CC)	POL (D)
ON DRAWING	208037 - CLEAN BODY RECEPTACLE	2 - STANDARD MATERIAL	02 - 2 Circuits	0 - No POL or N/A
MATING PARTS	208033 - RIGHT ANGLE SMT HEADER - TAPE & REEL		...	1 - POL A
	208035 - VERTICAL SMT HEADER - TAPE & REEL		...	2 - POL B
		22 - 22 Circuits	3 - POL C	
			4 - POL D	

NOTES: VALID UNLESS OTHERWISE SPECIFIED

1. GENERAL:

- 1.1 APPLICATION SPECIFICATION SEE: 2046310000-AS
- 1.2 PRODUCT SPECIFICATION SEE: 2046310000-PS
- 1.3 PACKAGING SPECIFICATION PER MOLEX DRAWING: PK-31301-695
- 1.4 PARTS MUST BE IN COMPLIANCE TO MOLEX CHEMICAL SUBSTANCES FOR PRODUCTS AND PACKAGING SPECIFICATION: QEHS-699000-300 (FOR SUPPLIERS) OR QEHS-699000-304 (INTERNAL)
- 1.5 DATA MUST BE SUBMITTED UNDER THE MOLEX PART NUMBER TO IMDS (COMPANY ID#13255)
- 1.6 COMPATIBLE WITH AK INTERFACE TO DRAWING C-114-94000-20 REV A1

2. DESIGN - MATERIALS:

- 2.1 RECEPTACLE HOUSING:
 - a. MATERIAL: PBT-GF7.5%
 - b. COLOR: SEE PART TABLE

3. DESIGN - GEOMETRY:

- 3.1 GEOMETRIC DIMENSIONS AND TOLERANCES PER ASME Y14.5M-2009
- 3.2 EDGES AND UNDIMENSIONED DETAILS PER ISO13715
- 3.3 CORNERS SHOWN AS SHARP TO BE R 0.2 MAX.
- 3.4 MARKED TEXT TO INCLUDE:
 - a. FOR RECEPTACLE COMPONENT: RECYCLING CODE, CAVITY ID, AND VENDOR IDENTIFICATION.

INTERFACE	INTERFACE CKT SIZE	DIM A	DIM B	KEY	COLOR	RECEPTACLE P/N	PART STATUS
	2	10.40	7.75	A	BLACK	2080372021	AVAILABLE
				B	NATURAL	2080372022	
				C	BLUE	2080372023	
				D	VIOLET	2080372024	
	3	12.20	9.55	A	BLACK	2080372031	AVAILABLE
				B	NATURAL	2080372032	
				C	BLUE	2080372033	
				D	VIOLET	2080372034	
	4	14.00	11.35	A	BLACK	2080372041	AVAILABLE
				B	NATURAL	2080372042	
				C	BLUE	2080372043	
				D	VIOLET	2080372044	
	5	15.80	13.15	A	BLACK	2080372051	AVAILABLE
				B	NATURAL	2080372052	
				C	BLUE	2080372053	
				D	VIOLET	2080372054	
	6	17.60	14.95	A	BLACK	2080372061	AVAILABLE
				B	NATURAL	2080372062	
				C	BLUE	2080372063	
				D	VIOLET	2080372064	
	7	19.40	16.75	A	BLACK	2080372071	INQUIRE FOR AVAILABILITY
				B	NATURAL	2080372072	
				C	BLUE	2080372073	
				D	VIOLET	2080372074	
	8	21.20	18.55	A	BLACK	2080372081	INQUIRE FOR AVAILABILITY
				B	NATURAL	2080372082	
				C	BLUE	2080372083	
				D	VIOLET	2080372084	
	9	23.00	20.35	A	BLACK	2080372091	INQUIRE FOR AVAILABILITY
				B	NATURAL	2080372092	
				C	BLUE	2080372093	
				D	VIOLET	2080372094	
	10	24.80	22.15	A	BLACK	2080372101	INQUIRE FOR AVAILABILITY
				B	NATURAL	2080372102	
				C	BLUE	2080372103	
				D	VIOLET	2080327104	
	11	26.60	23.95	A	BLACK	2080372111	INQUIRE FOR AVAILABILITY
				B	NATURAL	2080372112	
				C	BLUE	2080372113	
				D	VIOLET	2058272114	

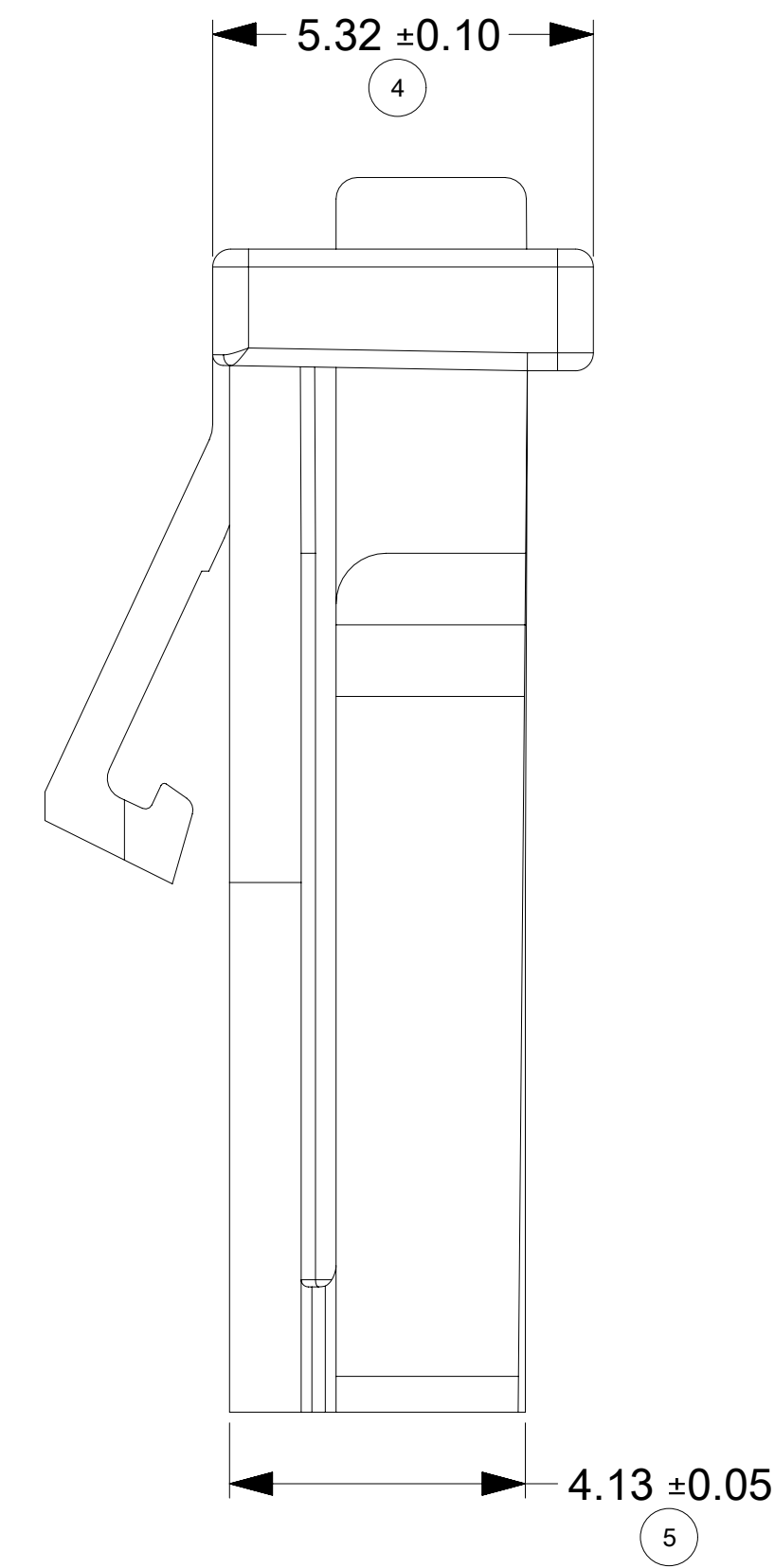
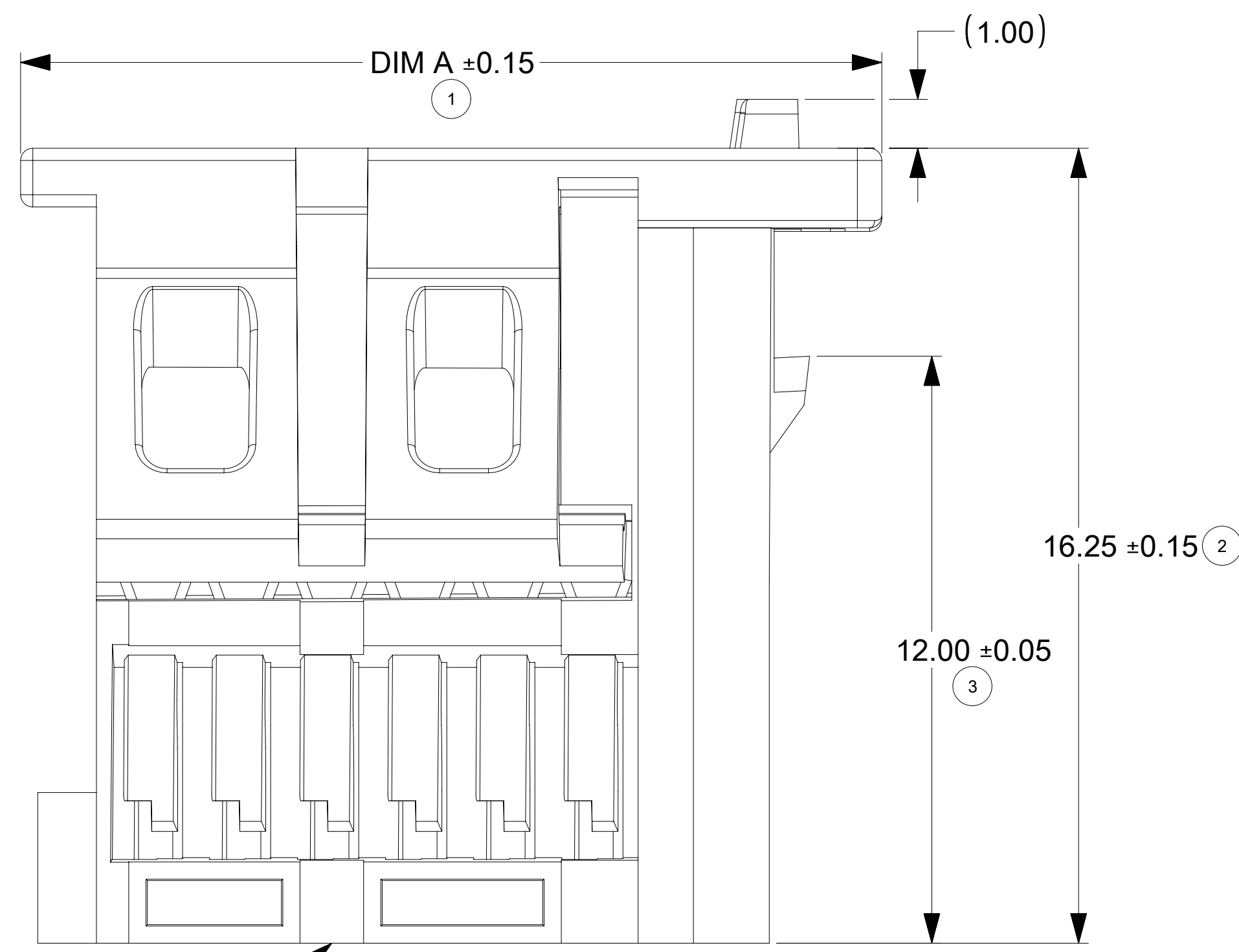
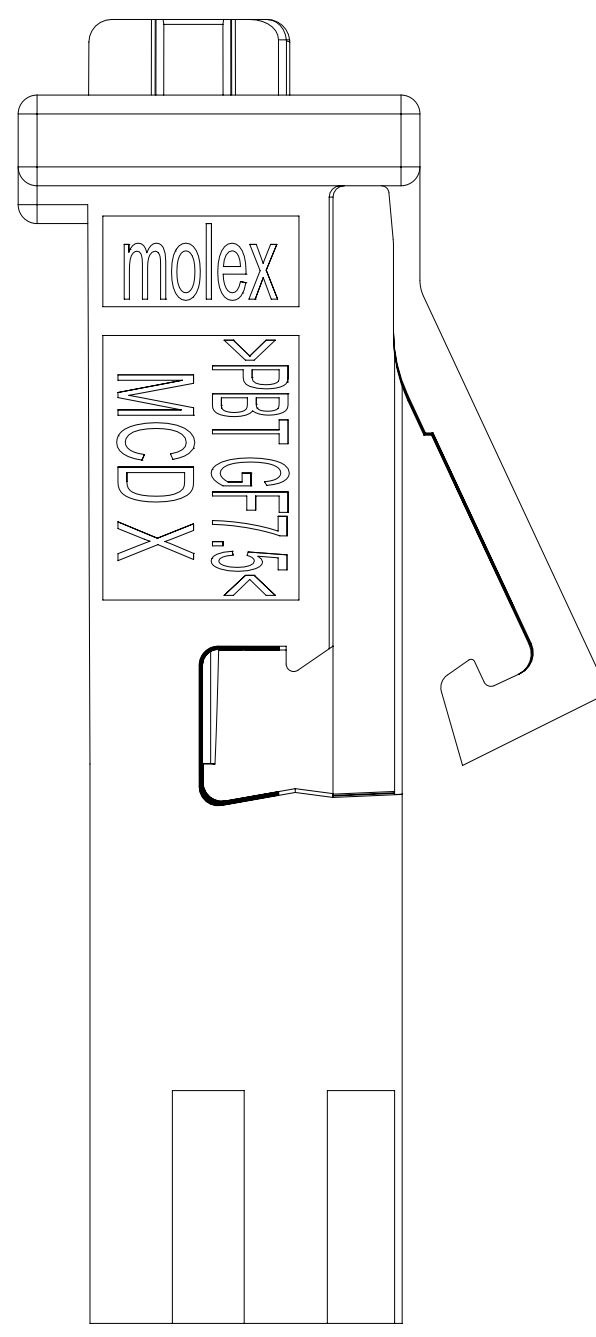
INSPECTION BALLOON NUMBER LOG

PER DRAWING REVISION: A1
 LAST BALLOON USED: 17
 ADDED BALLOON NUMBERS:
 REMOVED BALLOON NUMBERS:

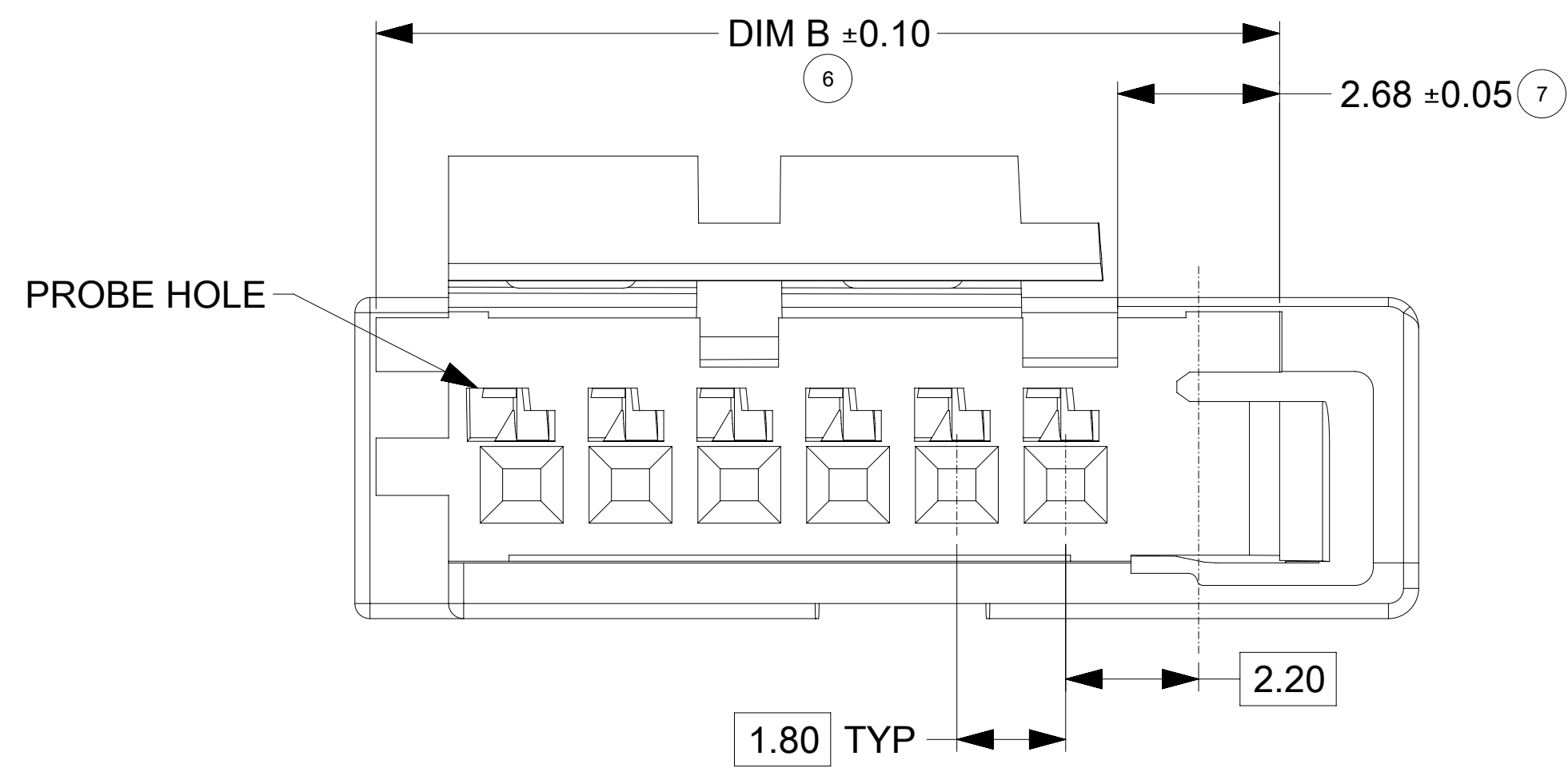
REV	DESCRIPTION
A1	CHANGED POL B COLOR FROM GRAY TO NATURAL IN THE BOM TABLE AND ADDED PACKAGING DRAWING NUMBER
A	INITIAL RELEASE

THIS DRAWING CONTAINS INFORMATION THAT IS PROPRIETARY TO MOLEX ELECTRONIC TECHNOLOGIES, LLC AND SHOULD NOT BE USED WITHOUT WRITTEN PERMISSION

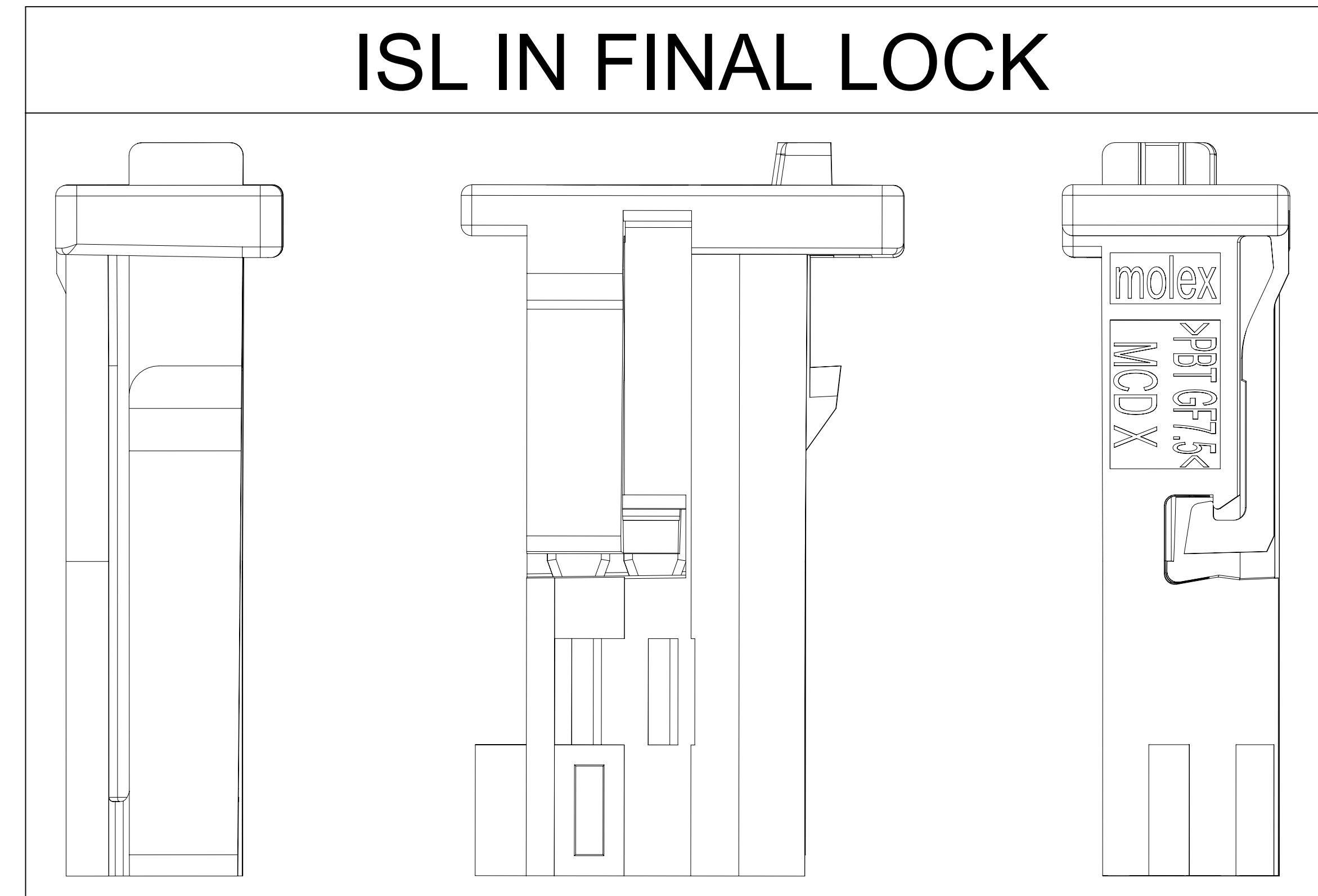
DIMENSION UNITS	SCALE	CURRENT REV DESC:		molex			
mm	6:1						
GENERAL TOLERANCES (UNLESS SPECIFIED)		EC NO: 675374		CONNTAK50 SR CB RECEPTACLE SALES DWG			
ANGULAR TOL	± °	DRWN: VBALASUBRAMA 2021/08/25		PRODUCT CUSTOMER DRAWING			
4 PLACES	±	CHK'D: JDUNAJ 2021/08/26		DOCUMENT NUMBER			
3 PLACES	±	APPR: JDUNAJ 2021/08/26		2080370002			
2 PLACES	±	INITIAL REVISION:		DOC TYPE			
1 PLACE	±	DRWN: KHEWITT 2019/09/05		PSD			
0 PLACES	±	APPR: JDUNAJ 2020/06/24		000			
DRAFT WHERE APPLICABLE MUST REMAIN WITHIN DIMENSIONS		THIRD ANGLE PROJECTION		REVISION			
		DRAWING		A1			
		SERIES		GENERAL MARKET			
		D-SIZE		1 OF 2			
		208037					



CIRCUITS 6-11 CONTAIN 2ND RIB



ISL IN FINAL LOCK



POLARIZATIONS/KEYS/CODING

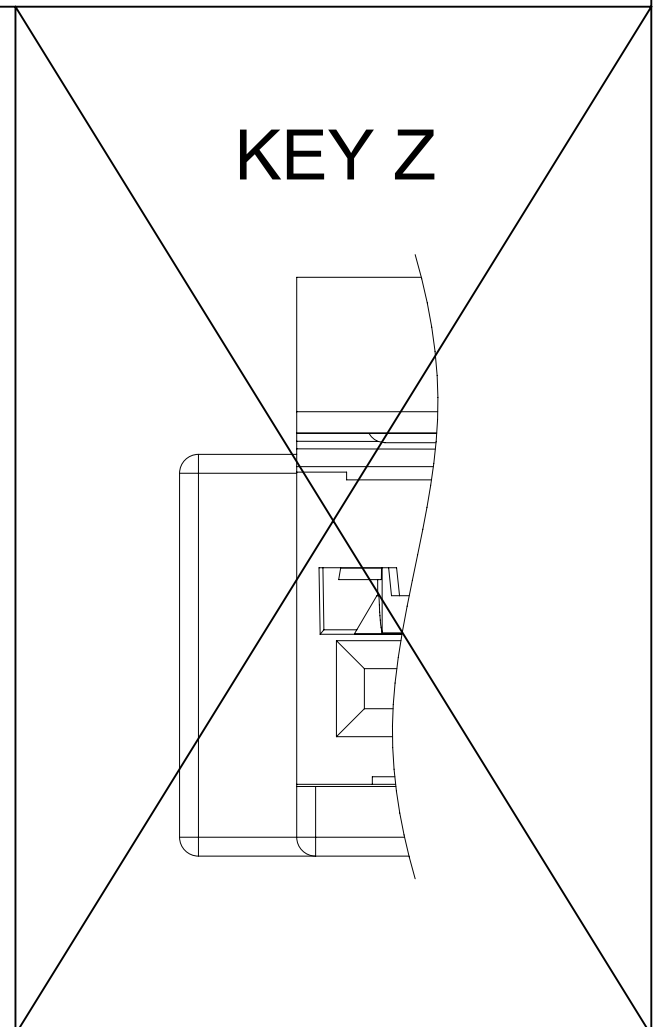
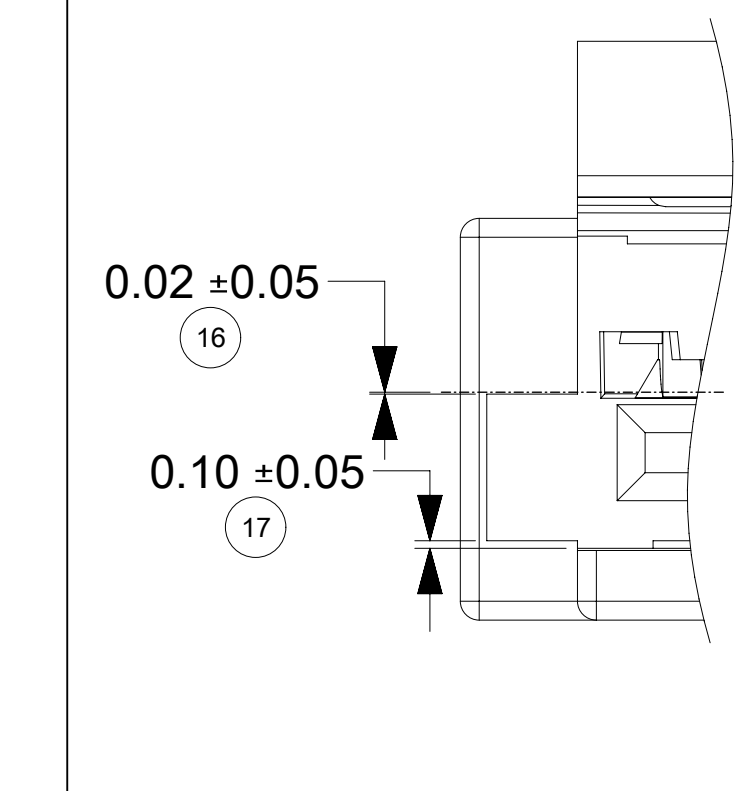
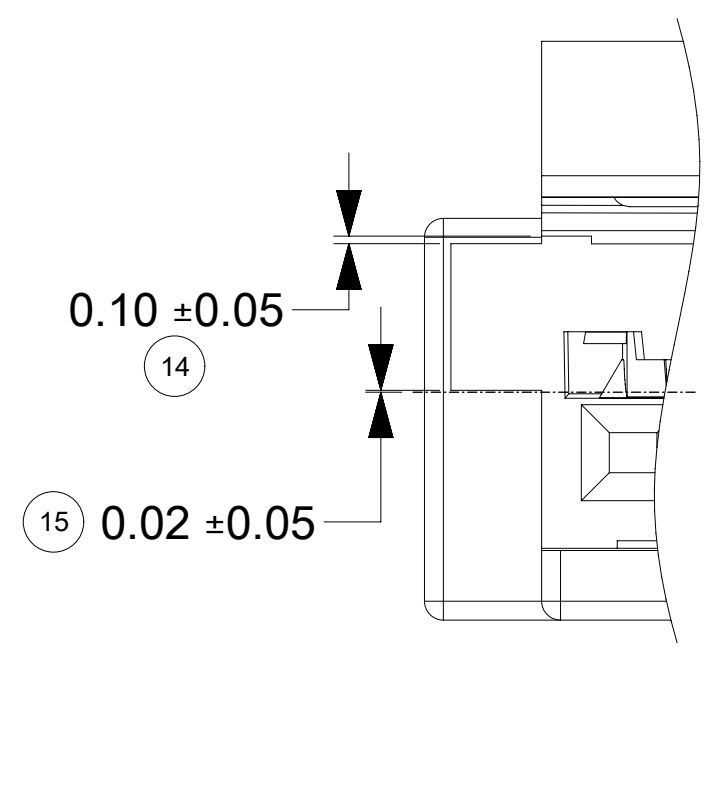
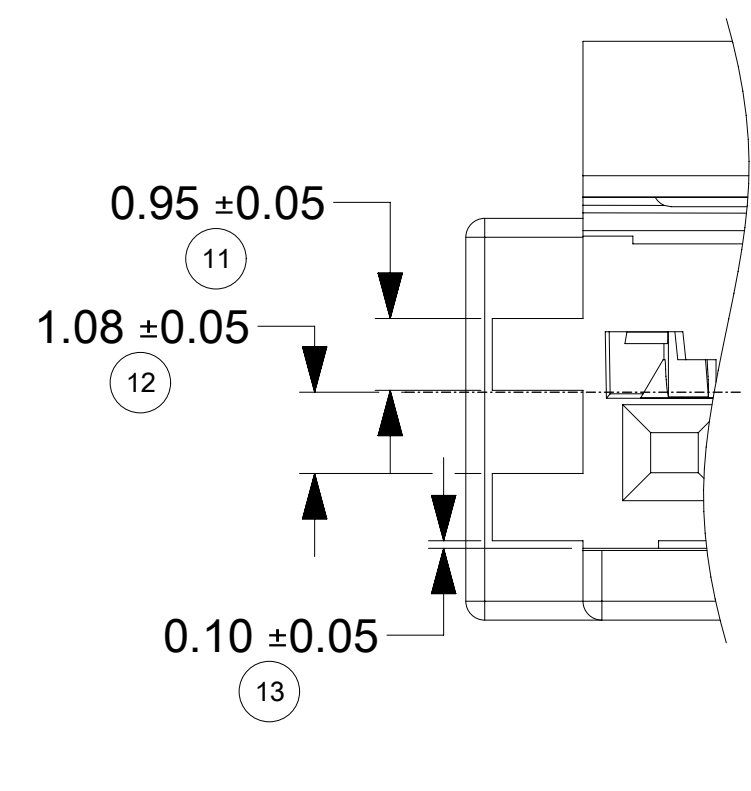
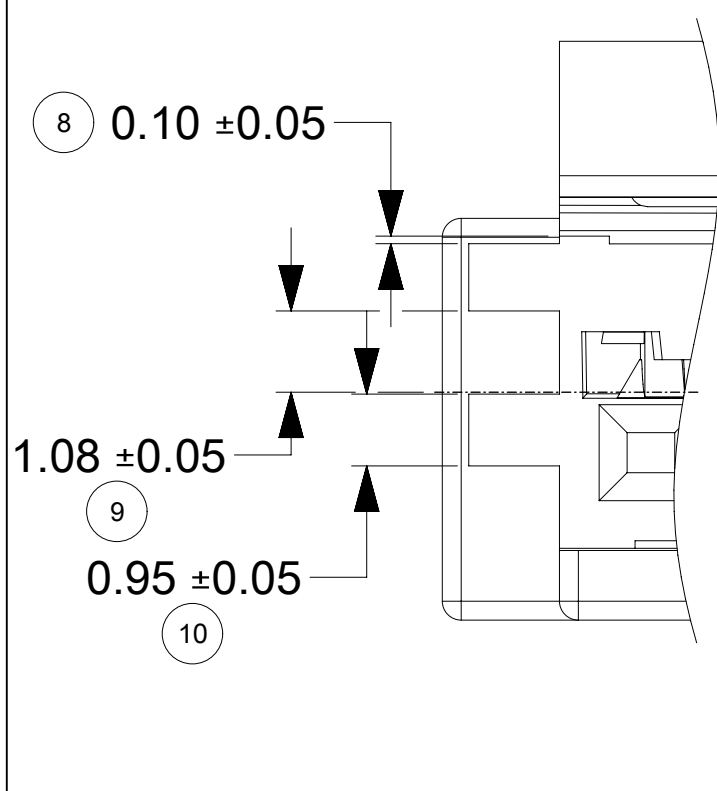
KEY A

KEY B

KEY C

KEY D

KEY Z



THIS DRAWING CONTAINS INFORMATION THAT IS PROPRIETARY TO MOLEX ELECTRONIC TECHNOLOGIES, LLC AND SHOULD NOT BE USED WITHOUT WRITTEN PERMISSION			
DIMENSION UNITS	SCALE	CURRENT REV DESC:	
mm	10:1		
GENERAL TOLERANCES (UNLESS SPECIFIED)		EC NO: 675374	
ANGULAR TOL	± °	DRWN: VBALASUBRAMA	2021/08/25
4 PLACES	±	CHK'D: JDUNAJ	2021/08/26
3 PLACES	±	APPR: JDUNAJ	2021/08/26
2 PLACES	±	INITIAL REVISION:	
1 PLACE	±	DRWN: KHEWITT	2019/09/05
0 PLACES	±	APPR: JDUNAJ	2020/06/24
DRAFT WHERE APPLICABLE MUST REMAIN WITHIN DIMENSIONS		THIRD ANGLE PROJECTION	DRAWING SERIES
			D-SIZE 208037
DOCUMENT STATUS		MATERIAL NUMBER	CUSTOMER
P1	RELEASE DATE	2080370002	GENERAL MARKET
	2021/08/26 16:57:15	DOC TYPE	SHEET NUMBER
		PSD 000	A1
		CONNTAK50 SR CB RECEPTACLE SALES DWG	
PRODUCT CUSTOMER DRAWING			
DOCUMENT NUMBER			
2080370002			
DOC PART			
000			
REVISION			
A1			