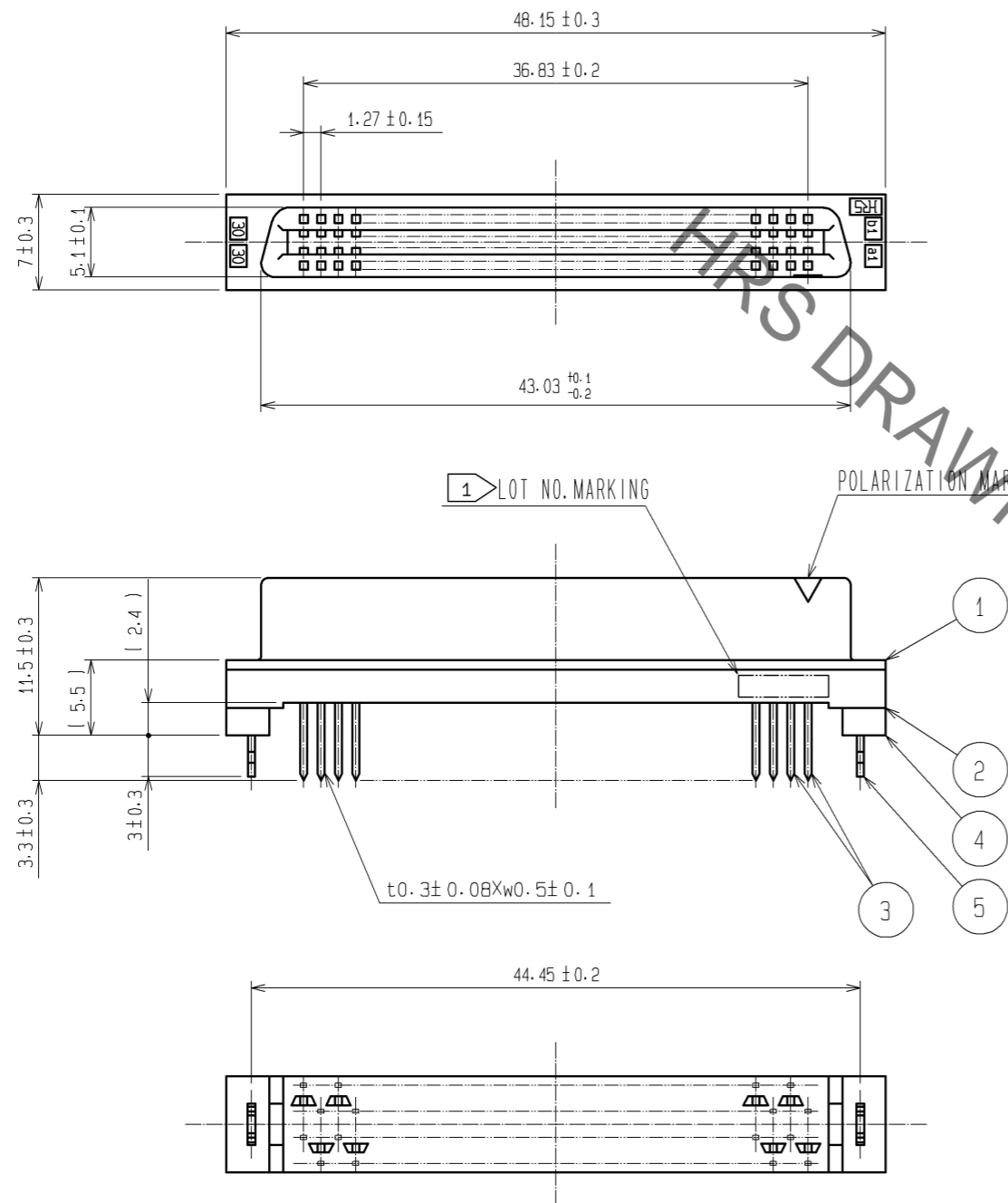
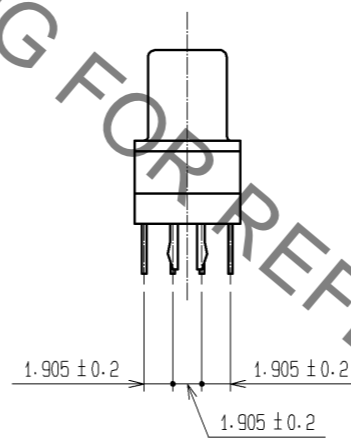
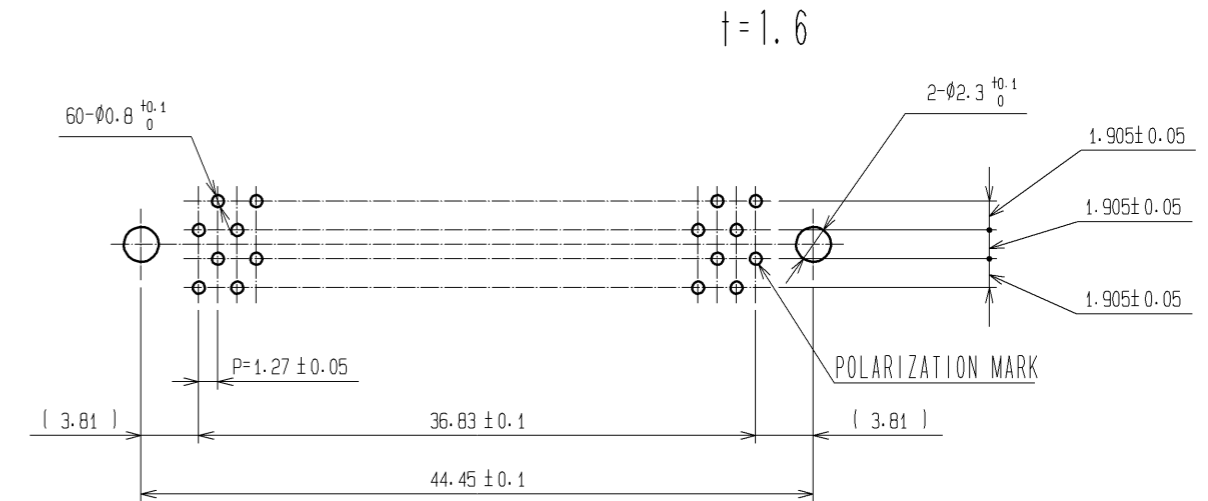


May.1.2023 Copyright 2023 HIROSE ELECTRIC CO., LTD. All Rights Reserved.
In case of consideration for using Automotive equipment / device which demand high reliability, kindly contact our sales window correspondents.



RECOMMENDED PC BOARD HOLE PATTERN (MOUNTING SIDE)



- NOTES
- LOT NO. MARKING SIDE SHALL BE OPTIONAL.
 - THE DIMENSIONS IN PARENTHESES ARE FOR REFERENCE.

5	PHOSPHOR BRONZE	TIN-PLATING	3	PHOSPHOR BRONZE	CONTACT AREA : GOLD 0.2 μm min. DIP AREA : TIN-PLATING 2 μm min. UNDER PLATING : NICKEL 2 μm min.		
1, 2, 4	POLYAMIDE	BLACK, UL94V-0					
NO.	MATERIAL	FINISH, REMARKS	NO.	MATERIAL	FINISH, REMARKS		
UNITS mm		SCALE 2 : 1	COUNT 	DESCRIPTION OF REVISIONS	DESIGNED	CHECKED	DATE
HRS HIROSE ELECTRIC CO., LTD.		APPROVED : HS. OKAWA	07.08.22	DRAWING NO.	EDC3-083223-21		
		CHECKED : HS. OZAWA	07.08.22	PART NO.	FX2C2-60S-1.27DSAL(71)		
		DESIGNED : KY. NAKAMURA	07.08.22	CODE NO.	CL572-2475-3-71		
		DRAWN : TP. MATSUMOTO	07.08.10				