

PART NUMBER
148-0801-801

REV	ECO	DATE
1	INITIAL RELEASE	17AUG2021

NOTES:

1. MATERIAL AND FINISH:

- 1.1 BODY: STAINLESS STEEL, PASSIVATED
- 1.2 CONTACT: BERYLLIUM COPPER, GOLD PLATE
- 1.3 INSULATOR: ULTEM 1000, AMBER
- 1.4 GASKET: SILICONE, RED

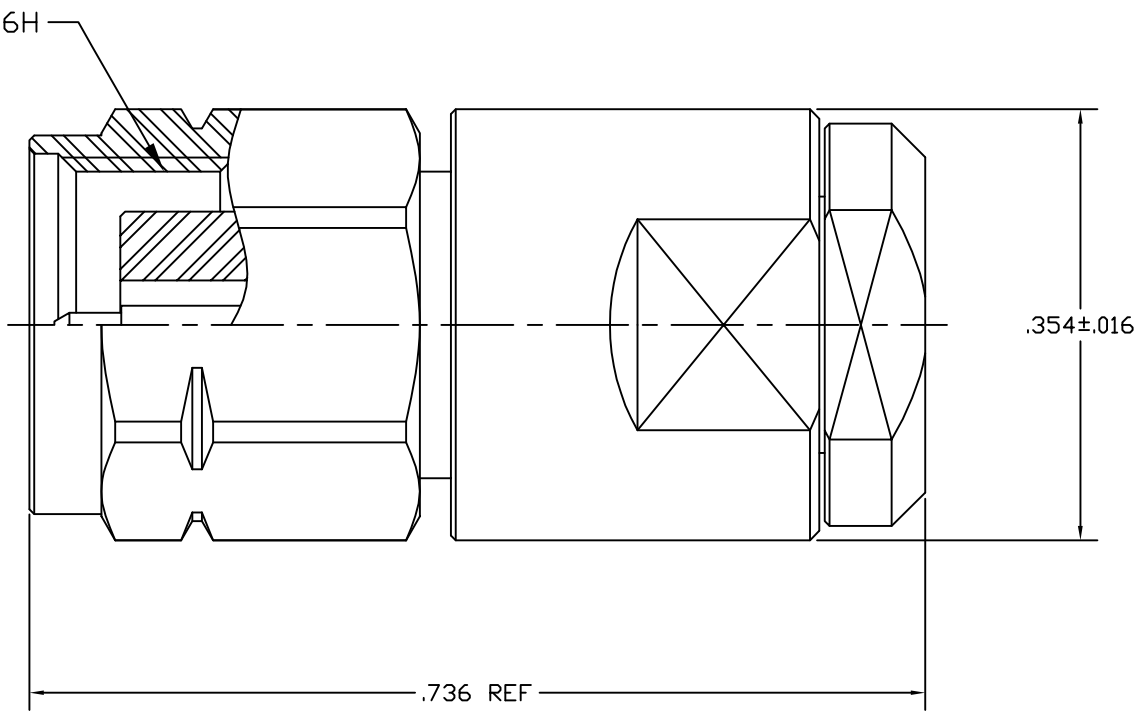
2. ELECTRICAL SPECIFICATIONS:


- 2.1 IMPEDANCE: 50 OHMS NOMINAL
- 2.2 FREQUENCY RANGE: DC~67 GHz
- 2.3 VSWR: 1.30 MAX

3. MECHANICAL SPECIFICATIONS:

- 3.1 ENGAGE/DISENGAGE FORCE: 0.23 Nm MAX (1.85MM)
- 3.2 COUPLING NUT RETENTION: 267 N MIN
- 3.3 COUPLING PROOF TORQUE: 1.65 Nm MIN
- 3.4 DURABILITY: 500 CYCLES MIN

M7xP0.75-6H



 <p>cinch CONNECTIVITY SOLUTIONS <small>a bel group</small></p> <p><small>This PROPRIETARY document is property of Cinch Connectivity Solutions. It is confidential in nature, non-transferable, and issued with the clear understanding that it is not to be used or copied without permission and is returnable upon demand.</small></p> <p><small>INTERPRET DRAWING IN ACCORDANCE WITH ASME Y14.5-2009.</small></p>	Model No:	148-0801-801	JOHNSON	
	RoHS <input checked="" type="checkbox"/>	Cage Code	Title: 1.85MM TERMINATION, PLUG, WITHOUT CHAIN	
	(EU)/2015/863 COMPLIANT	3RD ANGLE PROJECTION		
	UNLESS OTHERWISE SPECIFIED UNITS ARE:	Drawn by:	Drawing No.	REV.
.XXX±.008	TOMMY REN	148-0801-801	1	
.XXXX±.004	Date:	Size	DO NOT SCALE DRAWING	Workmanship Std/Sheet
ANGLES±5°	08/17/2021	B	NONE	1 OF 1