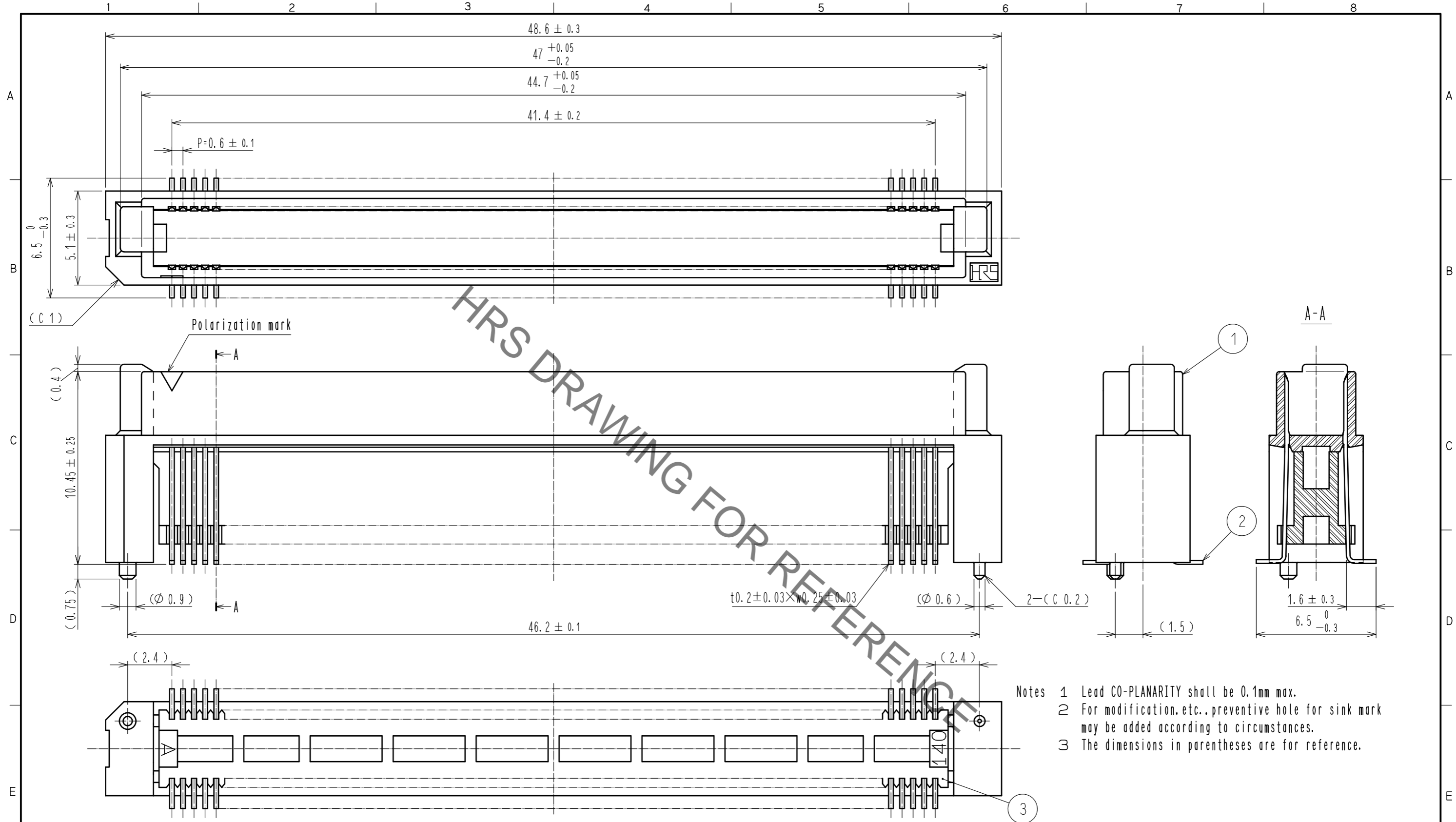
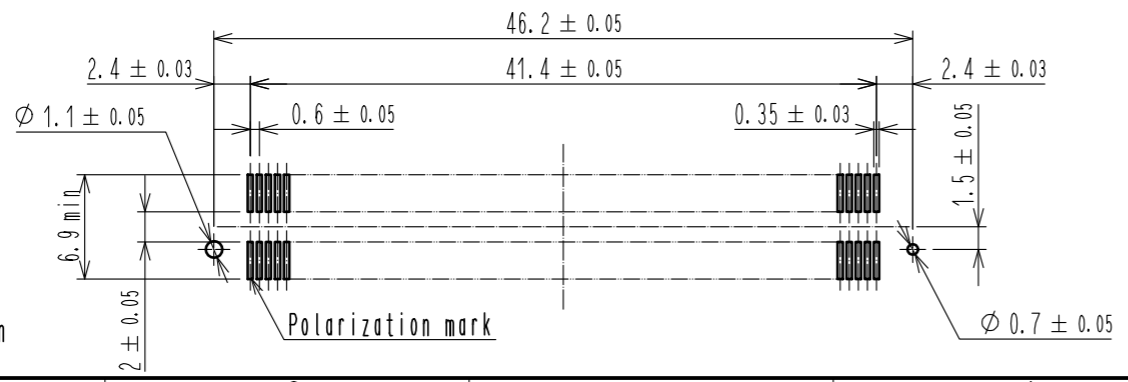


May.1.2023 Copyright 2023 HIROSE ELECTRIC CO., LTD. All Rights Reserved.
In case of consideration for using Automotive equipment / device which demand high reliability, kindly contact our sales window correspondents.



Recommended land pattern dimension of PCB (mounting side) (2:1)



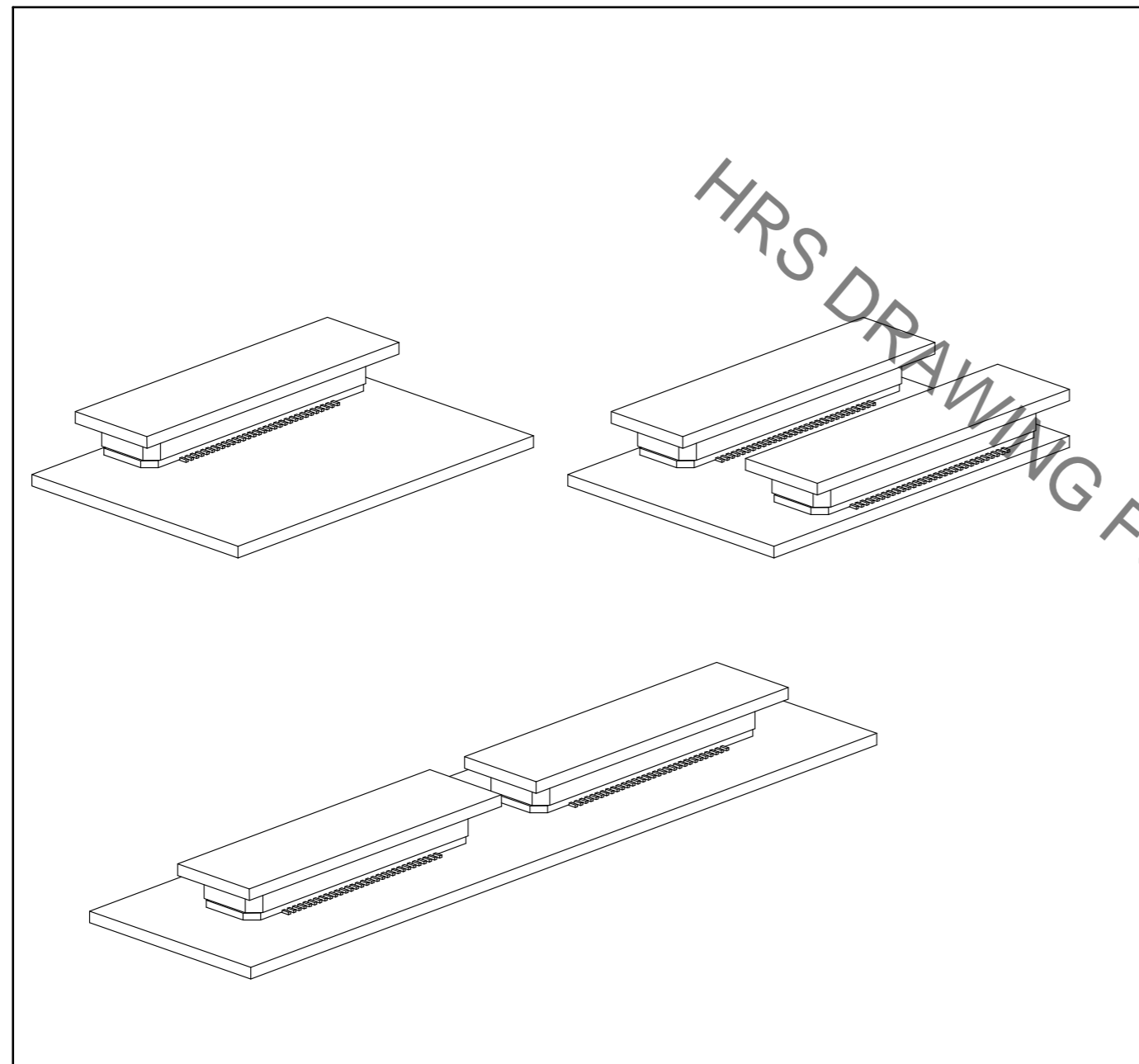
1, 3	PPS	Light brown (UL94V-0)	2	PHOSPHOR BRONZE	Contact area : Gold 0.1μm min. Lead area: Tin-plating 1μm min. Under plating : Nickel 1μm min.
NO.	MATERIAL	FINISH . REMARKS	NO.	MATERIAL	FINISH . REMARKS
UNITS mm		SCALE 5 : 1	COUNT 1	DESCRIPTION OF REVISIONS DIS-F-00006417	DESIGNED KS. NAKAJIMA
APPROVED : HS. OKAWA		20051121	DRAWING NO. EDC-150875-71-25		
CHECKED : HS. OZAWA		20051121	PART NO. FX8C-140P-SV6(71)		
DESIGNED : KY. NAKAMURA		20051118	CODE NO. CL578-0607-0-71		
DRAWN : KY. NAKAMURA		20051118	DATE 20200803		
HRS HIROSE ELECTRIC CO., LTD.		1/2			

May.1.2023 Copyright 2023 HIROSE ELECTRIC CO., LTD. All Rights Reserved.
In case of consideration for using Automotive equipment / device which demand high reliability, kindly contact our sales window correspondents.

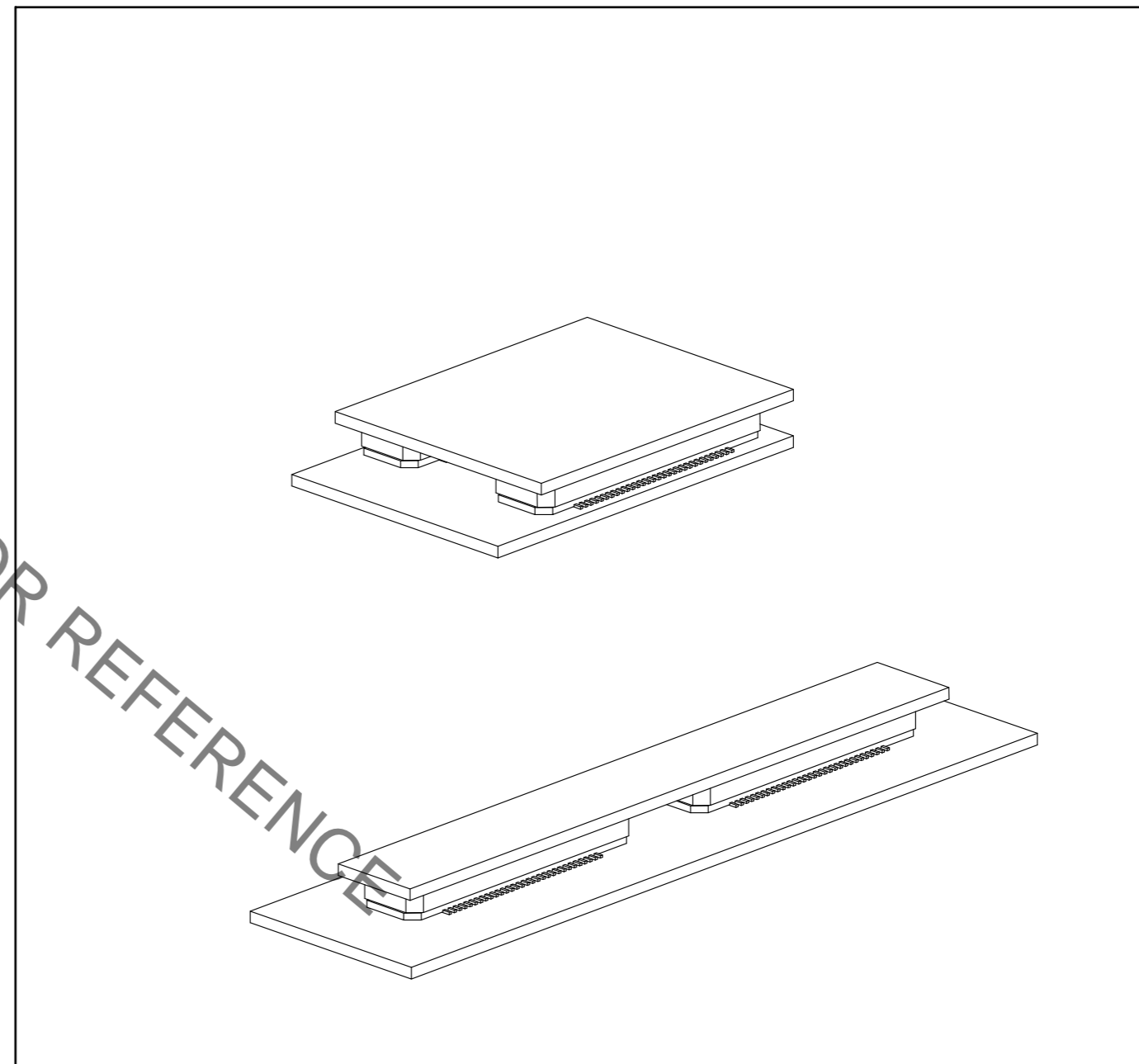
【Precaution】

When a board with multiple connectors mounted is mated, the connector may be damaged or deformed.
Please divide one side of the board so only one connector is mated per board.

OK



NG



HRS

DRAWING NO.	EDC-150875-71-25
PART NO.	FX8C-140P-SV6(71)
CODE NO.	CL578-0607-0-71

2/2