

## FEATURES

- **Low Quiescent Current:**  
     20 $\mu$ A in Active Mode  
     <1 $\mu$ A in Shutdown Mode
- **Operates with  $V_{IN}$  as Low as 1.2V**
- Low  $V_{CESAT}$  Switch: 250mV at 300mA
- Uses Small Surface Mount Components
- High Output Voltage: Up to 34V
- Tiny 10-Pin MSOP Package

## APPLICATIONS

- LCD Bias
- Handheld Computers
- Battery Backup
- Digital Cameras

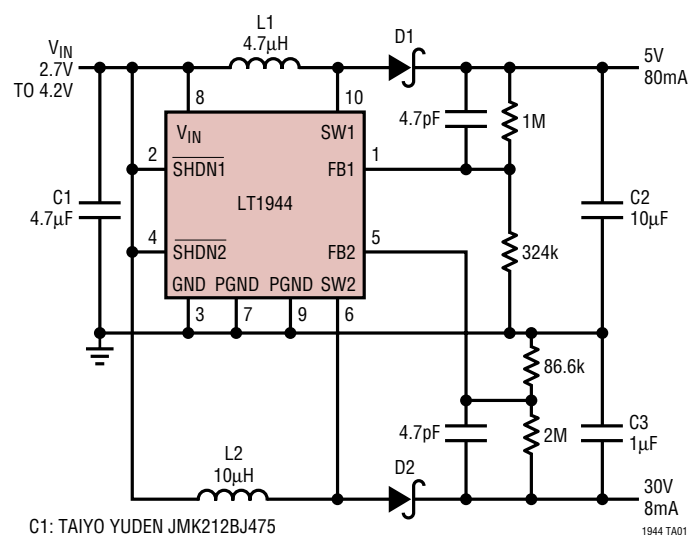
## DESCRIPTION

The LT<sup>®</sup>1944 is a dual micropower step-up DC/DC converter in a 10-pin MSOP package. Each converter is designed with a 350mA current limit and an input voltage range of 1.2V to 15V, making the LT1944 ideal for a wide variety of applications. Both converters feature a quiescent current of only 20 $\mu$ A at no load, which further reduces to 0.5 $\mu$ A in shutdown. A current limited, fixed off-time control scheme conserves operating current, resulting in high efficiency over a broad range of load current. The 36V switch allows high voltage outputs up to 34V to be easily generated in a simple boost topology without the use of costly transformers. The LT1944's low off-time of 400ns permits the use of tiny, low profile inductors and capacitors to minimize footprint and cost in space-conscious portable applications.

 LTC and LT are registered trademarks of Linear Technology Corporation.

## TYPICAL APPLICATION

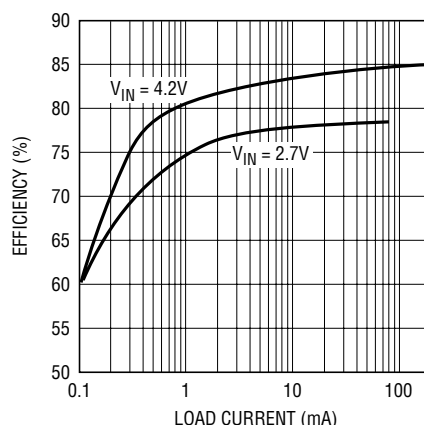
Dual Output (5V, 30V) Boost Converter



C1: TAIYO YUDEN JMK212BJ475  
 C2: TAIYO YUDEN JMK316BJ106  
 C3: TAIYO YUDEN GMK316BJ105  
 D1, D2: ON SEMI MBR0540  
 L1: MURATA LQH3C4R7  
 L2: MURATA LQH3C100

1944 TA01

5V Output Efficiency



1944 TA01a

## ABSOLUTE MAXIMUM RATINGS

(Note 1)

|  |                |
|--|----------------|
| $V_{IN}$ , $\overline{SHDN1}$ , $\overline{SHDN2}$ Voltage ..... | 15V            |
| SW1, SW2 Voltage .....   | 36V            |
| FB1, FB2 Voltage .....   | $V_{IN}$       |
| Current into FB1, FB2 Pins .....                                 | 1mA            |
| Junction Temperature .....                                       | 125°C          |
| Operating Temperature Range (Note 2) ..                          | -40°C to 85°C  |
| Storage Temperature Range .....                                  | -65°C to 150°C |
| Lead Temperature (Soldering, 10 sec) .....                       | 300°C          |

## PACKAGE/ORDER INFORMATION

|  |                   |
|--|-------------------|
|  | ORDER PART NUMBER |
|  | LT1944EMS         |
|  | MS10 PART MARKING |
|  | LTRR              |

Consult LTC Marketing for parts specified with wider operating temperature ranges.

## ELECTRICAL CHARACTERISTICS

The ● denotes the specifications which apply over the full operating temperature range, otherwise specifications are at  $T_A = 25^\circ\text{C}$ .  $V_{IN} = 1.2\text{V}$ ,  $V_{\overline{SHDN}} = 1.2\text{V}$  unless otherwise noted.

| PARAMETER                            | CONDITIONS   | MIN     | TYP  | MAX   | UNITS         |
|--------------------------------------|--|---------|------|-------|---------------|
| Minimum Input Voltage                |  |         |      | 1.2   | V             |
| Quiescent Current, Each Switcher     | Not Switching<br>$V_{\overline{SHDN}} = 0\text{V}$                       |         | 20   | 30    | $\mu\text{A}$ |
| FB Comparator Trip Point             |  | ● 1.205 | 1.23 | 1.255 | V             |
| FB Comparator Hysteresis             |  |         | 8    |       | mV            |
| FB Voltage Line Regulation           | $1.2\text{V} < V_{IN} < 12\text{V}$                                      |         | 0.05 | 0.1   | %/V           |
| FB Pin Bias Current (Note 3)         | $V_{FB} = 1.23\text{V}$  | ●       | 30   | 80    | nA            |
| Switch Off Time                      | $V_{FB} > 1\text{V}$<br>$V_{FB} < 0.6\text{V}$                           |         | 400  |       | ns            |
| Switch $V_{CESAT}$                   | $I_{SW} = 300\text{mA}$  |         | 250  | 350   | mV            |
| Switch Current Limit                 |  | 250     | 350  | 400   | mA            |
| $\overline{SHDN}$ Pin Current        | $V_{\overline{SHDN}} = 1.2\text{V}$<br>$V_{\overline{SHDN}} = 5\text{V}$ |         | 2    | 3     | $\mu\text{A}$ |
| $\overline{SHDN}$ Input Voltage High |  | 0.9     |      |       | V             |
| $\overline{SHDN}$ Input Voltage Low  |  |         |      | 0.25  | V             |
| Switch Leakage Current               | Switch Off, $V_{SW} = 5\text{V}$   |         | 0.01 | 5     | $\mu\text{A}$ |

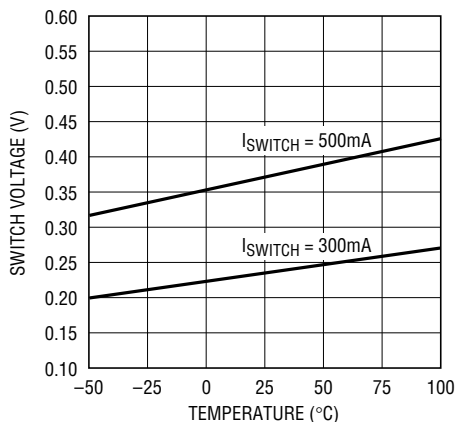
**Note 1:** Absolute Maximum Ratings are those values beyond which the life of a device may be impaired.

**Note 2:** The LT1944 is guaranteed to meet performance specifications from 0°C to 70°C. Specifications over the -40°C to 85°C operating temperature range are assured by design, characterization and correlation with statistical process controls.

**Note 3:** Bias current flows into the FB pin.

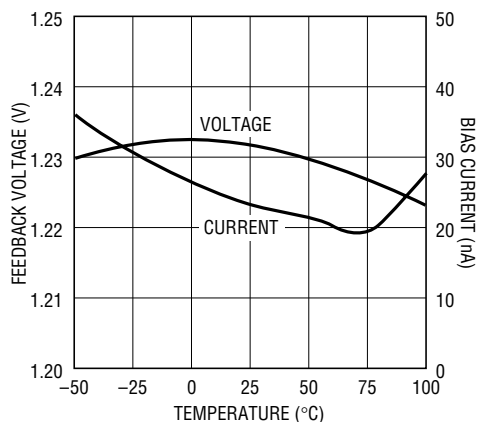
## TYPICAL PERFORMANCE CHARACTERISTICS

**Switch Saturation Voltage ( $V_{CESAT}$ )**



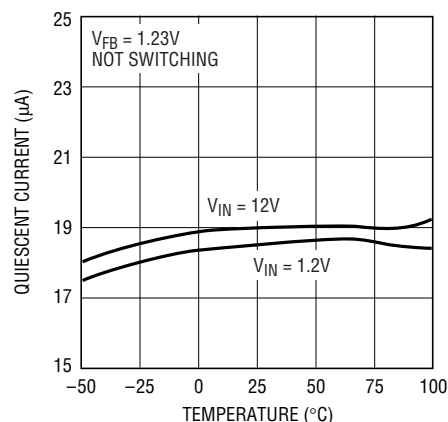
1944 G01

**Feedback Pin Voltage and Bias Current**



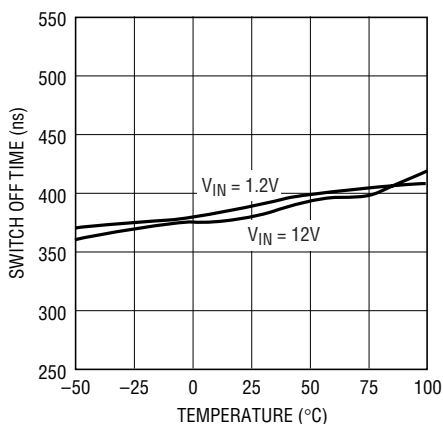
1944 G02

**Quiescent Current**



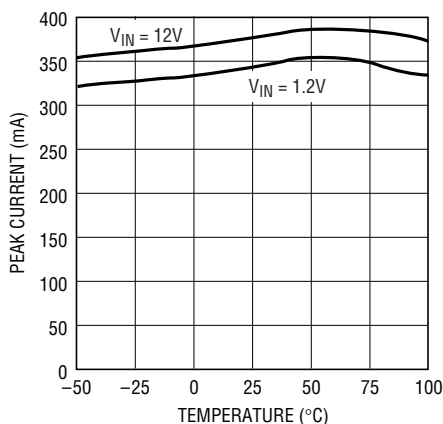
1944 G03

**Switch Off Time**



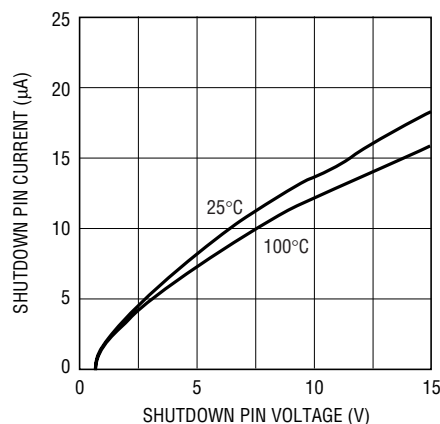
1944 G04

**Switch Current Limit**



1944 G05

**Shutdown Pin Current**



1944 G03

## PIN FUNCTIONS

**FB1 (Pin 1):** Feedback Pin for Switcher 1. Set the output voltage by selecting values for R1 and R2.

**SHDN1 (Pin 2):** Shutdown Pin for Switcher 1. Tie this pin to 0.9V or higher to enable device. Tie below 0.25V to turn it off.

**GND (Pin 3):** Ground. Tie this pin directly to the local ground plane.

**SHDN2 (Pin 4):** Shutdown Pin for Switcher 2. Tie this pin to 0.9V or higher to enable device. Tie below 0.25V to turn it off.

**FB2 (Pin 5):** Feedback Pin for Switcher 2. Set the output voltage by selecting values for R1B and R2B.

**SW2 (Pin 6):** Switch Pin for Switcher 2. This is the collector of the internal NPN power switch. Minimize the metal trace area connected to the pin to minimize EMI.

**PGND (Pins 7, 9):** Power Ground. Tie these pins directly to the local ground plane. Both pins must be tied.

**$V_{IN}$  (Pin 8):** Input Supply Pin. Bypass this pin with a capacitor as close to the device as possible.

**SW1 (Pin 10):** Switch Pin for Switcher 1. This is the collector of the internal NPN power switch. Minimize the metal trace area connected to the pin to minimize EMI.

## BLOCK DIAGRAM

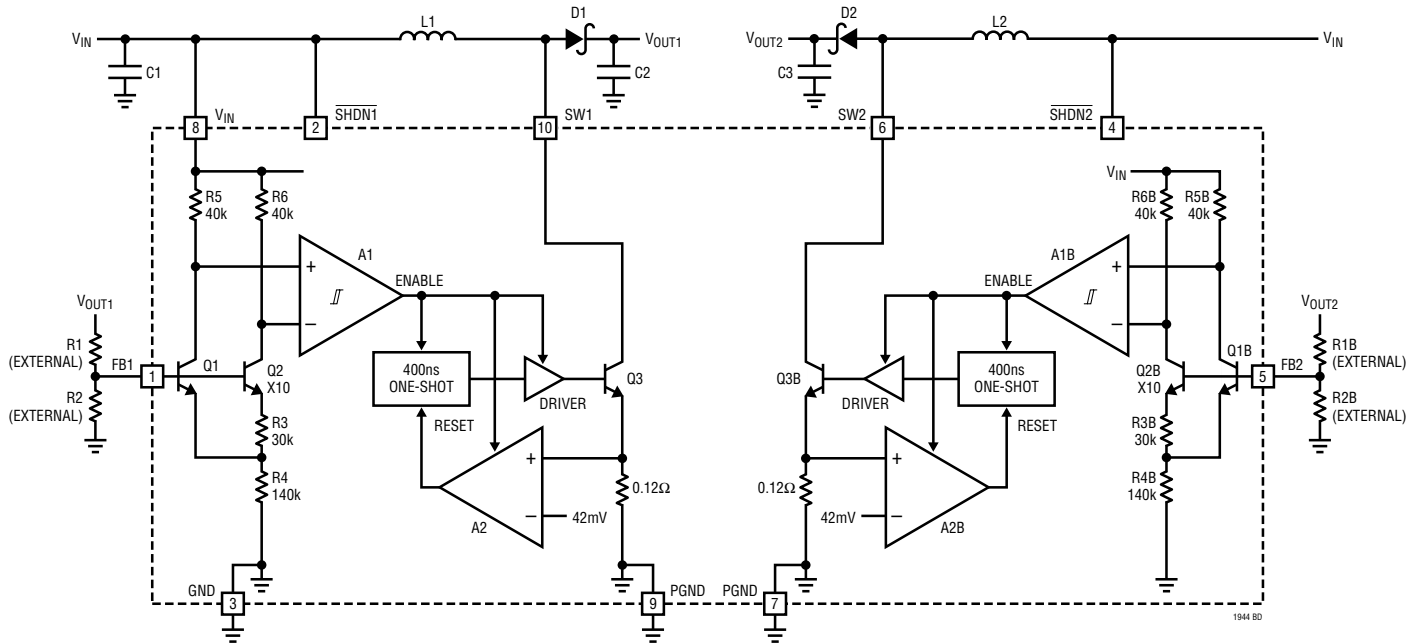


Figure 1. LT1944 Block Diagram

## OPERATION

The LT1944 uses a constant off-time control scheme to provide high efficiencies over a wide range of output current. Operation can be best understood by referring to the block diagram in Figure 1. Q1 and Q2 along with R3 and R4 form a bandgap reference used to regulate the output voltage. When the voltage at the FB1 pin is slightly above 1.23V, comparator A1 disables most of the internal circuitry. Output current is then provided by capacitor C2, which slowly discharges until the voltage at the FB1 pin drops below the lower hysteresis point of A1 (typical hysteresis at the FB pin is 8mV). A1 then enables the internal circuitry, turns on power switch Q3, and the current in inductor L1 begins ramping up. Once the switch current reaches 350mA, comparator A2 resets the one-shot, which turns off Q3 for 400ns. L1 then delivers current to the output through diode D1 as the inductor

current ramps down. Q3 turns on again and the inductor current ramps back up to 350mA, then A2 resets the one-shot, again allowing L1 to deliver current to the output. This switching action continues until the output voltage is charged up (until the FB1 pin reaches 1.23V), then A1 turns off the internal circuitry and the cycle repeats. The LT1944 contains additional circuitry to provide protection during start-up and under short-circuit conditions. When the FB1 pin voltage is less than approximately 600mV, the switch off-time is increased to 1.5μs and the current limit is reduced to around 250mA (70% of its normal value). This reduces the average inductor current and helps minimize the power dissipation in the power switch and in the external inductor and diode. The second switching regulator operates in the same manner.

## APPLICATIONS INFORMATION

### Choosing an Inductor

Several recommended inductors that work well with the LT1944 are listed in Table 1, although there are many other manufacturers and devices that can be used. Consult each manufacturer for more detailed information and for their entire selection of related parts. Many different sizes and shapes are available. Use the equations and recommendations in the next few sections to find the correct inductance value for your design.

**Table 1. Recommended Inductors**

| PART         | VALUE (μH) | MAX DCR (Ω) | VENDOR            |
|--------------|------------|-------------|-------------------|
| LQH3C4R7     | 4.7        | 0.26        | Murata            |
| LQH3C100     | 10         | 0.30        | (714) 852-2001    |
| LQH3C220     | 22         | 0.92        | www.murata.com    |
| CD43-4R7     | 4.7        | 0.11        | Sumida            |
| CD43-100     | 10         | 0.18        | (847) 956-0666    |
| CDRH4D18-4R7 | 4.7        | 0.16        | www.sumida.com    |
| CDRH4D18-100 | 10         | 0.20        |                   |
| DO1608-472   | 4.7        | 0.09        | Coilcraft         |
| DO1608-103   | 10         | 0.16        | (847) 639-6400    |
| DO1608-223   | 22         | 0.37        | www.coilcraft.com |

### Inductor Selection—Boost Regulator

The formula below calculates the appropriate inductor value to be used for a boost regulator using the LT1944 (or at least provides a good starting point). This value provides a good tradeoff in inductor size and system performance. Pick a standard inductor close to this value. A larger value can be used to slightly increase the available output current, but limit it to around twice the value calculated below, as too large of an inductance will increase the output voltage ripple without providing much additional output current. A smaller value can be used (especially for systems with output voltages greater than 12V) to give a smaller physical size. Inductance can be calculated as:

$$L = \frac{V_{OUT} - V_{IN(MIN)} + V_D}{I_{LIM}} t_{OFF}$$

where  $V_D = 0.4V$  (Schottky diode voltage),  $I_{LIM} = 350mA$  and  $t_{OFF} = 400ns$ ; for designs with varying  $V_{IN}$  such as battery powered applications, use the minimum  $V_{IN}$  value in the above equation. For most systems with output

voltages below 7V, a 4.7μH inductor is the best choice, even though the equation above might specify a smaller value. This is due to the inductor current overshoot that occurs when very small inductor values are used (see Current Limit Overshoot section).

For higher output voltages, the formula above will give large inductance values. For a 2V to 20V converter (typical LCD Bias application), a 21μH inductor is called for with the above equation, but a 10μH inductor could be used without excessive reduction in maximum output current.

### Inductor Selection—SEPIC Regulator

The formula below calculates the approximate inductor value to be used for a SEPIC regulator using the LT1944. As for the boost inductor selection, a larger or smaller value can be used.

$$L = 2 \left( \frac{V_{OUT} + V_D}{I_{LIM}} \right) t_{OFF}$$

### Current Limit Overshoot

For the constant off-time control scheme of the LT1944, the power switch is turned off only after the 350mA current limit is reached. There is a 100ns delay between the time when the current limit is reached and when the switch actually turns off. During this delay, the inductor current exceeds the current limit by a small amount. The peak inductor current can be calculated by:

$$I_{PEAK} = I_{LIM} + \left( \frac{V_{IN(MAX)} - V_{SAT}}{L} \right) 100ns$$

Where  $V_{SAT} = 0.25V$  (switch saturation voltage). The current overshoot will be most evident for systems with high input voltages and for systems where smaller inductor values are used. This overshoot can be beneficial as it helps increase the amount of available output current for smaller inductor values. This will be the peak current seen by the inductor (and the diode) during normal operation. For designs using small inductance values (especially at input voltages greater than 5V), the current limit overshoot can be quite high. Although it is internally current

## APPLICATIONS INFORMATION

limited to 350mA, the power switch of the LT1944 can handle larger currents without problem, but the overall efficiency will suffer. Best results will be obtained when  $I_{PEAK}$  is kept below 700mA for the LT1944.

### Capacitor Selection

Low ESR (Equivalent Series Resistance) capacitors should be used at the output to minimize the output ripple voltage. Multilayer ceramic capacitors are the best choice, as they have a very low ESR and are available in very small packages. Their small size makes them a good companion to the LT1944's MS10 package. Solid tantalum capacitors (like the AVX TPS, Sprague 593D families) or OS-CON capacitors can be used, but they will occupy more board area than a ceramic and will have a higher ESR. Always use a capacitor with a sufficient voltage rating.

Ceramic capacitors also make a good choice for the input decoupling capacitor, which should be placed as close as possible to the LT1944. A 4.7 $\mu$ F input capacitor is sufficient for most applications. Table 2 shows a list of several capacitor manufacturers. Consult the manufacturers for more detailed information and for their entire selection of related parts.

**Table 2. Recommended Capacitors**

| CAPACITOR TYPE | VENDOR   |
|----------------|--|
| Ceramic        | Taiyo Yuden<br>(408) 573-4150<br>www.t-yuden.com |
| Ceramic        | AVX<br>(803) 448-9411<br>www.avxcorp.com         |
| Ceramic        | Murata<br>(714) 852-2001<br>www.murata.com       |

### Setting the Output Voltage

Set the output voltage for each switching regulator by choosing the appropriate values for feedback resistors R1 and R2 (see Figure 1).

$$R1 = R2 \left( \frac{V_{OUT}}{1.23V} - 1 \right)$$

### Diode Selection

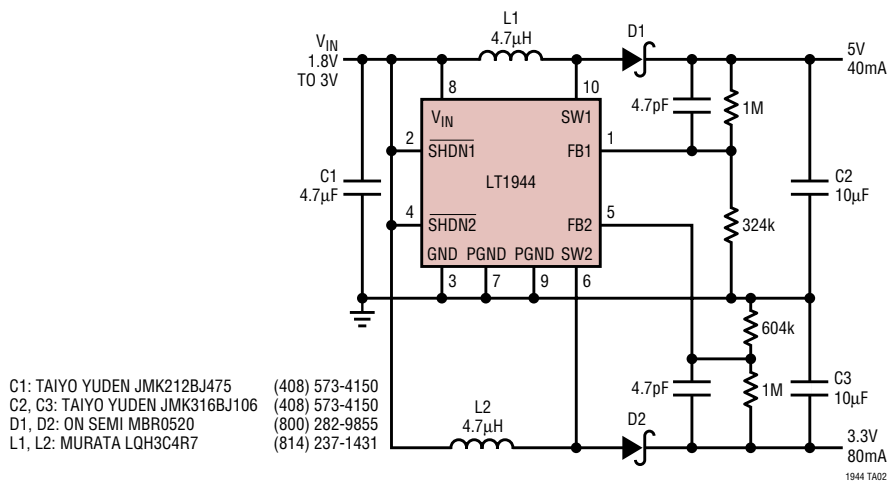
For most LT1944 applications, the Motorola MBR0520 surface mount Schottky diode (0.5A, 20V) is an ideal choice. Schottky diodes, with their low forward voltage drop and fast switching speed, are the best match for the LT1944. For higher output voltage applications the 30V MBR0530 or 40V MBR0540 can be used. Many different manufacturers make equivalent parts, but make sure that the component is rated to handle at least 0.35A.

### Lowering Output Voltage Ripple

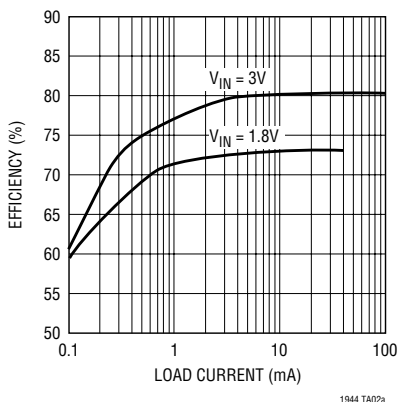
Using low ESR capacitors will help minimize the output ripple voltage, but proper selection of the inductor and the output capacitor also plays a big role. The LT1944 provides energy to the load in bursts by ramping up the inductor current, then delivering that current to the load. If too large of an inductor value or too small of a capacitor value is used, the output ripple voltage will increase because the capacitor will be slightly overcharged each burst cycle. To reduce the output ripple, increase the output capacitor value or add a 4.7pF feed-forward capacitor in the feedback network of the LT1944 (see the circuits in the Typical Applications section). Adding this small, inexpensive 4.7pF capacitor will greatly reduce the output voltage ripple.

# TYPICAL APPLICATIONS

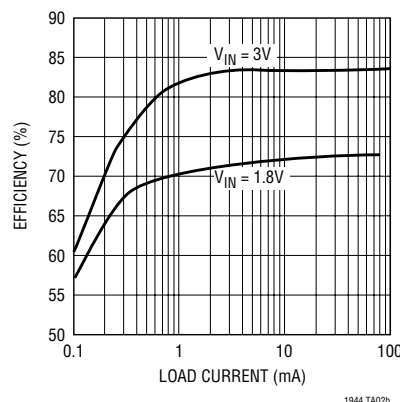
## 2-Cell Dual Output (3.3V, 5V) Boost Converter



2-Cell to 5V Efficiency

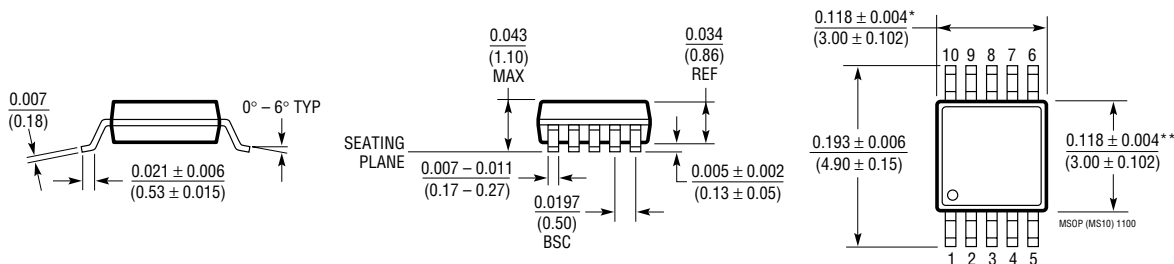


2-Cell to 3.3V Efficiency



# PACKAGE DESCRIPTION

## MS10 Package 10-Lead Plastic MSOP (LTC DWG # 05-08-1661)



\* DIMENSION DOES NOT INCLUDE MOLD FLASH, PROTRUSIONS OR GATE BURRS. MOLD FLASH, PROTRUSIONS OR GATE BURRS SHALL NOT EXCEED 0.006\* (0.152mm) PER SIDE  
 \*\* DIMENSION DOES NOT INCLUDE INTERLEAD FLASH OR PROTRUSIONS. INTERLEAD FLASH OR PROTRUSIONS SHALL NOT EXCEED 0.006\* (0.152mm) PER SIDE



