

## Features

- UL F class rated standard
- Small size and light weight
- Capable of handling 1000W lamp loads
- Designed to withstand high inrush loads (100A)

## Contact Data

|                     |   |                           |   |
|---------------------|---|---------------------------|---|
| Contact Arrangement | 1A = SPST N.O.<br>1C = SPDT   | Contact Resistance        | < 50 milliohms initial                            |
| UL Contact Ratings  | 20A @ 125VAC<br>16A @ 277VAC<br>10A @ 250VAC, General Purpose, 20K cycles, 85°C<br>TV-8, 120VAC<br>1hp @ 125/250 N.O.<br>1/2hp @ 125/250 N.C. | Contact Material          | AgSnO <sub>2</sub> In <sub>2</sub> O <sub>3</sub> |
| TÜV Contact Rating  | NO : 15A @ 250VAC, Resistive, 10K cycles, 85°C  | Maximum Switching Power   | 500W, 4500VA                                      |
|                     |   | Maximum Switching Voltage | 380VAC, 110VDC                                    |
|                     |   | Maximum Switching Current | 20A   |

## Coil Data

| Coil Voltage VDC |      | Coil Resistance Ω +/- 10% |      | Pick Up Voltage VDC (max) | Release Voltage VDC (min) | Coil Power W | Operate Time ms | Release Time ms |
|------------------|------|---------------------------|------|---------------------------|---------------------------|--------------|-----------------|-----------------|
| Rated            | Max  | .36W                      | .45W | 75% of rated voltage      | 10% of rated voltage      |              |                 |                 |
| 5                | 6.5  | 70                        | 56   | 3.75                      | 0.5                       | .36<br>.45   | 10              | 5               |
| 9                | 11.7 | 225                       | 180  | 6.75                      | 0.9                       |              |                 |                 |
| 12               | 15.6 | 400                       | 320  | 9.00                      | 1.2                       |              |                 |                 |
| 24               | 31.2 | 1600                      | 1280 | 18.00                     | 2.4                       |              |                 |                 |
| 48               | 62.4 | 6400                      | 5120 | 36.00                     | 4.8                       |              |                 |                 |

## General Data

|                                      |                                 |
|--------------------------------------|---------------------------------|
| Electrical Life @ rated load         | 100K cycles, typical            |
| Mechanical Life                      | 10M cycles, typical             |
| Insulation Resistance                | 100M Ω min. @ 500VDC            |
| Dielectric Strength, Coil to Contact | 2500V rms min. @ sea level      |
| Contact to Contact                   | 1500V rms min. @ sea level      |
| Shock Resistance                     | 100m/s <sup>2</sup> for 11 ms   |
| Vibration Resistance                 | 1.50mm double amplitude 10~40Hz |
| Terminal (Copper Alloy) Strength     | 10N                             |
| Operating Temperature                | -55°C to +125°C                 |
| Storage Temperature                  | -55°C to +155°C                 |
| Solderability                        | 260°C for 5 s                   |
| Weight                               | 10g                             |

**Caution**  
1. The use of any coil voltage less than the rated coil voltage may compromise the operation of the relay.

# J123F

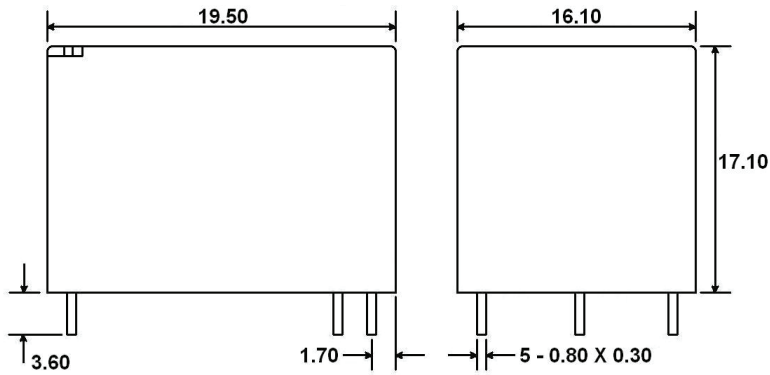


## Ordering Information

|                           |       |    |       |     |
|---------------------------|-------|----|-------|-----|
| 1. Series                 | J123F | 1C | 12VDC | .36 |
| J123F                     |       |    |       |     |
| 2. Contact Arrangement    |       |    |       |     |
| 1A = SPST N.O.            |       |    |       |     |
| 1C = SPDT                 |       |    |       |     |
| 3. Coil Voltage           |       |    |       |     |
| 5VDC                      |       |    |       |     |
| 9VDC                      |       |    |       |     |
| 12VDC                     |       |    |       |     |
| 24VDC                     |       |    |       |     |
| 48VDC                     |       |    |       |     |
| 4. Coil Power             |       |    |       |     |
| .36 = .36W                |       |    |       |     |
| .45 = .45W                |       |    |       |     |
| 5. Sealing Option         |       |    |       |     |
| Blank = Sealed (standard) |       |    |       |     |

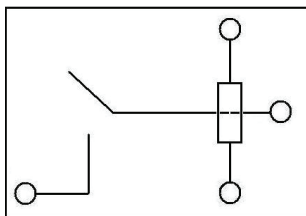
## Dimensions

Units = mm

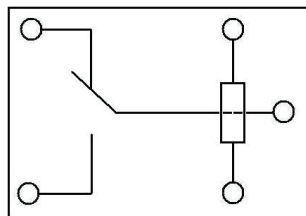


## Schematics & PC Layouts

Bottom Views



1A



1C

