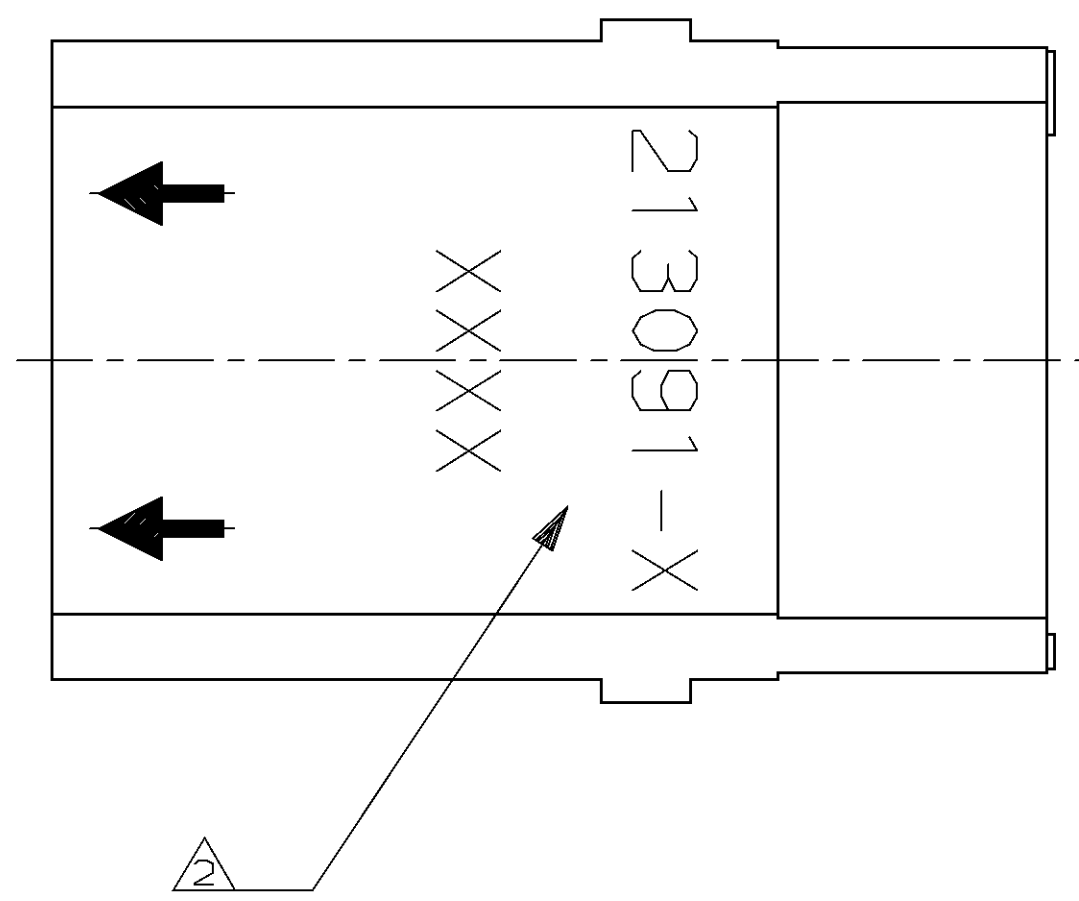
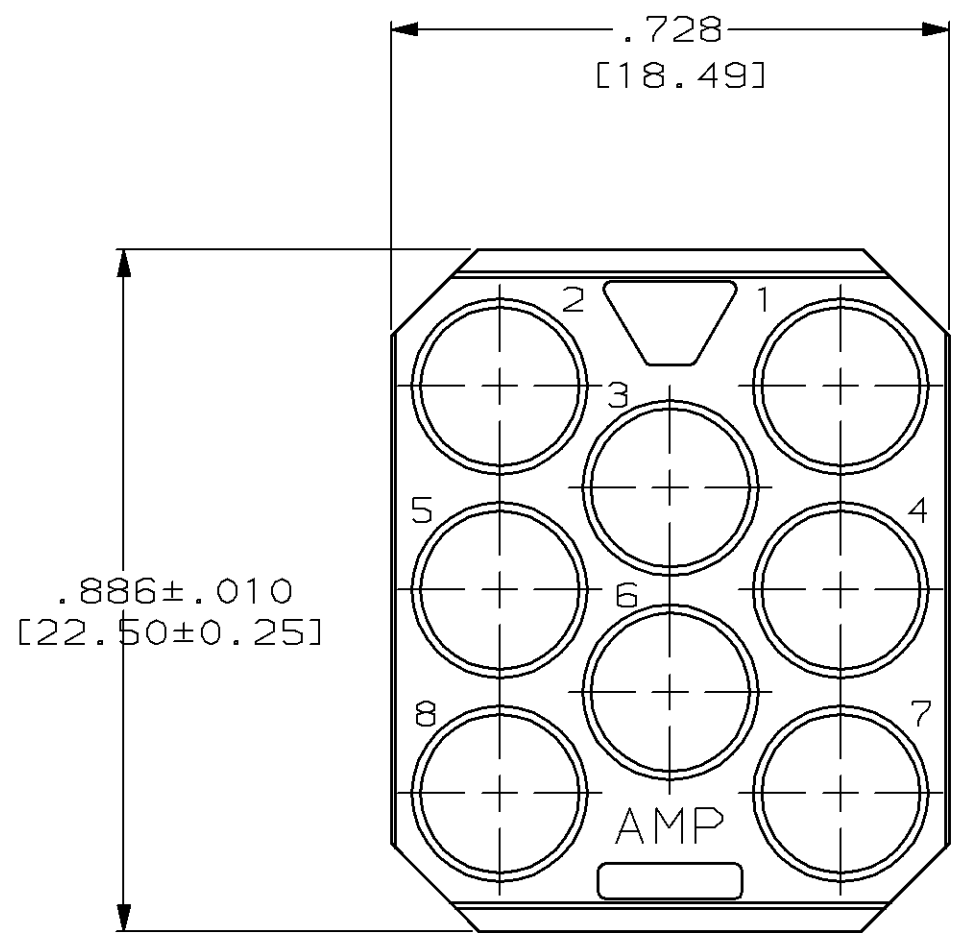
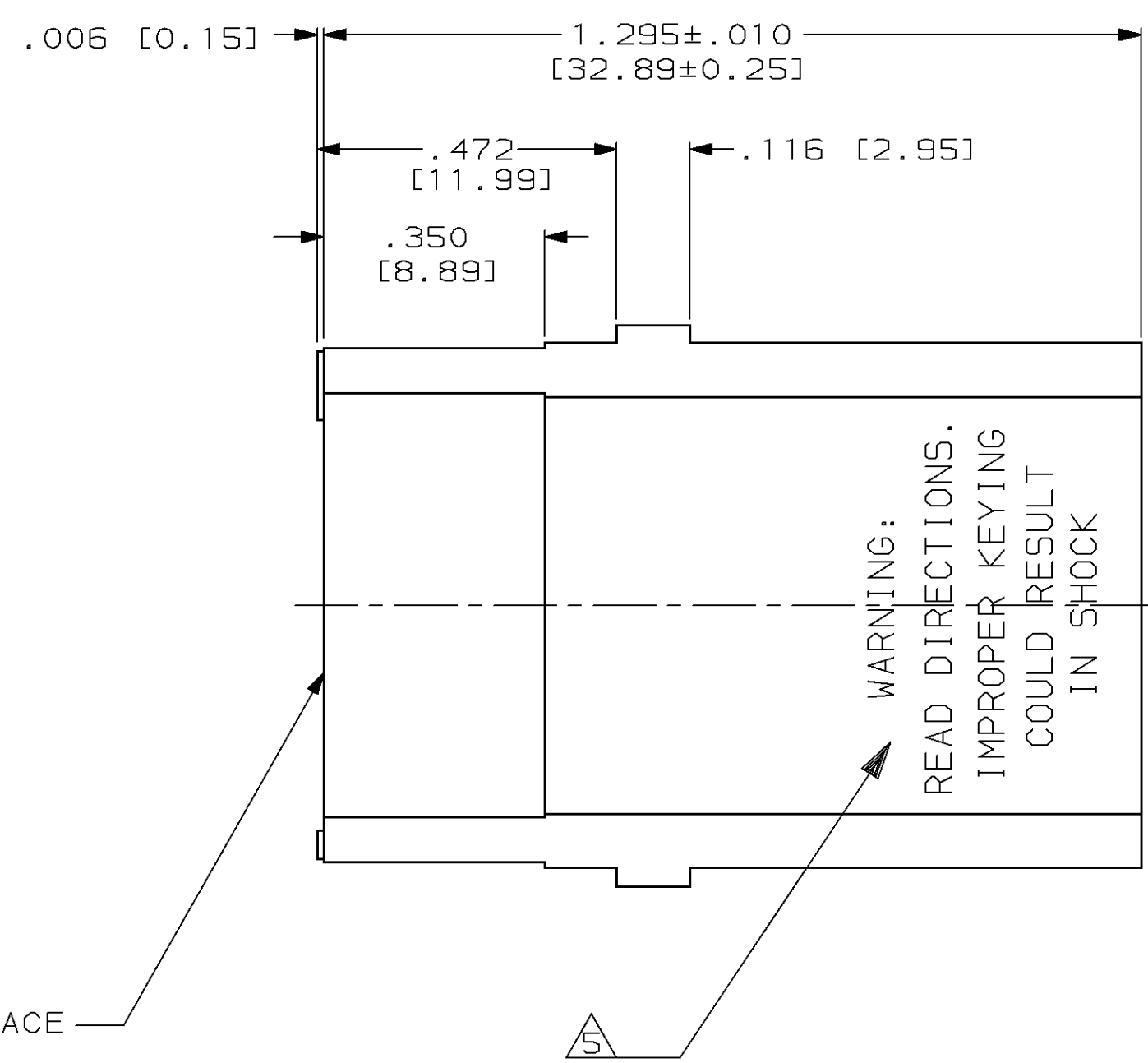


LOC	DIST	P	F	ZONE	LTR	DESCRIPTION	DATE	APPD
DF	BO				B	REV & REDRAWN DF-4297	PY 11-91	DBM
					C	REV PER 0600-4161-95 JB	08-30-95	DBM



- ① MATERIAL: DIALLYL PHTHALATE PER MIL-M-14, TYPESDG-F, COLOR-BLUE
- ② AMP PART NO AND DATE CODE AND ARROWS MARKED WITH WHITE INK OR BY LASER MARKING AT APPROXIMATE AREA SHOWN
- ③ THIS MODULE ACCEPTS TYPE I, SIZE 12 AND MINIATURE COAXICON SOCKET CONTACTS
- ④ THIS MODULE ACCEPTS TYPE I, SIZE 12 (IN CAVITIES 3, 4, 5 & 6 ONLY) AND MINIATURE COAXICON SOCKET CONTACTS
- ⑤ WARNING STATEMENT MARKED WITH WHITE INK AT APPROXIMATE AREA SHOWN.

AS SHOWN ④	213091-4
AS SHOWN ③	213091-2
DESCRIPTION	PART NUMBER

DO NOT SCALE PRINT. UNLESS SPECIFIED DIMENSIONS IN INCHES [mm] TOLERANCES ON : 2 PLC DEC ± - 3 PLC DEC ± .005 ANGLES ± -	DR 9-16-91 P. YEAGER	AMP Incorporated Harrisburg, PA 17105-3608	
	CHK 11-12-91 D.B. MUMMEY		
MATERIAL ①	APPD 11-12-91 D.B. MUMMEY	NAME	
	APPD -	FEMALE BLOCK 8 POSN, G SERIES	
FINISH -	PRODUCT SPEC -	SIZE ©	CAGE CODE 00779
	APPLICATION SPEC -	SCALE 4:1	DRAWING NO 213091
WEIGHT -			SHEET 1 OF 1