



Electrical Specifications

Center Frequency: 413 MHz
Bandwidth: 2.6 MHz
Pass Band: 411.7-414.3 MHz
Insertion Loss: 3.5 dB Max
Ripple: 1.0 dB Max
VSWR in Bandwidth: 1.50:1 Max
Attenuation: >47 dBc @ $F_o \pm 28.5$ MHz
In/Out Impedance: 50 Ω

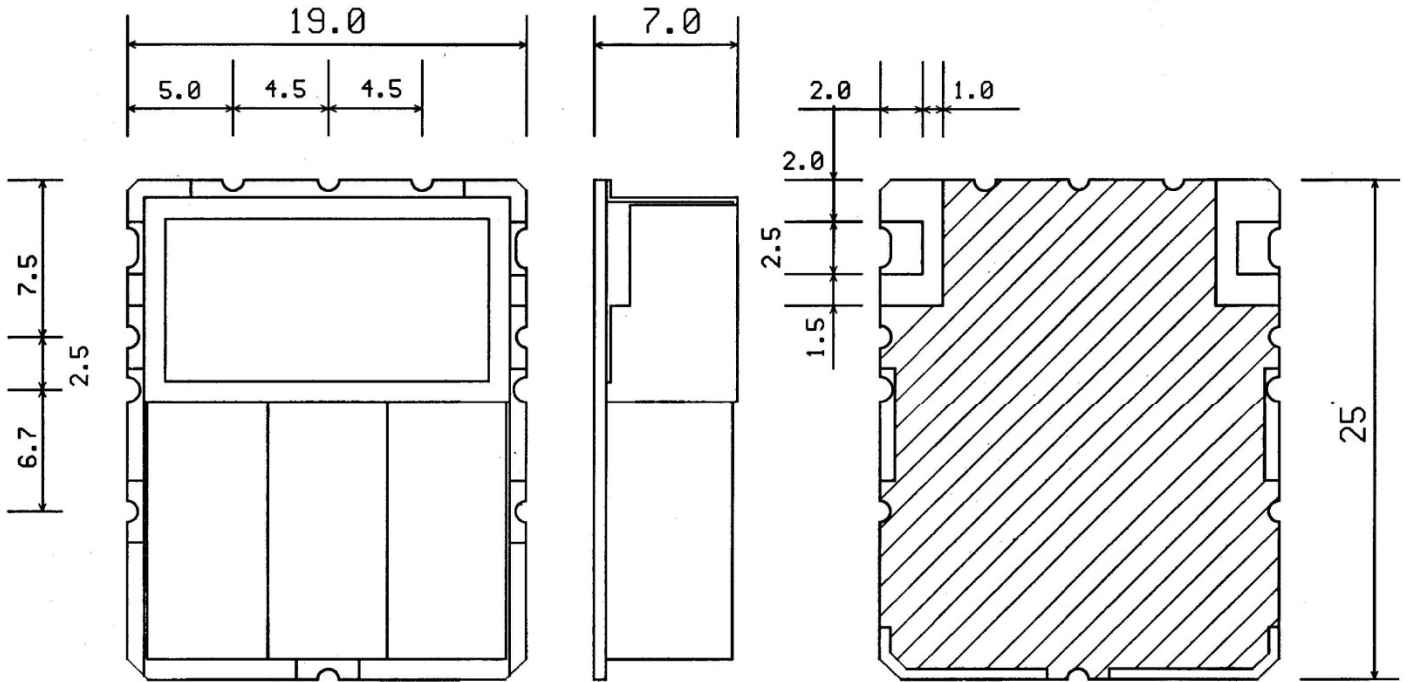
Mechanical

Mounting Method: SMT
Dimensions: 25.0 x 19.0 x 7.0 mm

Environmental

Operating Temperature: -40 to +85° C
Storage Temperature: -50 to +95° C
Shock: 20 G. 11 ms
Vibration: 20 G. 5 to 200 MHz

Outline Drawing:



Tolerance Unless Specified : +/- 0.3
 Unit : mm