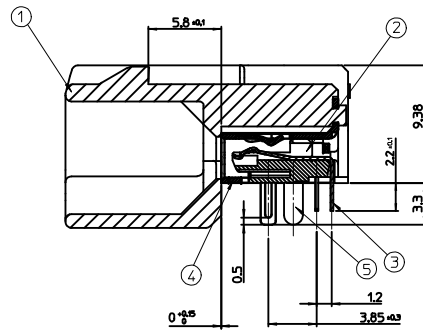
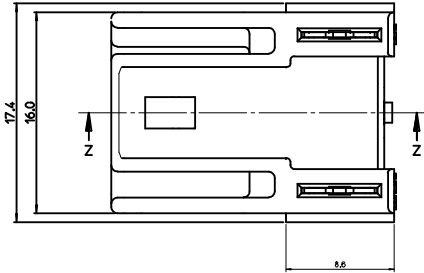
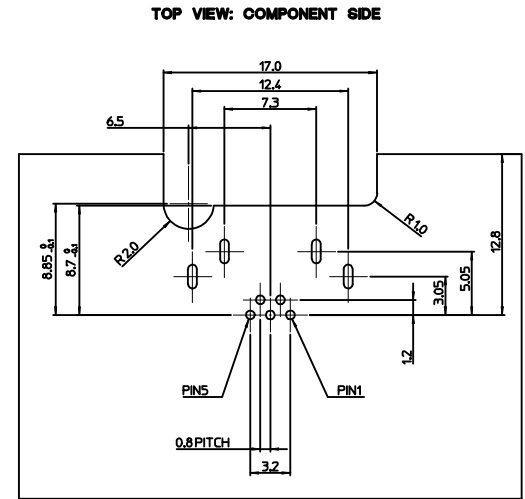


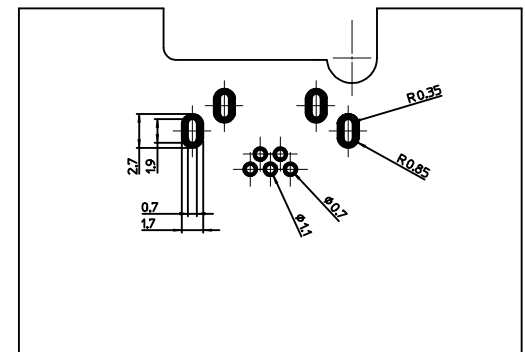
ISOVIEW



SECTION Z-Z

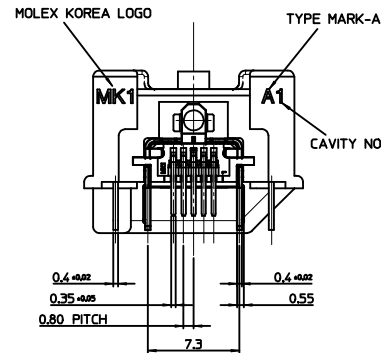
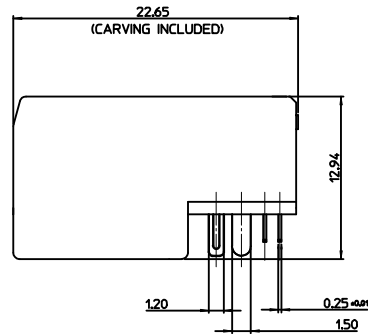
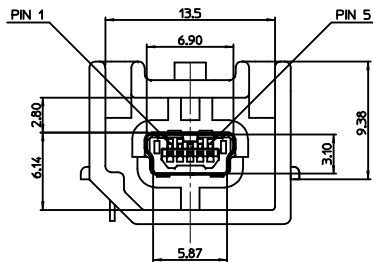


BOTTOM VIEW: SOLDER SIDE



GENERAL TOLERANCE : ±0.05

**RECOMMENDED PCB LAYOUT**

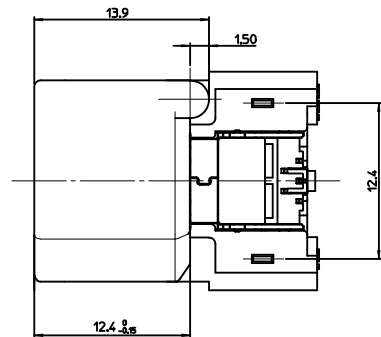


<PART LIST>

NO.	PART NAME	MATERIALS
①	SHROUD	LCP, GLASS FILLED, UL94 V-0
②	REC. HOUSING	LCP, GLASS FILLED, UL94 V-0
③	TERMINAL	COPPER ALLOY
④	SHIELD CASE	PHOSPHOR BRONZE
⑤	FITTING NAIL	BRASS

NOTES

- MATES WITH :  
(MOLEX SERIES NO. : 111014, 111015, 111005, 111041, 111019, 111020)
- SHROUD GEOMETRY AND ASSEMBLY WITH USB MINI-B CONNECTOR ARE ACCORDING TO USCAR STD 999-U-USB-Z01
- FINISHES
  - TERMINAL :  
CONTACT AREA : GOLD 0.75μm MIN.  
SOLDER TAIL AREA : TIN 3.8μm MIN.  
UNDER PLATING : NI 1.25μm MIN.
  - SHIELD CASE :  
3.0μm MIN. TIN OVER NI 1.0μm MIN.
  - FITTING NAIL :  
3.0μm MIN. TIN OVER NI 1.0μm MIN.
- UNLESS OTHERWISE SPECIFIED, TYPICAL RECOMMENDED PCB MANUFACTURING TOLERANCE IS ±0.05
- PCB THICKNESS : 1.6mm(REFERENCE)



<TABLE 1>

MATERIAL NO.	ORDER NO.	PACKAGING	COLOR
496160101	49616-0101	Tray	BLACK
496160301	49616-0301	REEL & TAPE	BLACK

REVISED REC NO: K1R2015-0001 DRAWN BY: YIBAEC CHKD: APPR: JYCHOI A1	DESCRIPTION 2014/08/21	QUALITY SYMBOLS ▽=0 ▽=0	GENERAL TOLERANCES (UNLESS SPECIFIED) mm INCH 4 PLACES ± --- ± --- 3 PLACES ± --- ± --- 2 PLACES ± 0.25 ± --- 1 PLACE ± 0.15 ± --- ANGULAR ± 1°	DIMENSION STYLE MM ONLY	SCALE DESIGN UNITS METRIC	THIRD ANGLE PROJECTION	
		DRAWN BY YIBAEC CHECKED BY DATE 2014/07/31	DATE 2014/07/31	TITLE HSAUTOLINK R/A HEADER T TYPE - A (SOLDER TAIL =2.2MM)	APPROVED BY JYCHOI DATE 2014/08/21	MATERIAL NO. MOLEX MOLEX INCORPORATED	SHEET NO. 1 OF 1
		DRAFT WHERE APPLICABLE MUST REMAIN WITHIN DIMENSIONS	SEE TABLE	DOCUMENT NO. SD-49616-003	THIS DRAWING CONTAINS INFORMATION THAT IS PROPRIETARY TO MOLEX INCORPORATED AND SHOULD NOT BE USED WITHOUT WRITTEN PERMISSION		
		SIZE 1					