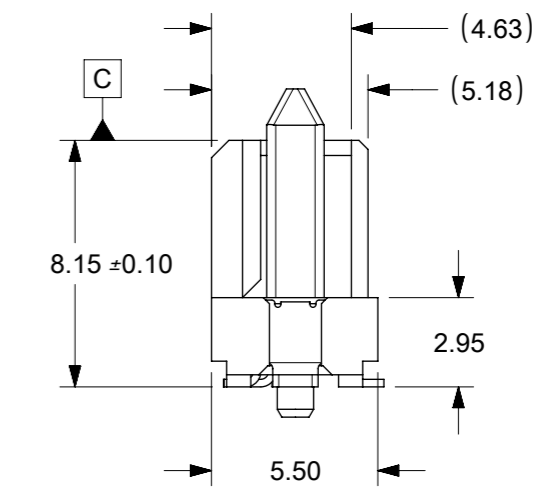
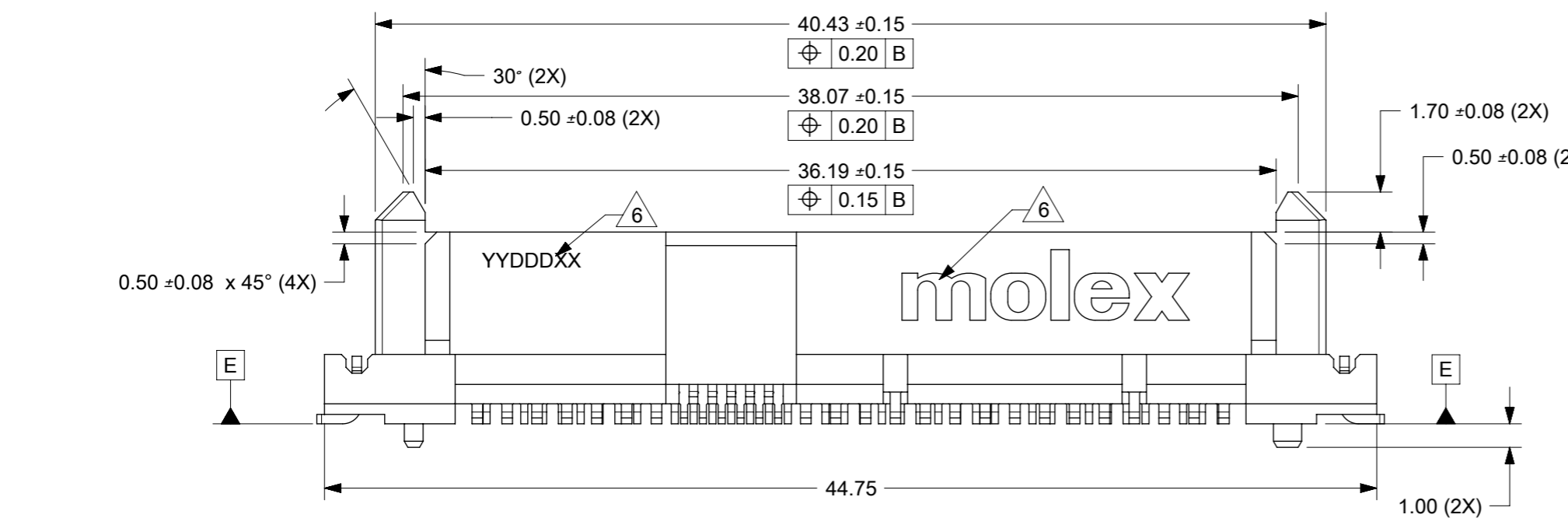


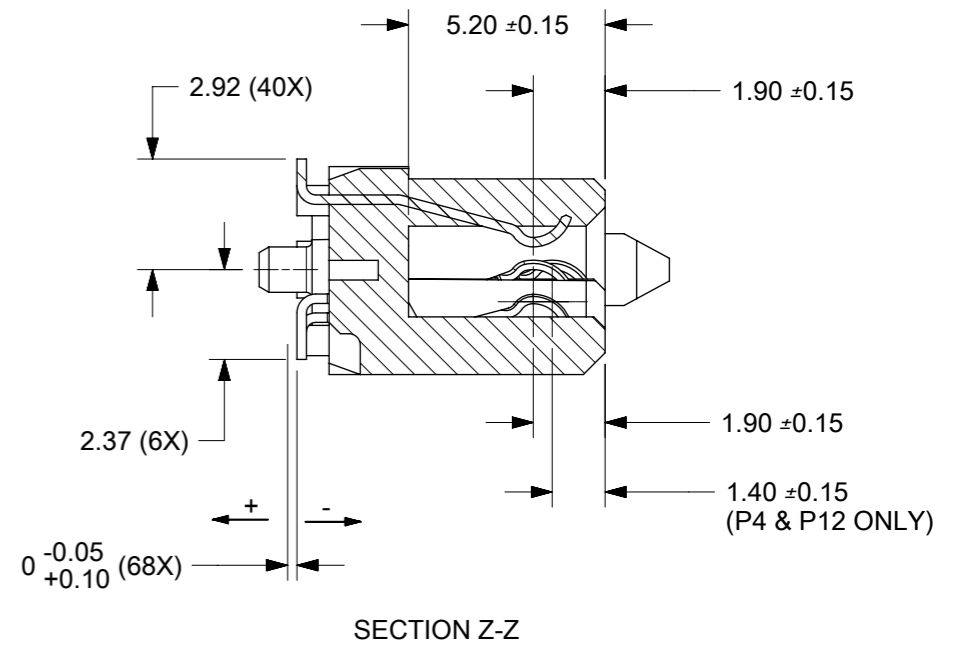
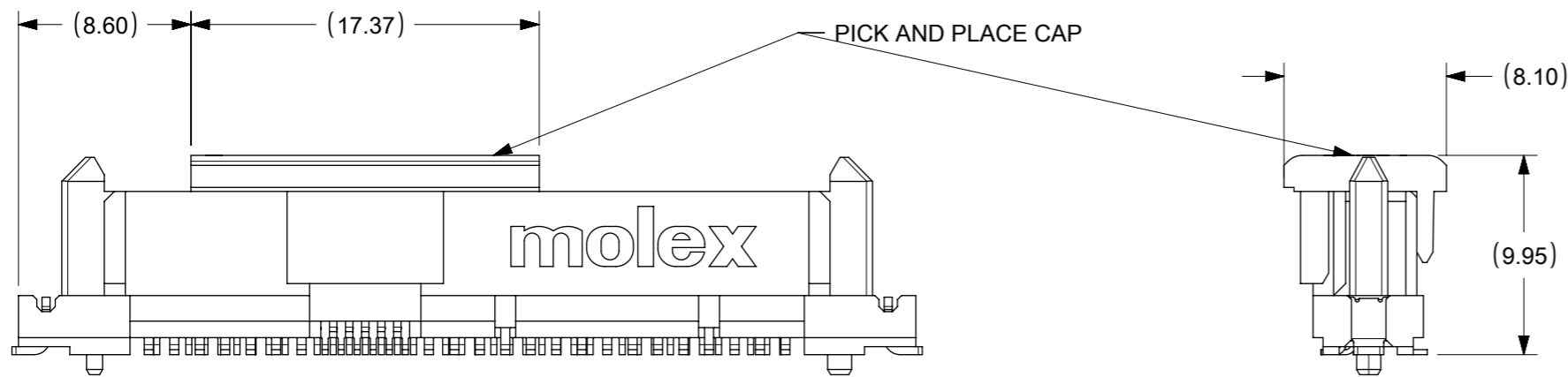
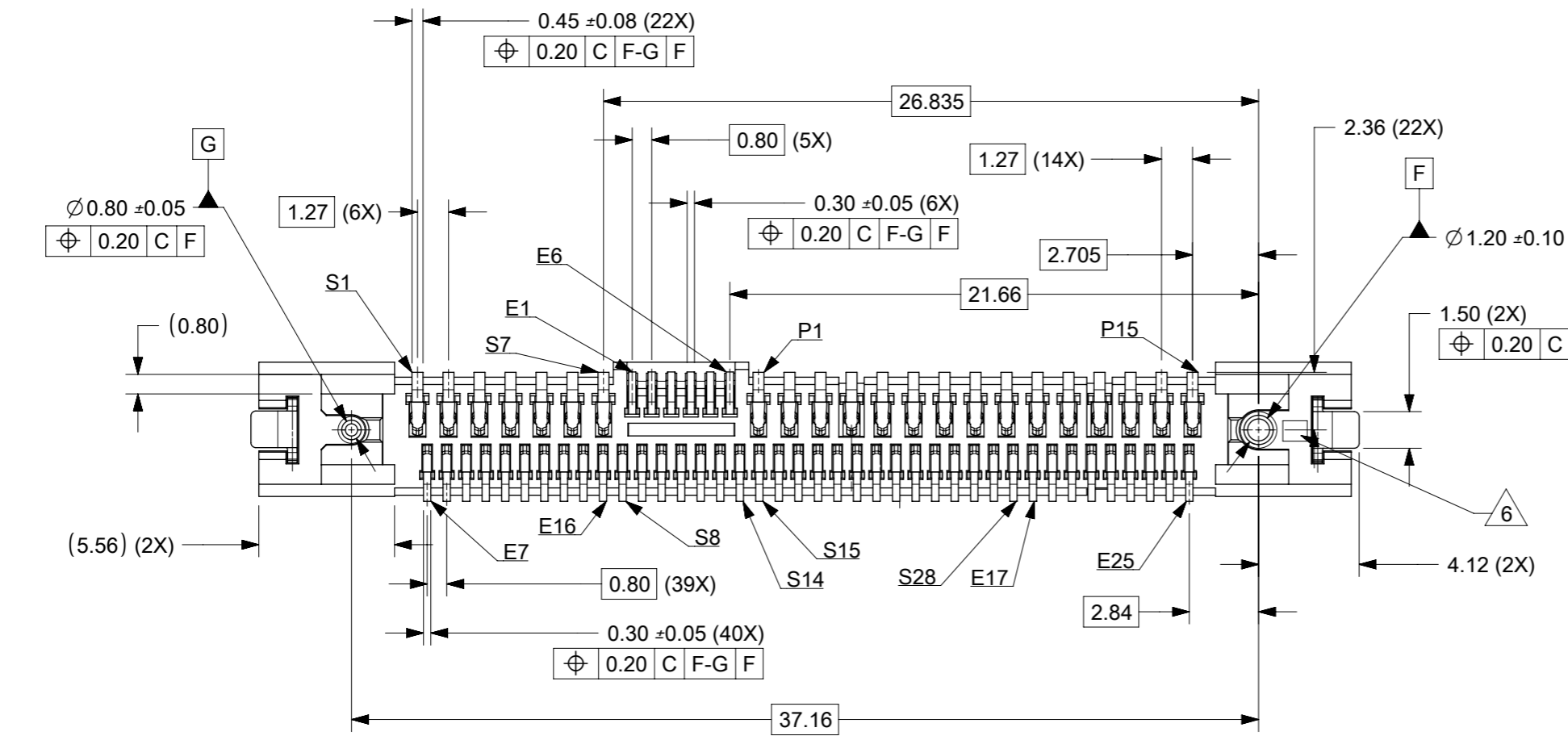
- NOTES:
- MATERIALS:  
HOUSING: LCP, GLASS FILLED, UL94V-0, COLOR: BLACK  
TERMINALS & SMT CLIP: COPPER ALLOY
  - FINISHES:  
TERMINALS:  
0.76µM MIN GOLD ON CONTACTS OVER 1.27µM MIN NICKEL UNDERPLATE.  
2.54µM MIN MATTE TIN ON SOLDER TAIL  
OVER 1.27µM MIN NICKEL UNDERPLATE.  
SMT CLIP:  
2.54µM MIN MATTE TIN OVER 1.27µM MIN NICKEL UNDERPLATE
  - PRODUCT SPECIFICATION: PS-78777-001
  - PACKAGING SPECIFICATION: PK-78777-001
  - NON FUNCTIONAL CORING TO VARIES.
  - MOLEX LOGO, DATE CODE AND CAVITY ID TO BE LOCATED APPROXIMATELY AS SHOWN.
  - PRODUCT IS COMPLIANT TO RoHS DIRECTIVE WITH THE FOLLOWING BANNED SUBSTANCES - LEAD, MERCURY, CADMIUM, HEXAVALENT CHROMIUM, POLYBROMINATED BIPHENYLS AND POLYBROMINATED DIPHENYL ETHERS.



6  
YYDDDX  
YEAR  
DAYS

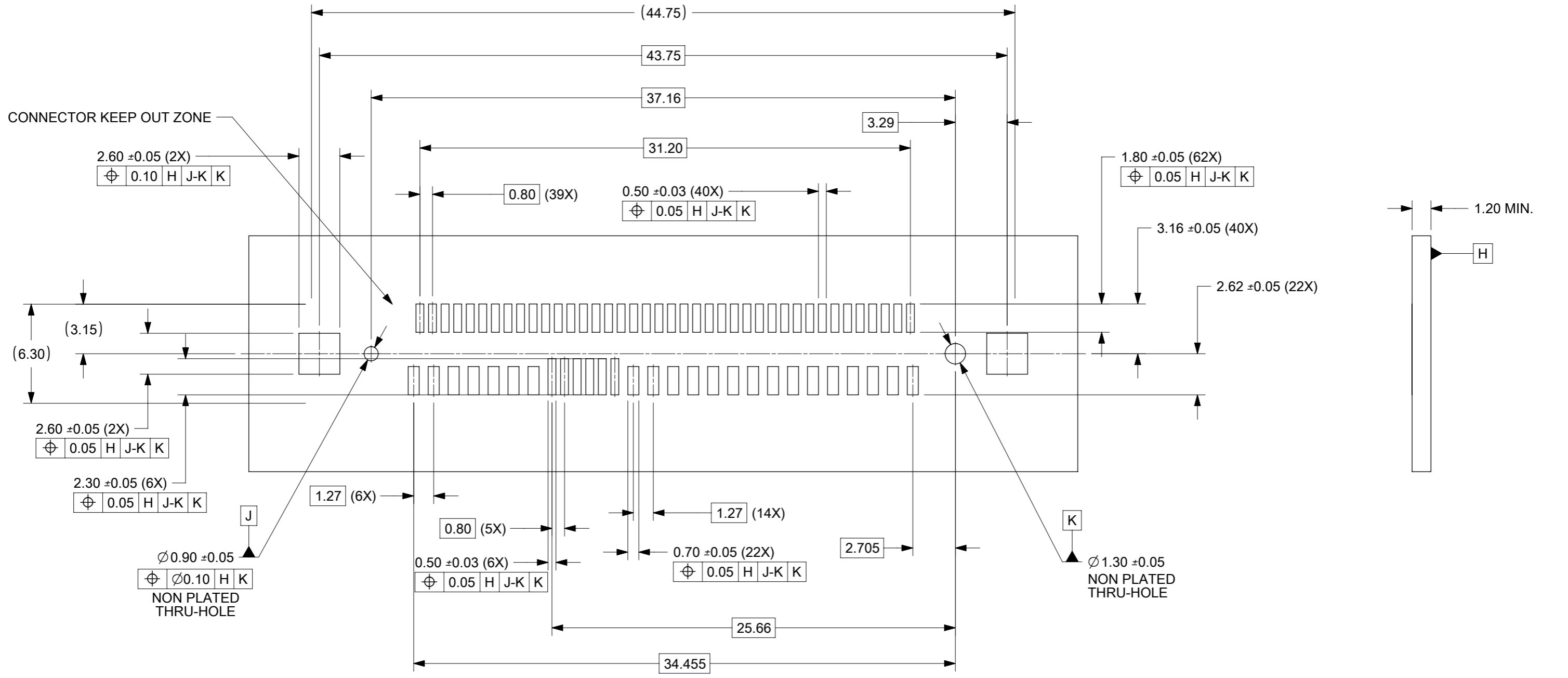
ASSEMBLY LINE CODE  
1#-EXISTING LINE  
2#-NEW LINE

THIS DRAWING CONTAINS INFORMATION THAT IS PROPRIETARY TO MOLEX ELECTRONIC TECHNOLOGIES, LLC AND SHOULD NOT BE USED WITHOUT WRITTEN PERMISSION									
DIMENSION UNITS	SCALE	CURRENT REV DESC: CORRECT DIMENSION TYPO @SHT1-C3							
mm	NTS								
GENERAL TOLERANCES (UNLESS SPECIFIED)									
ANGULAR TOL	± 3.0°	SAS / PCIE STD HEIGHT BACKPLANE SMT RECEPTACLE							
4 PLACES	±	PRODUCT CUSTOMER DRAWING							
3 PLACES	±	DOCUMENT NUMBER							
2 PLACES	± 0.2	SD-78777-201							
1 PLACE	±	DOC TYPE DOC PART REVISION							
0 PLACES	±	PSD 000 B1							
DRAFT WHERE APPLICABLE MUST REMAIN WITHIN DIMENSIONS	THIRD ANGLE PROJECTION	DRAWING	SERIES	MATERIAL NUMBER	CUSTOMER	SHEET NUMBER			
		A3-SIZE	78777	78777-5000	GENERAL MARKET	1 OF 3			

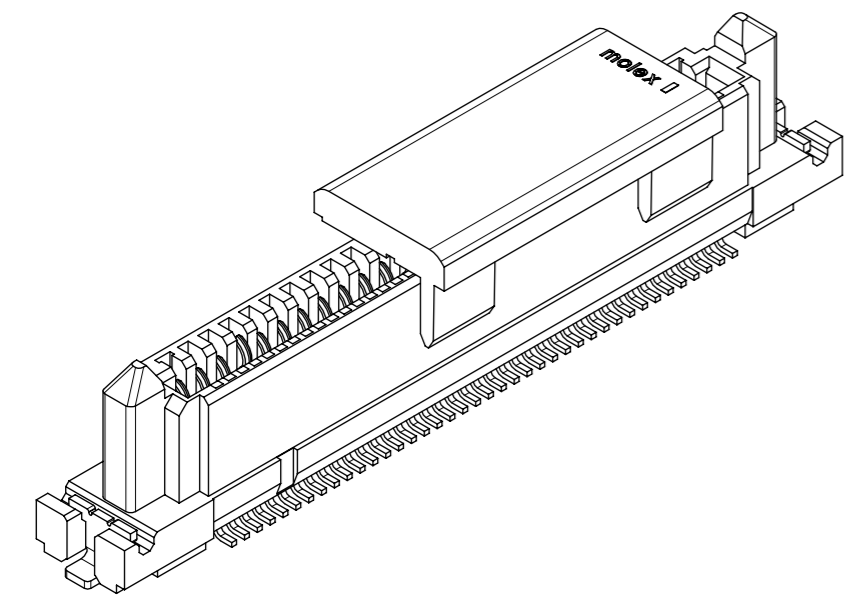


THIS DRAWING CONTAINS INFORMATION THAT IS PROPRIETARY TO MOLEX ELECTRONIC TECHNOLOGIES, LLC AND SHOULD NOT BE USED WITHOUT WRITTEN PERMISSION									
DIMENSION UNITS	SCALE	CURRENT REV DESC: CORRECT DIMENSION TYPO @SHT1-C3							
mm	NTS	<p>SAS / PCIE STD HEIGHT BACKPLANE SMT RECEPTACLE</p> <p>PRODUCT CUSTOMER DRAWING</p>							
GENERAL TOLERANCES (UNLESS SPECIFIED)									
ANGULAR TOL ± 3.0 °									
4 PLACES ±	EC NO: 638141								
3 PLACES ±	DRWN: MMALLIGEVALU 2020/05/19								
2 PLACES ± 0.2	CHK'D: CWANG25 2020/05/27								
1 PLACE ±	APPR: SHONG 2020/06/26								
0 PLACES ±	INITIAL REVISION:	DOCUMENT NUMBER		DOC TYPE	DOC PART	REVISION			
DRAFT WHERE APPLICABLE MUST REMAIN WITHIN DIMENSIONS		DRWN: NSRIVATSAHS 2016/10/01	SD-78777-201		PSD	000	B1		
THIRD ANGLE PROJECTION		APPR: SHONG 2018/06/20	MATERIAL NUMBER	CUSTOMER	SHEET NUMBER				
		DRAWING	SERIES	78777	78777-5000	GENERAL MARKET	2 OF 3		
		A3-SIZE	78777						

CONNECTOR KEEP OUT ZONE



RECOMMENDED PCB LAYOUT (COMPONENT SIDE)



THIS DRAWING CONTAINS INFORMATION THAT IS PROPRIETARY TO MOLEX ELECTRONIC TECHNOLOGIES, LLC AND SHOULD NOT BE USED WITHOUT WRITTEN PERMISSION									
DIMENSION UNITS	SCALE	CURRENT REV DESC: CORRECT DIMENSION TYPO @SHT1-C3							
mm	NTS								
GENERAL TOLERANCES (UNLESS SPECIFIED)									
ANGULAR TOL	± 3.0°	SAS / PCIE STD HEIGHT BACKPLANE SMT RECEPTACLE							
4 PLACES	±	PRODUCT CUSTOMER DRAWING							
3 PLACES	±	DOCUMENT NUMBER							
2 PLACES	± 0.2	SD-78777-201							
1 PLACE	±	DOC TYPE DOC PART REVISION							
0 PLACES	±	PSD 000 B1							
DRAFT WHERE APPLICABLE MUST REMAIN WITHIN DIMENSIONS	THIRD ANGLE PROJECTION	DRAWING	SERIES	MATERIAL NUMBER	CUSTOMER	SHEET NUMBER			
		A3-SIZE	78777	78777-5000	GENERAL MARKET	3 OF 3			

DOCUMENT STATUS	P1	RELEASE DATE	2020/06/26	00:10:30
-----------------	----	--------------	------------	----------

FORMAT: master-ib-prod-A3  
REVISION: J  
DATE: 2020/01/14