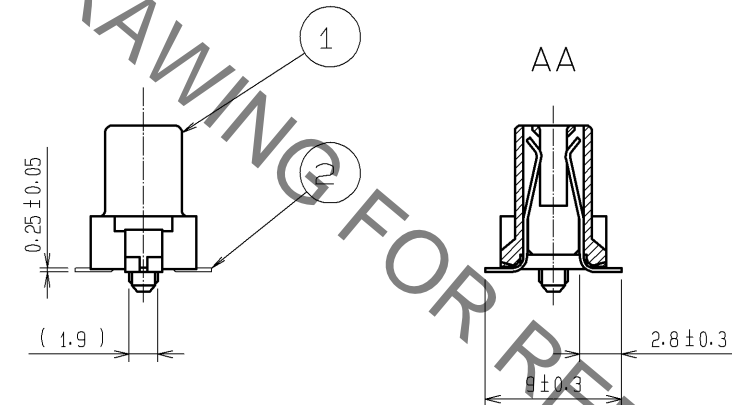
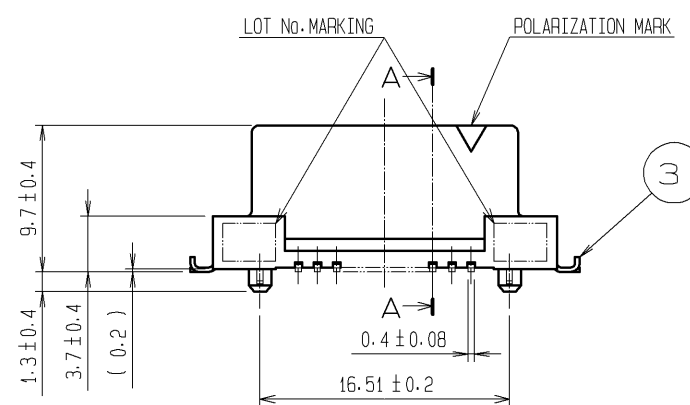
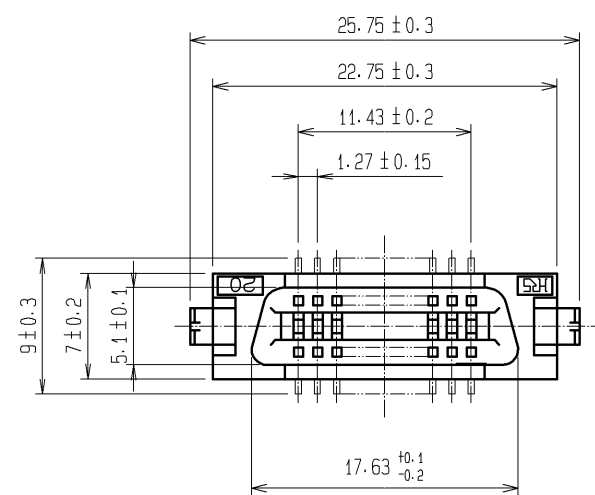
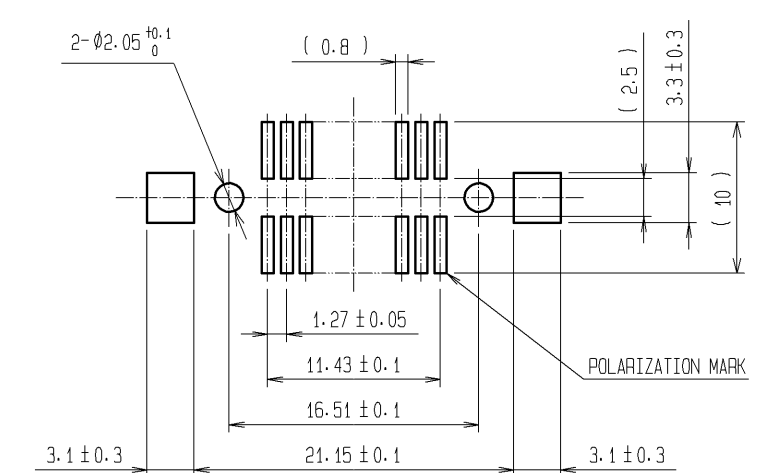


May.1.2023 Copyright 2023 HIROSE ELECTRIC CO., LTD. All Rights Reserved.
In case of consideration for using Automotive equipment / device which demand high reliability, kindly contact our sales window correspondents.



RECOMMENDED LAND PATTERN DIMENSION OF PCB (MOUNTING SIDE)
(RECOMMENDED METAL MASK THICKNESS:0.2mm)

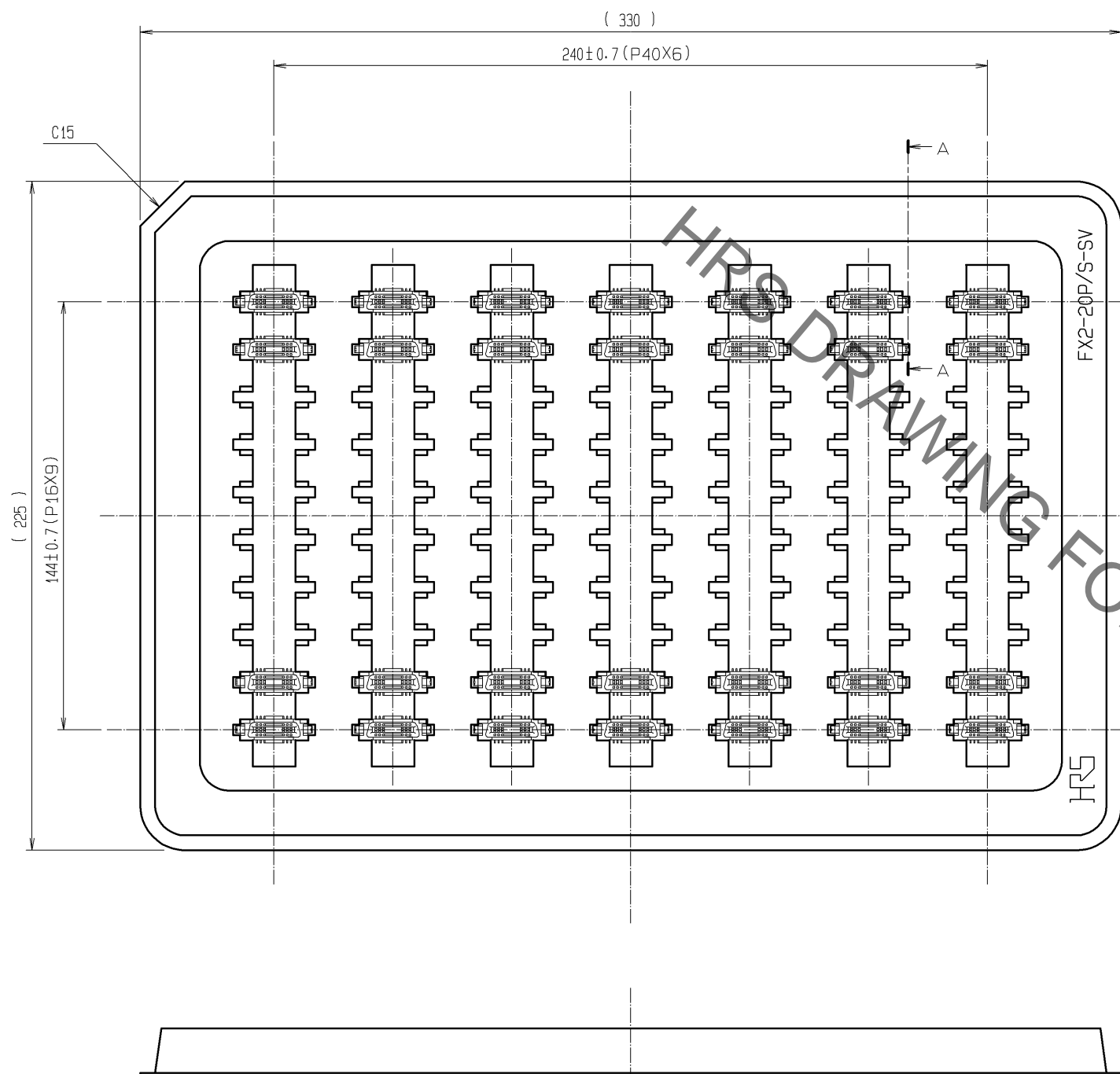


- NOTE
- 1 LEAD CO-PLANARITY SHALL BE 0.15mm MAX.
 - 2 THE DIMENSIONS IN PARENTHESES ARE FOR REFERENCE.
 - 3 TRAY PACKAGING SHALL BE APPLIED TO THIS PRODUCT. SEE NEXT PAGE FOR DETAILS.

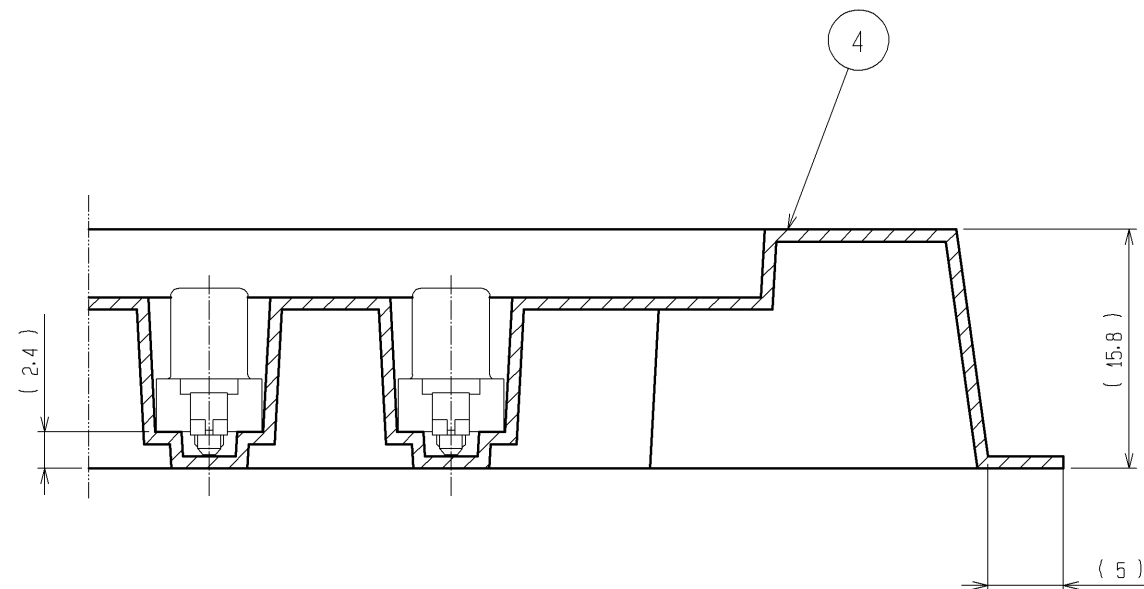
2	PHOSPHOR BRONZE	CONTACT AREA:GOLD 0.2μm min.	4	PS	TRAY			
		LEAD AREA:TIN-PLATING 2μm min.						
1	PPS	UNDER PLATING:NICKEL 1.5μm min.	3	BRASS	TIN-PLATING			
		LIGHT BROWN (UL94V-0)						
NO.	MATERIAL	FINISH . REMARKS	NO.	MATERIAL	FINISH . REMARKS			
UNITS mm		SCALE 2 : 1		COUNT	DESCRIPTION OF REVISIONS	DESIGNED	CHECKED	DATE
HRS HIROSE ELECTRIC CO., LTD.		APPROVED : HS. OKAWA	11.06.22	DRAWING NO. EDC3-082756-25				
		CHECKED : HT. YAMAGUCHI	11.06.22	PART NO. FX2-20S-1.27SVL(95)				
		DESIGNED : SY. KAMIGA	11.06.22	CODE NO. CL572-2151-1-95				
		DRAWN : HK. SUNADORI	11.06.21					

May.1.2023 Copyright 2023 HIROSE ELECTRIC CO., LTD. All Rights Reserved.
In case of consideration for using Automotive equipment / device which demand high reliability, kindly contact our sales window correspondents.

DRAWING FOR PACKING(1:2)



A-A (2:1)



- NOTE 1 1 TRAY:70 CONNECTORS
2 SETTING POSITION OF CONNECTORS IN THE TRAY SHALL BE ARRANGED IN ACCORDANCE WITH DRAWING.
3 THE DIMENSIONS IN PARENTHESSES ARE FOR REFERENCE.

HRS	DRAWING NO.	EDC3-082756-25
	PART NO.	FX2-20S-1.27SVL(95)
	CODE NO.	CL572-2151-1-95
		△ 2/2