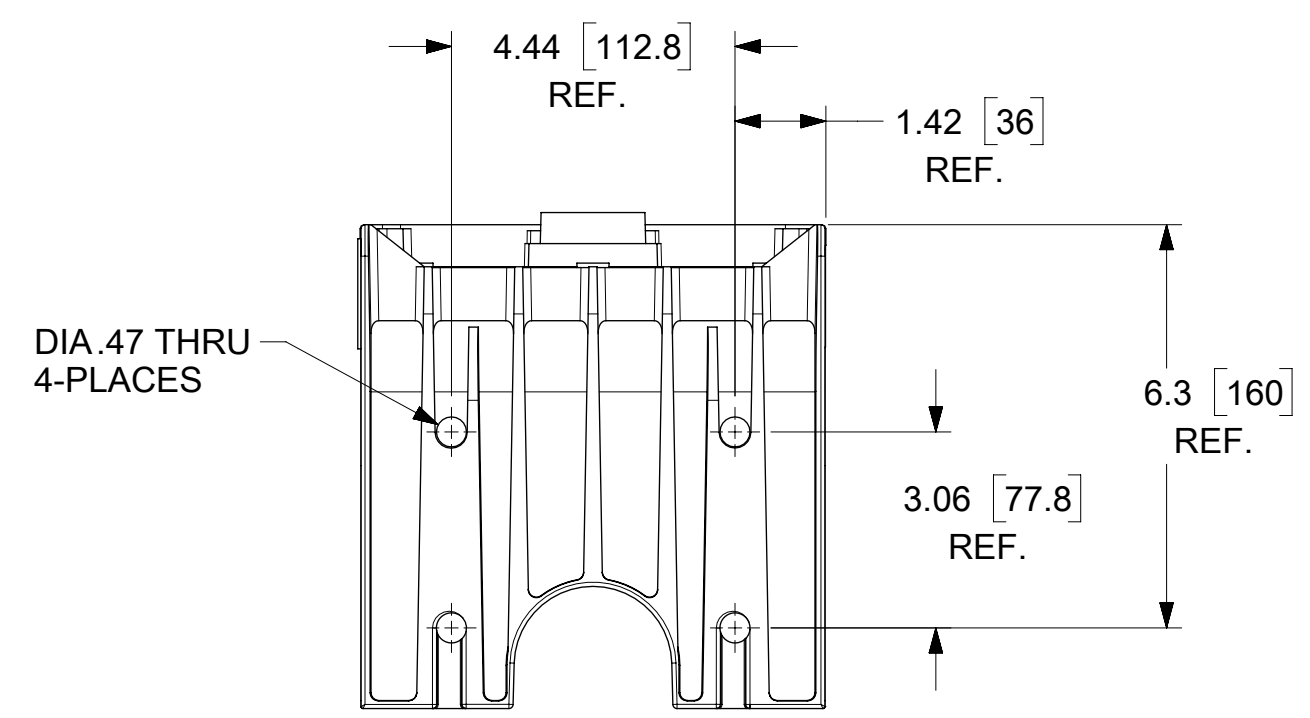
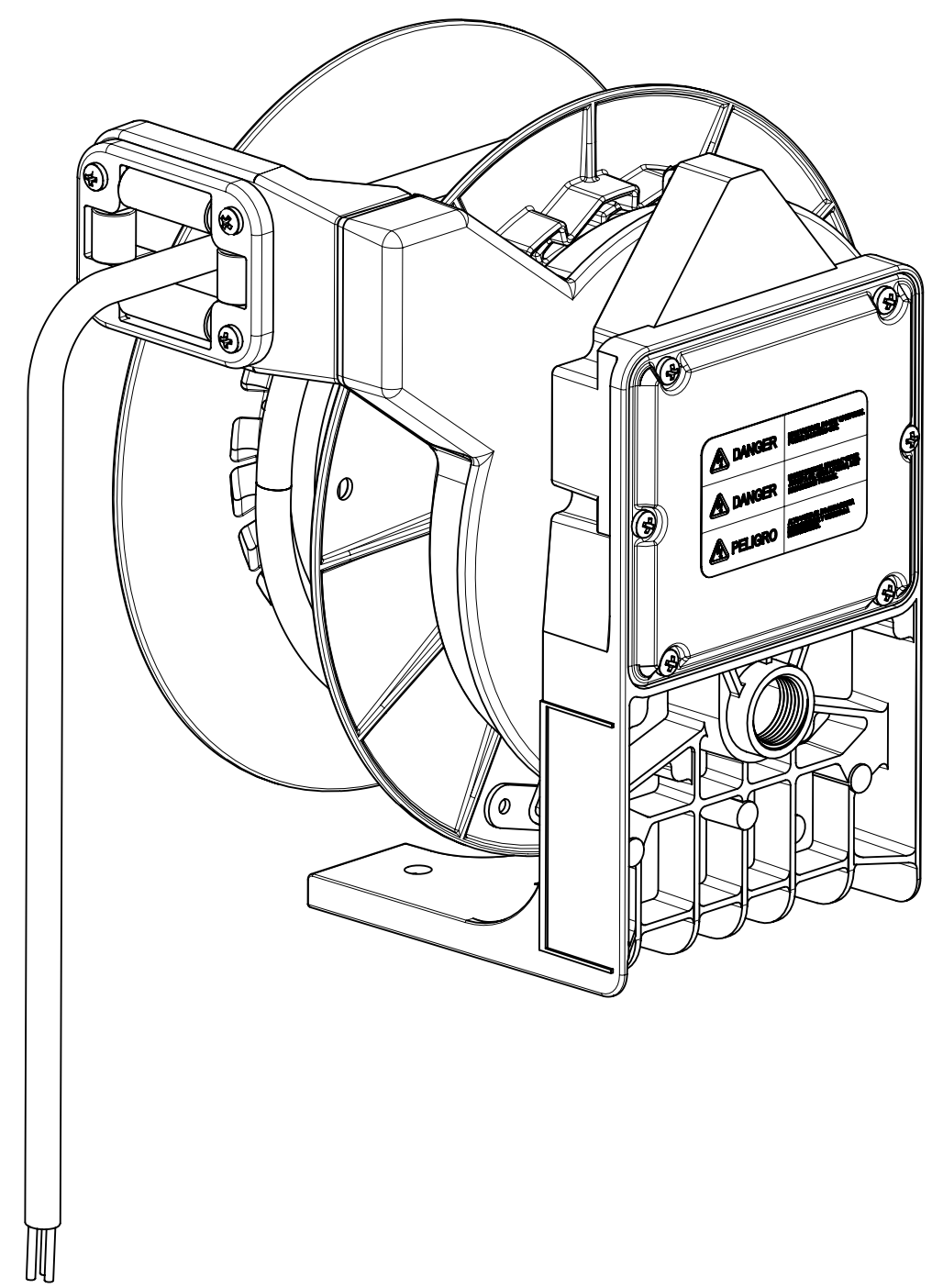
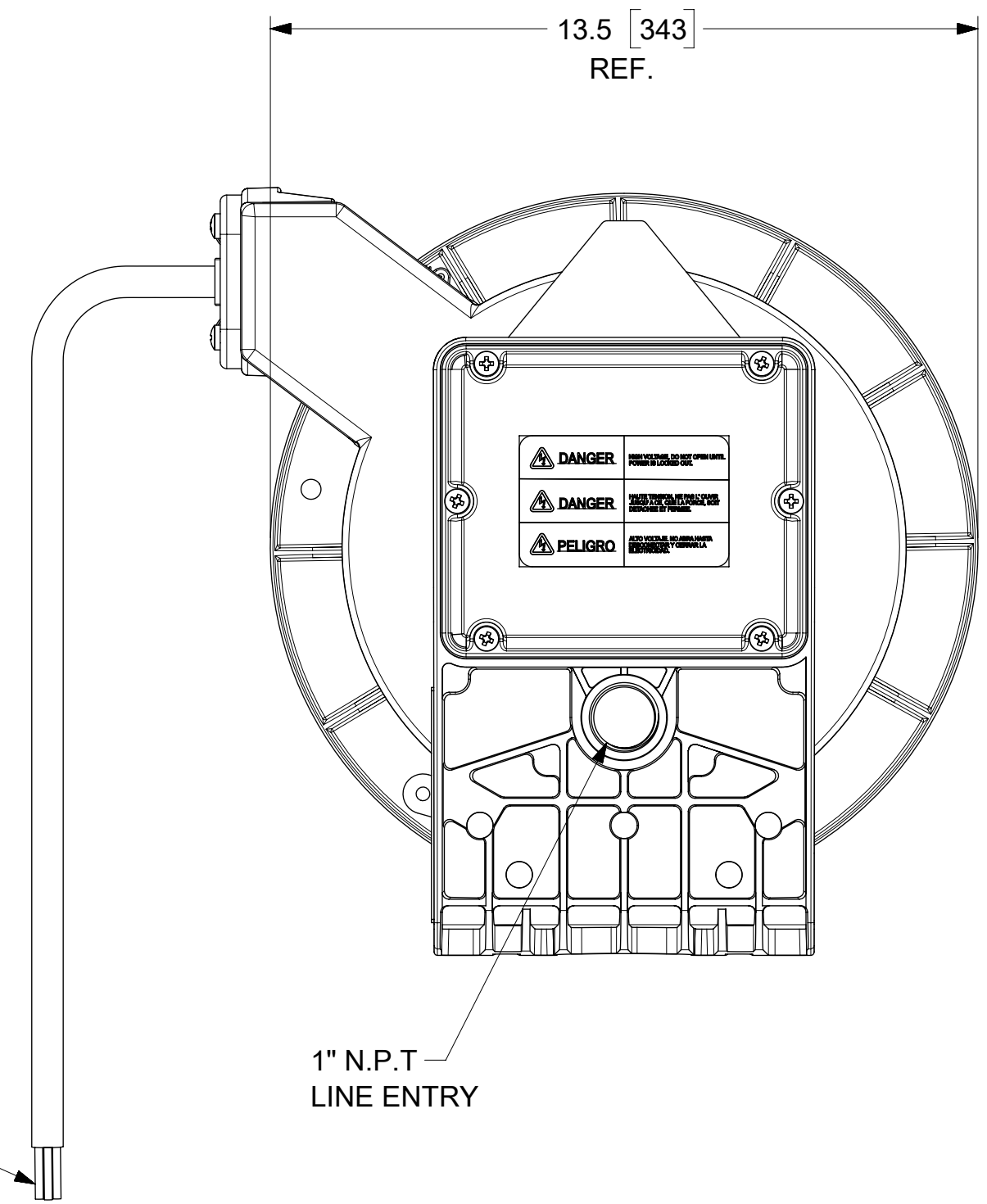
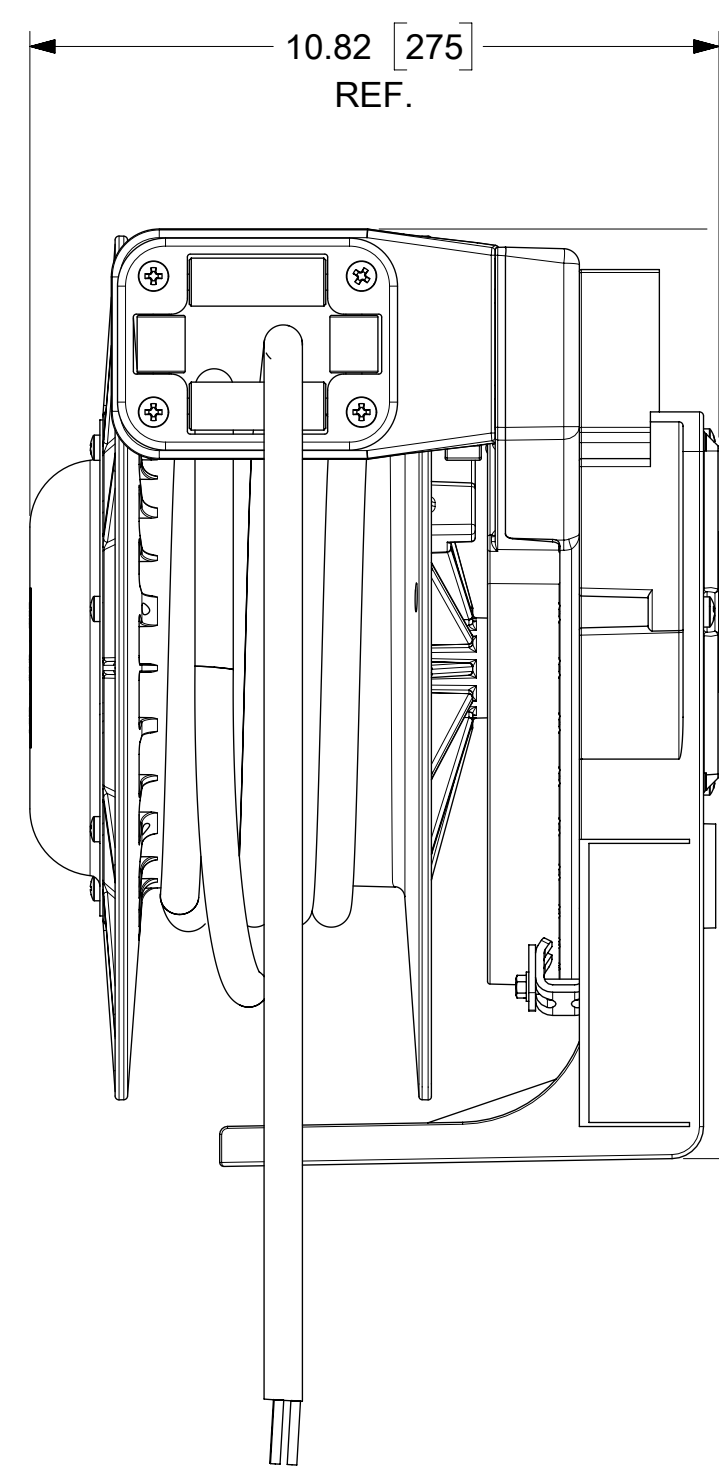


ORDER NO	130083-0238
WOODHEAD ENG. NO	92464
WIRE GAUGE	10
CONDUCTORS	6
AMPERAGE	14A
WORKING CORD	20 FT. BLACK
CORD TYPE	SOOW
CONSTRUCTION	HEAVY WALL CAST ALUMINUM
PAINT	YELLOW POWDER COAT
REEL ENCLOSURE RATING	NEMA 4 INDOOR / OUTDOOR
RETRACTION WEIGHT	4.0 LB [1.8 KG]



BOTTOM VIEW

- NOTES:**
- CABLE GUIDE IS ADJUSTABLE EVERY 5 DEGREES OVER 270 DEGREE ARC.
 - RATCHET LOCK IS EASY TO DISENGAGE FOR CONSTANT TENSION.
 - REEL CANNOT BE "LOCKED OUT" AT FULL EXTENSION.

FUNCTIONAL SYMBOLS	THIS DRAWING CONTAINS INFORMATION THAT IS PROPRIETARY TO MOLEX ELECTRONIC TECHNOLOGIES, LLC AND SHOULD NOT BE USED WITHOUT WRITTEN PERMISSION			
	DIMENSION UNITS	SCALE		CURRENT REV DESC: RELEASE CUSTOMER DRAWING
$\frac{F}{A} = 0$	INCH/MM	NTS		<p>EC NO: 674250</p> <p>DRWN: VHANDI 2020/07/17</p> <p>CHK'D: DSOPPIN 2022/05/11</p> <p>APPR: HKNEELAND 2022/05/13</p> <p>INITIAL REVISION:</p> <p>DRWN: VHANDI 2020/07/17</p> <p>APPR: HKNEELAND 2022/05/13</p>
$\frac{F}{C} = 0$	GENERAL TOLERANCES (UNLESS SPECIFIED)			
$\frac{F}{D} = 0$		MM	INCH	
DIVISIONAL SYMBOLS	4 PLACES	±	±	
	3 PLACES	±	± 0.005	
	2 PLACES	± 0.13	± 0.01	
	1 PLACE	± 0.25	± 0.02	
	0 PLACES	±	±	
	ANGULAR TOL	± 0.5°		
	DRAFT WHERE APPLICABLE MUST REMAIN WITHIN DIMENSIONS	THIRD ANGLE PROJECTION	DRAWING C-SIZE	SERIES 130083

CABLE REEL - INDUSTRIAL DUTY 20' #10-6 SOOW

PRODUCT CUSTOMER DRAWING

DOCUMENT NUMBER	DOC TYPE	DOC PART	REVISION
1300830238	PSD	000	A

MATERIAL NUMBER	CUSTOMER	SHEET NUMBER
SEE TABLE	GENERAL MARKET	1 OF 1