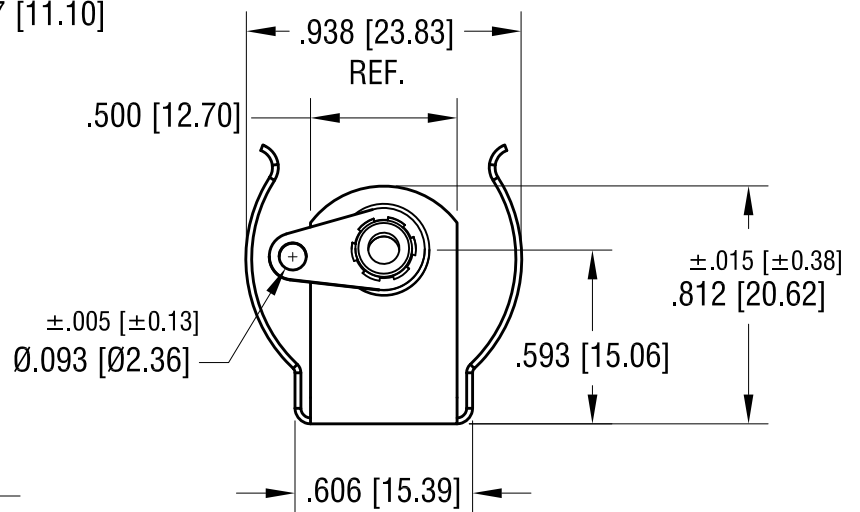
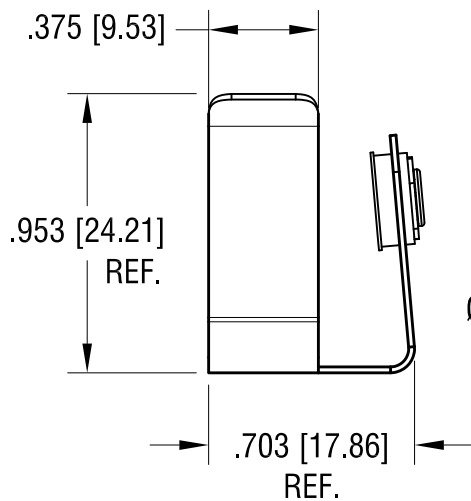
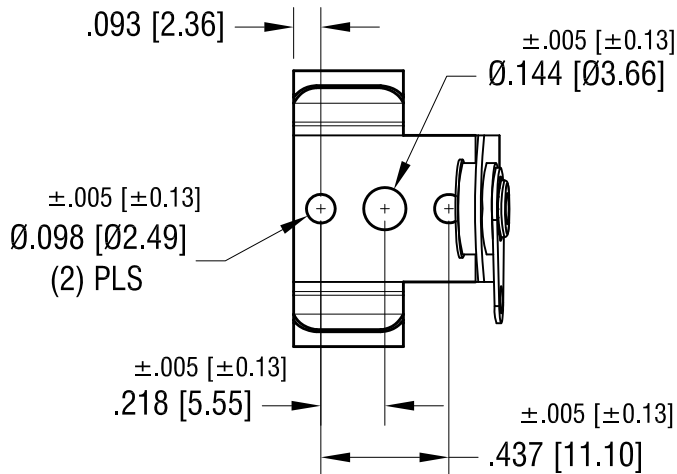
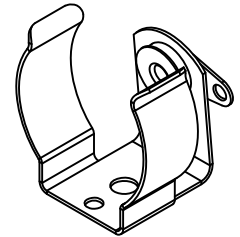


THIS DOCUMENT IS THE PROPERTY OF  
KEYSTONE ELECTRONICS CORP. AND  
SHALL NOT BE REPRODUCED, DISTRIBUTED  
OR USED AS A BASIS FOR MANUFACTURE  
WITHOUT PRIOR WRITTEN PERMISSION  
FROM KEYSTONE ELECTRONICS CORP.

**ACTUAL SIZE**



**NOTE:**

1. CLIP: MAT'L- .020 [0.50] TH'K SPRING STEEL  
HEAT TREAT TO SPRING TEMPER  
FINISH- NICKEL PLATE
2. CONTACT EYELET:  
BRASS, NICKEL PLATE

3. INSULATING WASHER:  
MAT'L- VULCANIZED FIBRE
4. TERMINAL LUG:  
MAT'L- BRASS. TIN PLATED

**KEYSTONE ELECTRONICS CORP.**

www.keyelco.com • NEW HYDE PARK, NY 11040 • Tel (516) 328-7500

PART NAME		'C' CELL END CLIP	
MATERIAL		AS NOTED	
FINISH	AS NOTED	DRN BY	BOONE
		APP'D	LN
		DATE	10.28.81
		SCALE	1.5X
TOLERANCES	INCH [MM]	CODE	DWG NO.
DECIMAL	± .010 [± 0.25]	C	87
ANGULAR	± 1°		
UNLESS OTHERWISE SPECIFIED			

6.14.04	ECN 04-047 NEW DRAWING	C
DATE	DESCRIPTION	REV.